



Type 6212 can be combined with...



Type 2506

Cable plug

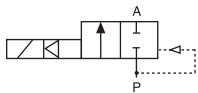


Type 2510

ASI cable plug

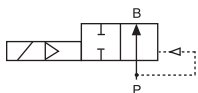
2/2-way solenoid valve with servo-diaphragm and 3-way pilot control with medium separation. Available in the circuit functions NC and NO. The medium separation in the pilot valve enables the valve to be used for slightly aggressive medium. (e.g. deionised water)

Circuit Function A



2/2-way flow valve, normally closed (NC), with 3 way rocker solenoid valve.

Circuit Function B



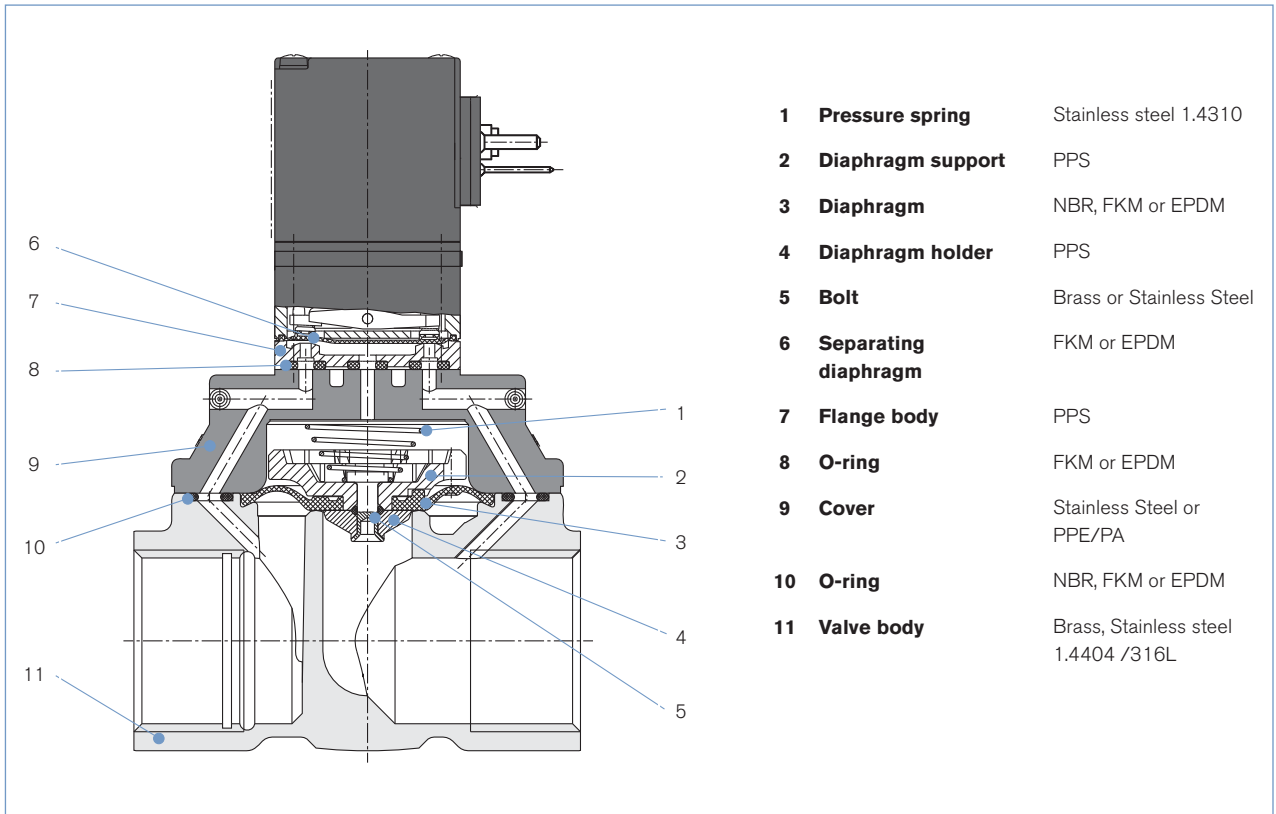
2/2-way flow valve, normally open (NO), with 3 way rocker solenoid valve.

2/2-way Solenoid Valve with servo diaphragm

- Medium separation
- Waterhammer-free, low noise
- Low power consumption
- Stainless steel body for partially aggressive medium
- NC and NO circuit function

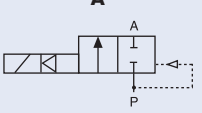
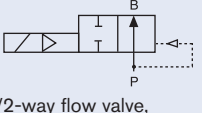
Technical data	
Orifice	DN 10 - 20 mm
Body material	Brass or stainless steel 1.4404
Body cover and internal part	PPE/PA
Pilot flange body	Stainless steel 1.4404
Seal material	PPS
Medium	NBR, EPDM, FKM
Medium temperature	Neutral medium, such as compressed air, water, hydraulic oil Oil and fat-free medium Per-solutions, oil, fat, diluted acids
Ambient temperature	Up to +55 °C
Operating voltage/ power consumption	0 to +50 °C -10 to +50 °C 0 to +50 °C
Voltage tolerance	24 V/DC (3.4 W), for AC, use cable plug with rectifier; 110-120 V/UC (4 W), 230-240 V/UC (4 W) (on request)
Duty cycle	±10 %
Electrical connection	100% continuous rating (operating with 24V/DC) 40%, 20 min. intermittent duty (operating with 110-120 V/UC, 230-240 V/UC)
Cable plug	Tag connector acc. DIN EN 175301-803 C (previously DIN 43650)
Protection class	Tag connector sideways at 24 V/DC Tag connector above at 110/230 V/UC (see dimensions page 4)
Installation	Types 2506 and 2510 (see Accessories)
Response times	IP 65 with cable plug
Opening	As required, preferably with actuator upright
Closing	0.1 up to 0.5 s 0.2 up to 2.2 s

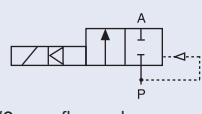
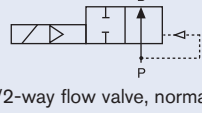
Materials



Ordering chart for valves (other versions on request)

Cable plug is not included in delivery. Please order separate. (see accessories)

Circuit function	Pressure range [bar]	Orifice [mm]	Weight [kg]	Port connection	Kv-value water [m ³ /h]	Voltage/Frequency [V/Hz]	Item no. PPE/PA-Cover NBR-Seal	Item no. PPE/PA-Cover FKM-Seal	Item no. PPE/PA-Cover EPDM-Seal
Valves with brass body; cover material PPE/PA; different sealing materials									
 <p>2/2-way flow valve, normally closed</p>	0.2 - 10 *	10	0.31	G 3/8	1.9	024/DC	138 930	138 933	138 936
				G 1/2	1.9	024/DC	138 943	138 946	138 949
		13	0.44	G 1/2	3.6	024/DC	138 956	138 959	138 962
				G 3/4	3.6	024/DC	138 968	138 971	138 974
				G 3/4	8.3	024/DC	138 980	138 983	138 986
				G 1	8.3	024/DC	138 992	138 995	138 998
 <p>2/2-way flow valve, normally open</p>	0.2 - 6 *	10	0.31	G 3/8	1.9	024/DC	139 602	139 605	139 608
				G 1/2	1.9	024/DC	139 612	139 615	139 618
		13	0.44	G 1/2	3.6	024/DC	139 622	139 625	139 628
				G 3/4	3.6	024/DC	139 632	139 635	139 638
				G 3/4	8.3	024/DC	139 642	139 645	139 648
				G 1	8.3	024/DC	139 652	139 655	139 658

Circuit function	Pressure range [bar]	Orifice [mm]	Weight [kg]	Port connection	Kv-value water [m ³ /h]	Voltage/Frequency [V/Hz]	Item no. PPE/PA-Cover NBR-Seal	Item no. Stainless steel-Cover FKM-Seal	Item no. Stainless steel-Cover EPDM-Seal
Valves with Stainless steel body; different cover and sealing materials									
 <p>2/2-way flow valve, normally closed</p>	0.2 - 10 *	10	0.31	G 3/8	1.9	024/DC	140 693	139 578	140 669
				G 1/2	1.9	024/DC	140 696	139 582	140 673
		13	0.44	G 1/2	3.6	024/DC	140 699	139 586	140 677
				G 3/4	3.6	024/DC	140 702	139 590	140 681
				G 3/4	8.3	024/DC	140 705	139 594	140 685
				G 1	8.3	024/DC	140 708	139 598	140 689
 <p>2/2-way flow valve, normally open</p>	0.2 - 6 *	10	0.31	G 3/8	1.9	024/DC	140 735	139 662	140 711
				G 1/2	1.9	024/DC	140 738	139 666	140 715
		13	0.44	G 1/2	3.6	024/DC	140 741	139 670	140 719
				G 3/4	3.6	024/DC	140 744	139 674	140 723
				G 3/4	8.3	024/DC	140 748	139 678	140 727
				G 1	8.3	024/DC	140 751	139 682	140 731

* A differential pressure of 0.5 bar is necessary to open to the full orifice.

On request 110-120 V and 230-240 V coils both with an integrated rectifier and a varistor. They are therefore suitable for use with both direct and alternating voltage. For this version, please use only the cable plug without electronics.

i Further versions on request



Voltages

Non standard voltages, 110-120 V, 230-240 V



Approvals

UR/ CSA approval

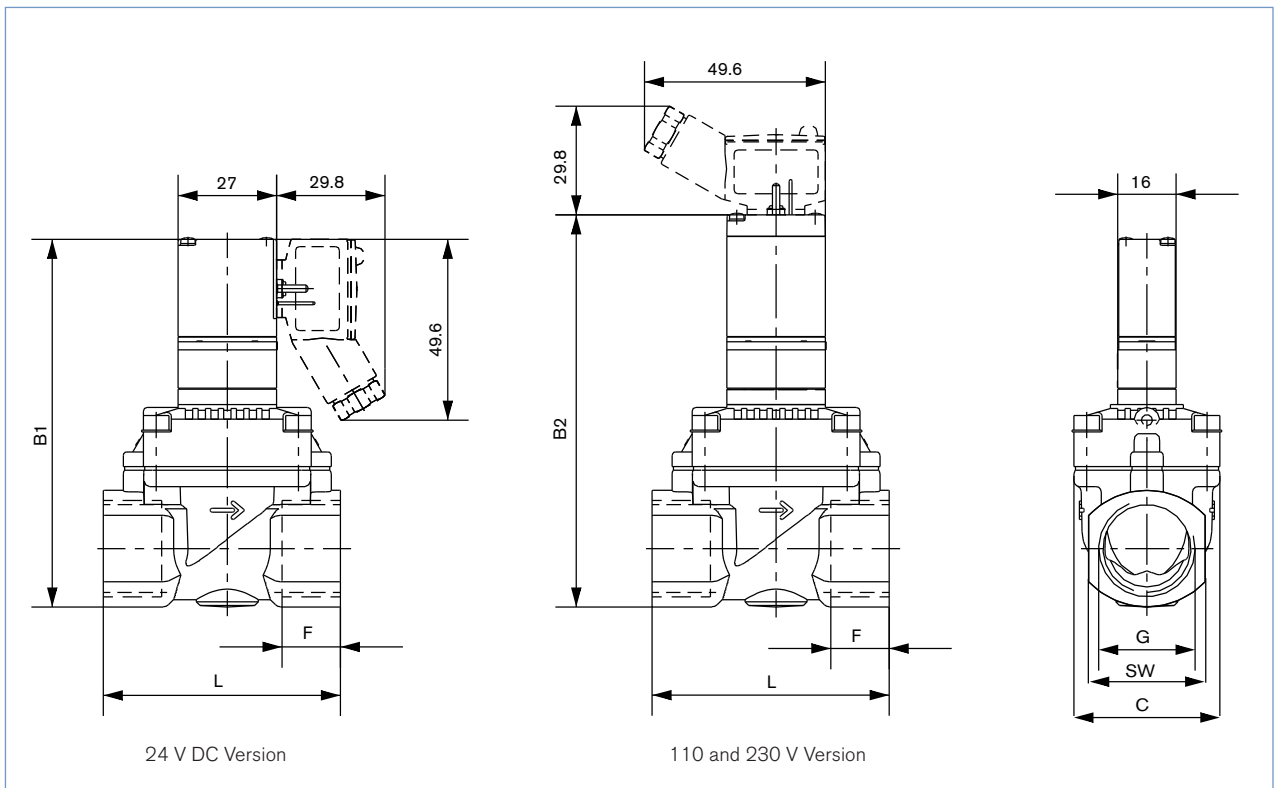
Ordering table for accessories - Connector acc. to DIN EN 175301-803 (previously DIN 43650) Form C

Included in delivery is a connector with flat seal and fixing screw. Further Versions with circuit protection, see datasheet Type 2506.

Circuit	Voltage	Item no. Type 2506
without Circuit (standard)	0 - 250 V DC	008 353
with LED	12 - 24 V DC	008 402
with LED and varistor	12 - 24 V DC	008 408
with rectifier, LED and varistor	12 - 24 V AC/DC	008 354
further versions	see datasheet Type 2506	



Dimensions [mm]



Tag conn. sideways			Tag conn. above				
DN	G	B1	B2	C	F	L	SW
10	G 3/8	94.5	101	32	12	55	27
10	G 1/2	94.5	101	32	14	55	27
13	G 1/2	100.0	106.5	40	14	65	32
13	G 3/4	100.0	106.5	40	16	65	32
20	G 3/4	114.5	121	60	16	100	41
20	G 1	114.5	121	60	18	100	41

In case of special application conditions, please consult for advice.

We reserve the right to make technical changes without notice.

1310/3_EU-en_00891749