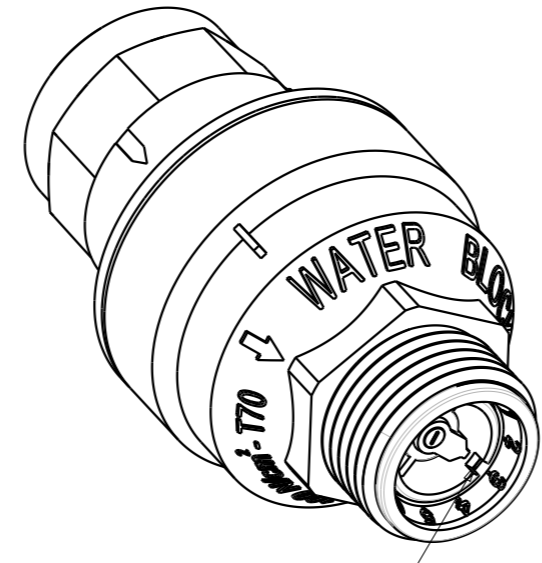
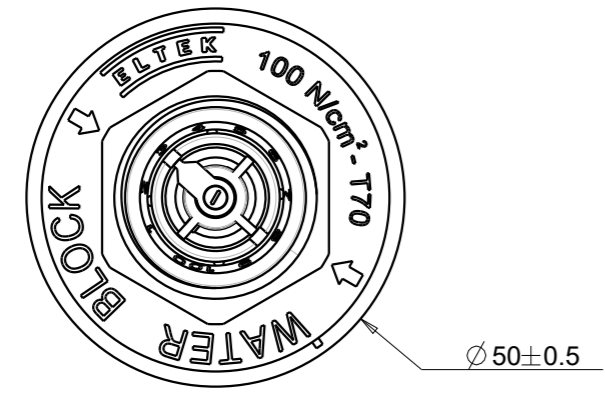
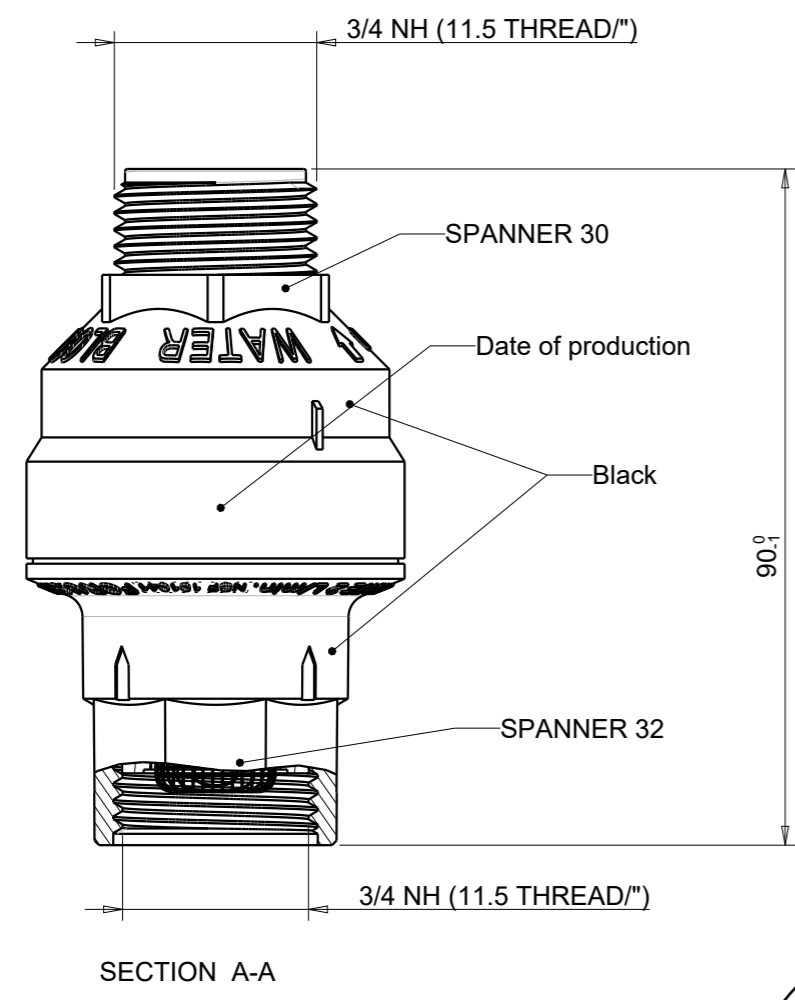
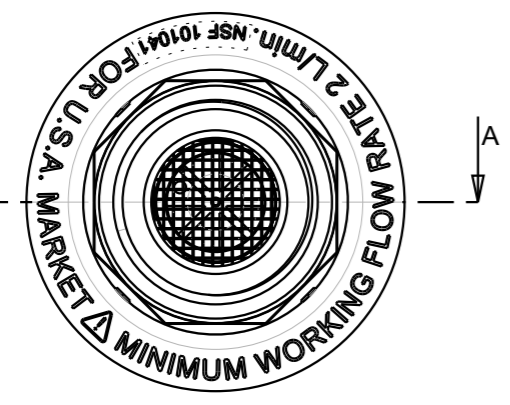


Il fornitore e' tenuto a richiedere le prescrizioni riguardanti la simbologia sulle dimensioni \bullet , \circ , \square e copia della specifica accettazione materiali n. 83.0117.00. Il simbolo \diamond si riferisce alle zone/quote modificate. The supplier is obliged to request the prescription regarding symbols on the dimensions \bullet , \circ , \square and a copy of the specification concerning materials acceptance n. 83.0117.00. The symbol \diamond refers to modified area/dimensions.

Questo documento e le informazioni in esso contenute sono di proprieta' ELTEK SpA e devono considerarsi di natura riservata. Pertanto ne e' vietato qualsiasi tipo di utilizzo non preventivamente autorizzato da ELTEK SpA. This document and the information in it contained are property of ELTEK SpA and, as such, they are to be considered reserved. Therefore, any reproduction in any form or by any means, without prior written permission of ELTEK SpA, is forbidden.

General tolerances	120+	180	± 0.27
	80+	120	± 0.23
	50+	80	± 0.19
	30+	50	± 0.16
	18+	30	± 0.13
	< 18		± 0.10
Angles			$\pm 2^\circ$



Bush setting position N° 3

Regulator
eltek code 25.0118.00



Packaging

Instruction sheet eltek code 15.0150.05 \diamond

WATER BLOCK SAFETY VALVE
The WATER BLOCK is an indicator of the flow rate of the water supply. It is designed to be used in conjunction with the water supply system. It is a safety device that prevents the water supply from exceeding the maximum flow rate. It is a safety device that prevents the water supply from exceeding the maximum flow rate. It is a safety device that prevents the water supply from exceeding the maximum flow rate.

PRECAUTIONS
Do not use the WATER BLOCK in conjunction with the water supply system. Do not use the WATER BLOCK in conjunction with the water supply system. Do not use the WATER BLOCK in conjunction with the water supply system.

ADDITIONAL WARNINGS AND PRECAUTIONS
Do not use the WATER BLOCK in conjunction with the water supply system. Do not use the WATER BLOCK in conjunction with the water supply system. Do not use the WATER BLOCK in conjunction with the water supply system.

NO SCALE

Box dimensions: 50.5X50.5X93
Eltek code 15.0087.05



TECHNICAL FEATURES	
BURSTING PRESSURE	500 N/cm ²
OPERATING CAPACITY	2 + 30 litres/minute
EXTERNAL VOLUMES SETTING	5 + 50 litres 0/-20%
FLUID TEMPERATURE ON CONTINUOUS SERVICE	70° C
MINIMUM WORKING FLOW RATE	2 litres/minute

For technical data refer to technical specification code 82.1041.00

N°200 Water Block in each box 540X280X410
EAN CODE: 8051938030005

Approvals:
NSF



				Drawn: SEGALINI	
				Date: 12/10/12	
				Checked: SAVINI	
				Date: 22/12/20	
				Scale: 1:1	
03/A	Update instruction sheet code 15015005 (it was 15015000)	22/12/20	SEGALINI	Volume:	
02	Update instruction sheet code 15015000 (it was 15015005), box graphic, EAN code and approvals	23/09/19	SEGALINI	[mm ³]	
01	Update instruction sheet	14/06/17	SEGALINI	Weight [g]: 73.00	
Rev	Modification Description	Date	By	Weight [g]:	73.00
Drawing Size	First angle projection	Material	Replace		Index
A3		Colour	-		-
		Description	Code		Index
ELTEK S.p.A. - Casale Monf. ITALY		AXIAL FLOW WATER-BLOCK (N°200 PIECES)	10.1041.00.03		A