

**Type code** PRA-DA-040-0685-0-2-2-1-1-1-BAS  
**Material number** R480071030

**Description**

|                            |             |   |
|----------------------------|-------------|---|
| Series                     | <b>PRA</b>  | Profile cylinder - series PRA           |
| Piston diameter            | <b>040</b>  | Piston diameter 40                      |
| Stroke                     | <b>0685</b> | Stroke in mm                            |
| Threads                    | <b>0</b>    | ISO Threads                             |
| Cushioning                 | <b>2</b>    | Pneumatic cushioning                    |
| Piston                     | <b>2</b>    | Piston with magnet ring                 |
| Piston rod                 | <b>1</b>    | Single                                  |
| Sealings                   | <b>1</b>    | Sealings - standard PUR (-20°C to 80°C) |
| Scraper                    | <b>1</b>    | Scraper - Standard PUR                  |
| Corrosion protection       | <b>1</b>    | Standard                                |
| Piston rod extension       | <b>0</b>    | Without piston rod extension            |
| ATEX                       | <b>000</b>  | Without ATEX                            |
| Trunnion mounting          | <b>0</b>    | Without trunnion mounting               |
| Position trunnion mounting | <b>0</b>    |   |
| End covers                 | <b>0</b>    | End covers without surface treatment    |
| Port position              |             |   |
| Port position front        | <b>0</b>    | 0° (12h)                                |
| Port position rear         | <b>0</b>    | 0° (12h)                                |



**Accessories**

|                            |            |                                     |
|----------------------------|------------|-------------------------------------|
| Piston rod mountings       | <b>000</b> | No mounting                         |
| Mounting at front cover    | <b>000</b> | No mounting at front cover          |
| Mounting orientation front | <b>00</b>  | Without mounting                    |
| Mounting at rear cover     | <b>000</b> | No mounting at rear cover           |
| Mounting orientation rear  | <b>00</b>  | Without mounting                    |
| Counter bearing            | <b>000</b> | No counter bearing                  |
| Guide units                | <b>000</b> | No guiding unit, no locking element |
| Sensor type                | <b>000</b> | Without Sensor                      |
| Sensor position            | <b>00</b>  | Without sensor position             |
| Fittings front             | <b>000</b> | Front cover - without fitting       |
| Fittings rear              | <b>000</b> | Rear cover - without fitting        |

**Note:**

A specific part number is required for ordering and clearly identifying the configured product. If the part number is not shown under the type code, please save your configuration under "Save project".

**Spare parts**

|                           |                   |                               |
|---------------------------|-------------------|-------------------------------|
| Piston rod                |                   | PISTON ROD 040-0685-0-2-1-1-1 |
| Tube                      |                   | TUBE PRA-040-0685-0-1-1       |
| Spare part kit - standard | <b>1827009564</b> | SPARE PART KIT TRB-PRX-040-ST |

Type code PRA-DA-040-0685-0-2-2-1-1-1-BAS  
Material number R480071030

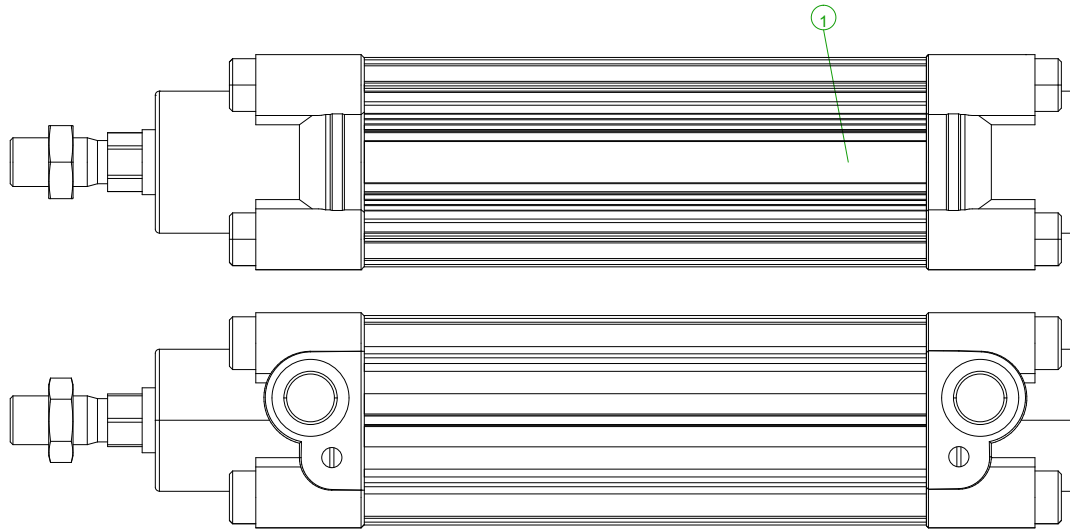


Please click on the image to activate the 3D model.  
We are not liable for this 3D model since it has been generated automatically.

© Alle Rechte bei AVENTICS S.p.A., auch für den Fall von Schutzrechtsanmeldungen. Jede Verfügungsbefugnis, wie Kopier- und Weitergaberecht, bei uns.

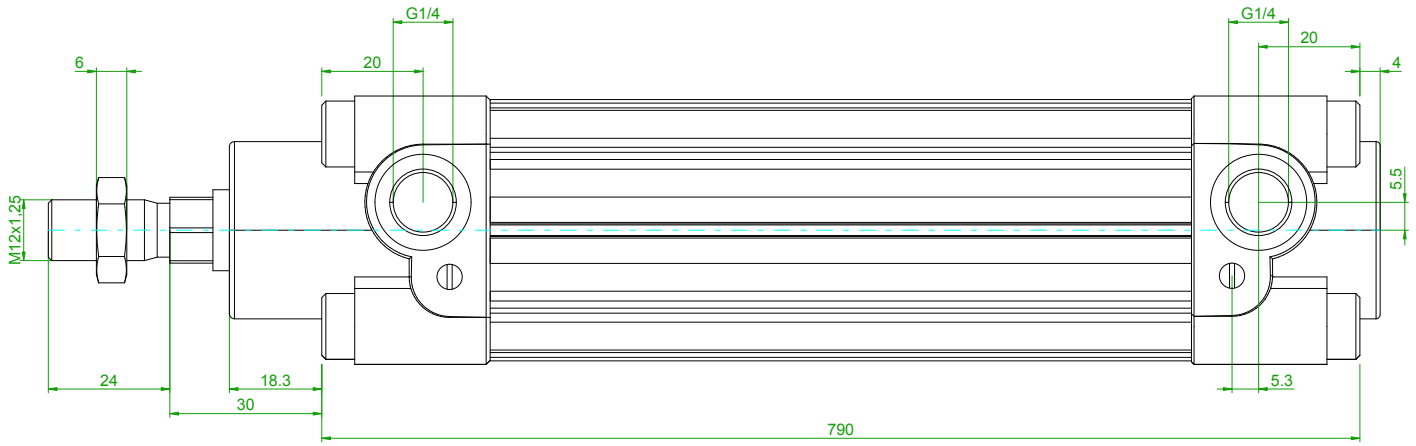
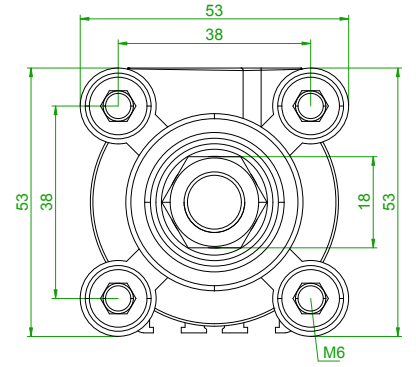
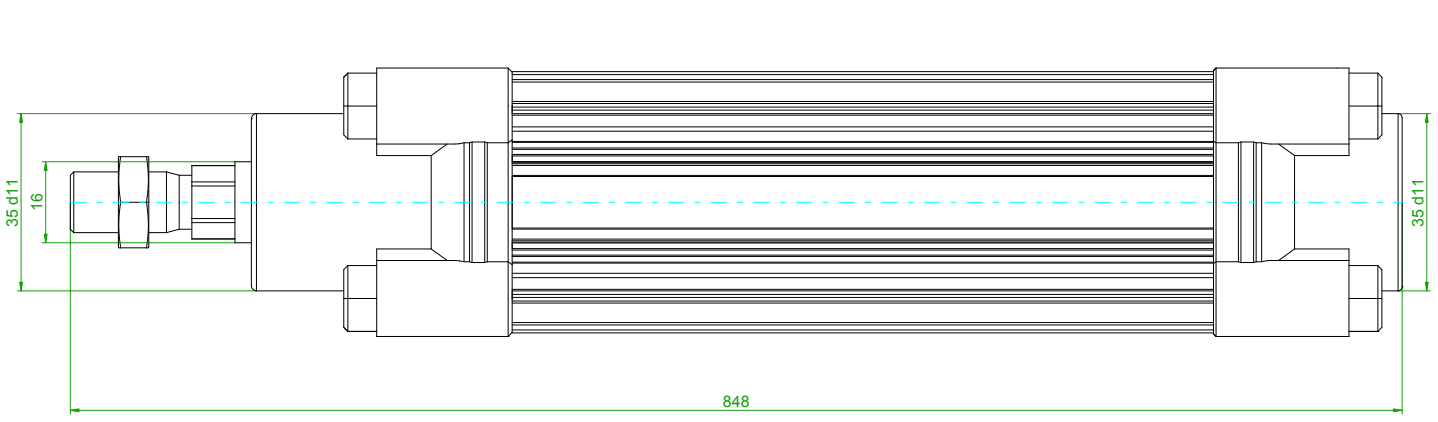
© This Document, as well as the data, specifications and other informations set forth in it, are the exclusive property of AVENTICS S.p.A.. Without their consent it may not be reproduced or given to third parties.

| Pos. | Quantity | Material number | Designation   | Type code                       |
|------|----------|-----------------|---------------|---------------------------------|
| 1    | 1        | R480071030      | Base cylinder | PRA-DA-040-0685-0-2-2-1-1-1-BAS |



Note:  
Stroke length not to scale.  
For this drawing non-warranty exists, because it is build automatically.

|          |               |              |                  |               |                                 |                  |                          |                      |      |        |
|----------|---------------|--------------|------------------|---------------|---------------------------------|------------------|--------------------------|----------------------|------|--------|
| AA       | No changes    | 2008-12-12   | Cylinder         |               |                                 | -                | -                        |                      |      |        |
| Ind.     | Change/Amend. | Datum / Date | Drawn/Gez.       | Checked/Gepr. | Released/Freig.                 | BWN              | Resp. dept/Verantw. Abt. | Add info / Zus. Info |      |        |
| LangSpr. | Syst.         | Weight/Gew.  |                  |               | PRA-DA-040-0685-0-2-2-1-1-1-BAS |                  |                          | Sheet/Bl.            |      |        |
| EN       |               | kg           |                  |               |                                 |                  |                          | 1 / 1                |      |        |
|          |               | Scale/M.stab | OFFER DRAWING    |               | Doc. type                       | R480071030 - ZUZ |                          | PO/DT                | Ind. | Format |
|          |               | ---          | ANGEBOTS-ZEICHN. |               | Repl. for                       | Repl. by         |                          | 001                  | AA   | A3     |



Note:  
 Stroke length not to scale.  
 For this drawing non-warranty exists, because it is build automatically.  
 Dimensions not shown, see technical documentation  
 Dimensions in mm

|          |             |              |                  |               |                                 |     |                          |                      |                  |        |
|----------|-------------|--------------|------------------|---------------|---------------------------------|-----|--------------------------|----------------------|------------------|--------|
| AA       | No changes  | 2008-12-12   | Cylinder         |               |                                 |     |                          |                      |                  |        |
| Ind.     | Change/Änd. | Datum / Date | Drawn/Gez.       | Checked/Gepr. | Released/Freig.                 | BWN | Resp. dept/Verantw. Abt. | Add info / Zus. Info |                  |        |
| LangSpr. | Syst.       | Weight/Gew.  |                  |               | PRA-DA-040-0685-0-2-2-1-1-1-BAS |     |                          | Sheet/Bl.            |                  |        |
| EN       |             | kg           |                  |               |                                 |     |                          | 1 / 1                |                  |        |
|          |             | Scale/M.stab |                  |               |                                 |     |                          | Doc. type            |                  |        |
|          |             | ---          |                  |               |                                 |     |                          | MCC                  | R480071030 - AGZ |        |
|          |             |              | OFFER DRAWING    |               |                                 |     |                          | PO/DT                | Ind.             | Format |
|          |             |              | ANGEBOTS-ZEICHN. |               |                                 |     |                          | 001                  | AA               | A3     |
|          |             |              |                  |               |                                 |     |                          | Repl. for            | Repl. by         |        |