

SKUPP®

VALVES



SV SERIES

INTRODUCTION

Valves play a crucial role in controlling air flow, direction, and system behavior. At SKUPP, we offer a wide range of compressed air valves suitable for virtually every application. Backed by years of experience in pneumatics.

Amongst others, our assortment contains the following categories:

- manually and foot
- mechanically
- pneumatically
- electrically (solenoid)
- NAMUR valves
- ISO valves
- function valves
- high-flow vacuum valves
- Coils

On the next pages, you'll find all available products listed. Our mostly sold valves are also described in this documentation. Check out our website for more information about our full range, configurations, or custom solutions by using the QR code below.



TABLE OF CONTENTS

INTRODUCTION 3
ELECTRICALLY OPERATED 5
MANUALLY OPERATED 17
FOOT OPERATED 24
MECHANICALLY OPERATED..... 25
PNEUMATICALLY OPERATED 28
FUNCTION VALVES..... 30
COILS..... 31



ELECTRICALLY OPERATED

CODE	FUNCTION	CONNECTION	OPERATOR 1	OPERATOR 2	SYMBOL
SVE-32-18-ES	3/2	G1/8"	Electric	Spring return Normally Closed	
SVE-32-18-ESO	3/2	G1/8"	Electric	Spring return Normally Open	
SVE-32-18-EP	3/2	G1/8"	Electric	Pneumatic	
SVE-32-18-ES-SE	3/2	G1/8"	Electric (Servo external)	Spring return	
SVE-32-18-EE	3/2	G1/8"	Electric	Electric	
SVE-52-18-ES	5/2	G1/8"	Electric	Spring return	
SVE-52-18-EP	5/2	G1/8"	Electric	Pneumatic	
SVE-52-18-ES-SE	5/2	G1/8"	Electric	Spring return	
SVE-52-18-EE	5/2	G1/8"	Electric	Electric	
SVE-53C-18-EE	5/3	G1/8"	Electric	Electric Closed center	
SVE-53O-18-EE	5/3	G1/8"	Electric	Spring return	
SVE-53P-18-EE	5/3	G1/8"	Electric	Spring return	
SVE-53C-18-EE-SE	5/3	G1/8"	Electric (Servo external)	Electric Center closed	
SVE-53O-18-EE-SE	5/3	G1/8"	Electric (Servo external)	Electric Center open	
SVE-53P-18-EE-SE	5/3	G1/8"	Electric (Servo external)	Electric Center under pressure	
SVE-32-14-ES	3/2	G1/4"	Electric	Spring return Normally Closed	
SVE-32-14-ESO	3/2	G1/4"	Electric	Spring return Normally Open	
SVE-32-14-EP	3/2	G1/4"	Electric	Pneumatic	
SVE-32-14-EE	3/2	G1/4"	Electric	Electric	
SVE-52-14-ES	5/2	G1/4"	Electric	Spring return	
SVE-52-14-EP	5/2	G1/4"	Electric	Pneumatic	
SVE-52-14-EE	5/2	G1/4"	Electric	Electric	

Note that the use of internal pilot supply is required whilst using low-power coils. Therefore, with electrically operated valves, the addition -SI (which is used with other valves) is not used. Servo actuated operators require a minimum of 2,5 bar.

SVE-32-18-ES

3/2 SOLENOID ACTUATED - SPRING RETURN, NORMALLY CLOSED, G1/8"

3/2 valve with G1/8" threaded ports. This valve has an internal servo pilot, which uses the pressure of port 1 to open the valve.

Servo actuated operators require a minimum of 2,5 bar. Excluding coil. For coils, see page 24.



Sold without coil

TECHNICAL FEATURES

BODY MATERIAL

Aluminium 11S

SPRINGS MATERIAL

Stainless steel

SEALS

NBR

INTERNAL PARTS

Brass OT58

NOMINAL ORIFICE

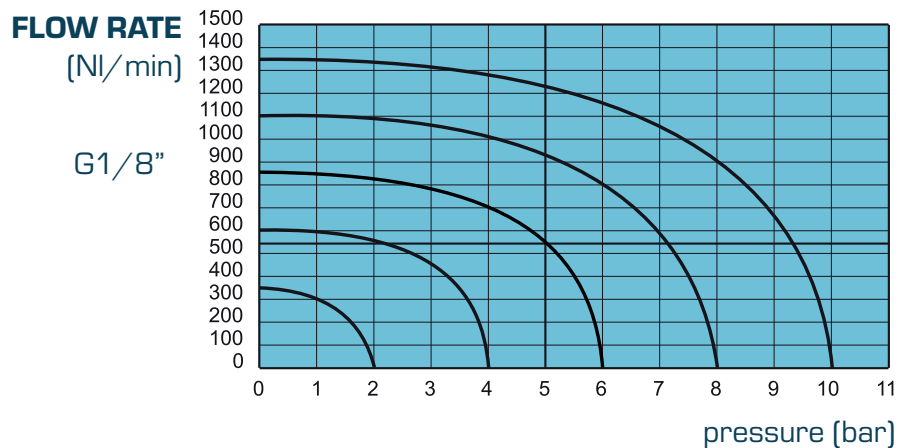
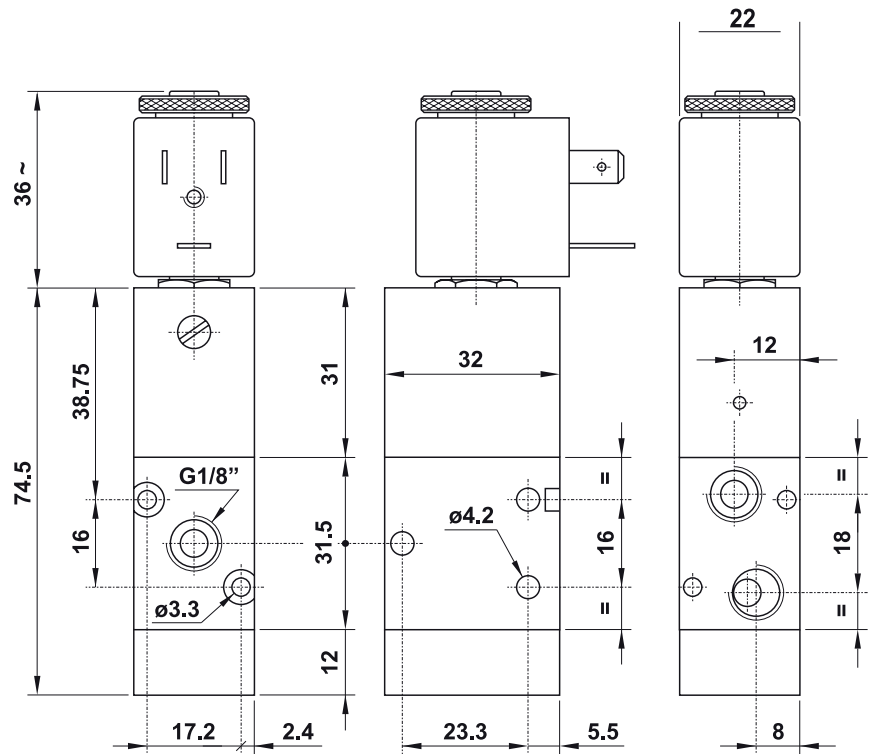
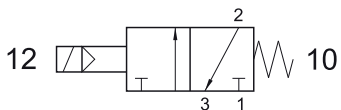
5 mm

TEMPERATURE RANGE

Max +60°C

FLUID

50µm filtered, lubricated or non lubricated air



SVE-52-18-ES

5/2 SOLENOID ACTUATED - SPRING RETURN, G1/8"

5/2 valve with G1/8" threaded ports. This valve has an internal servo pilot, which uses the pressure of port 1 to open the valve. Servo actuated operators require a minimum of 2,5 bar. Excluding coil. For coils, see page 24.



Sold without coil

TECHNICAL FEATURES

BODY MATERIAL

Aluminium 11S

SPRINGS MATERIAL

Stainless steel

SEALS

NBR

INTERNAL PARTS

Brass OT58

NOMINAL ORIFICE

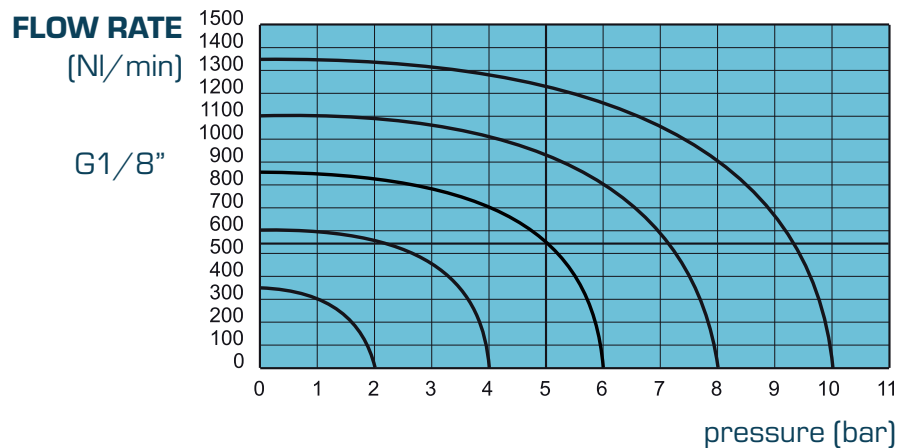
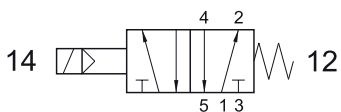
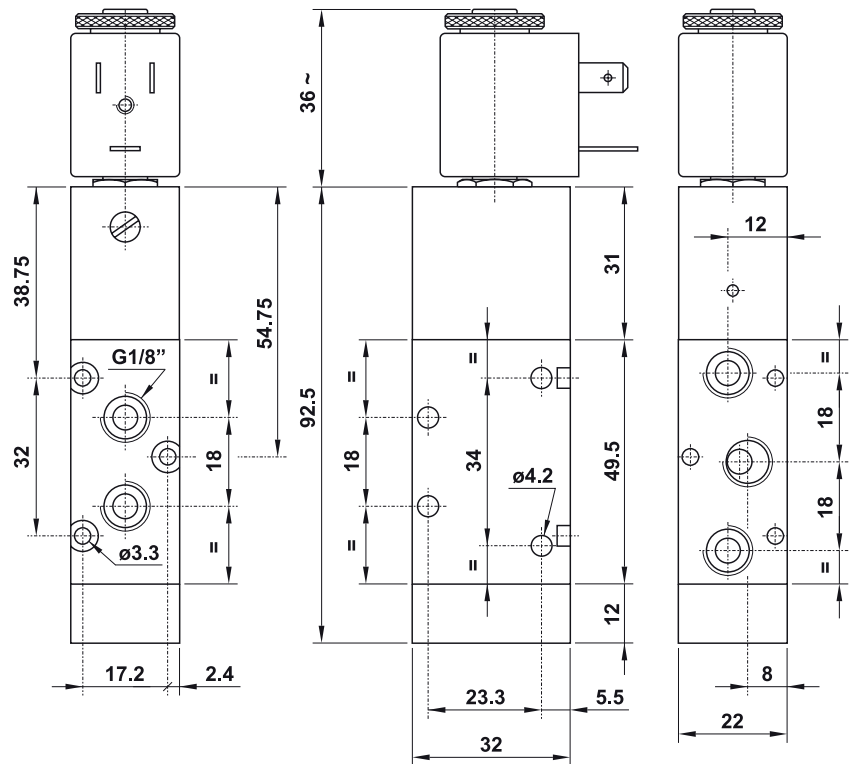
5 mm

TEMPERATURE RANGE

Max +60°C

FLUID

50µm filtered, lubricated or non lubricated air



SVE-530-18-EE

5/3 SOLENOID ACTUATED, BI-STABLE WITH OPEN CENTER, G1/8"

5/3 valve with G1/8" threaded ports and a center open position. This valve has an internal servo pilot, which uses the pressure of port 1 to open the valve. Servo actuated operators require a minimum of 2,5 bar. Excluding coil. For coils, see page 24.



TECHNICAL FEATURES

BODY MATERIAL

Aluminium 11S

SPRINGS MATERIAL

Stainless steel

SEALS

NBR

INTERNAL PARTS

Brass OT58

NOMINAL ORIFICE

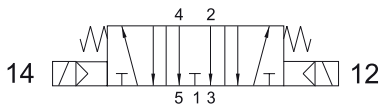
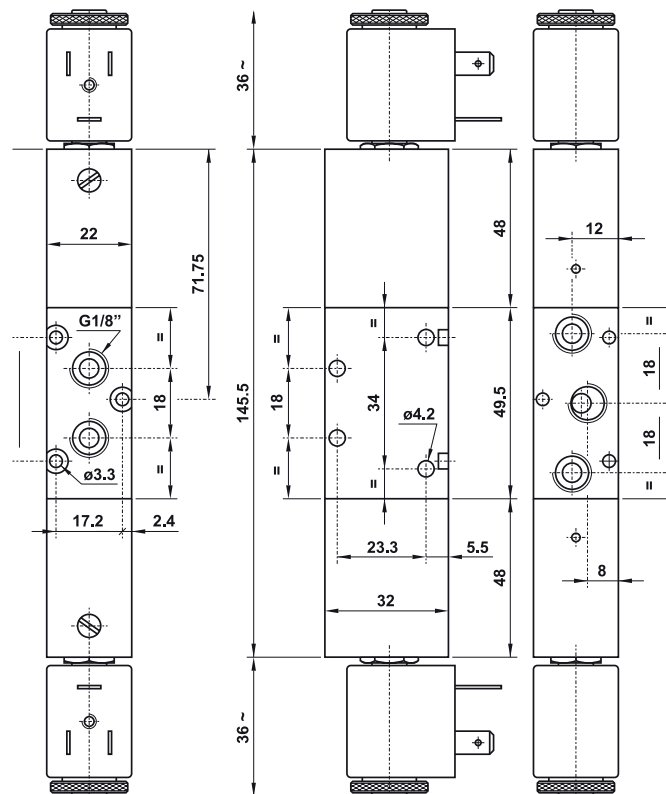
5 mm

TEMPERATURE RANGE

Max +60°C

FLUID

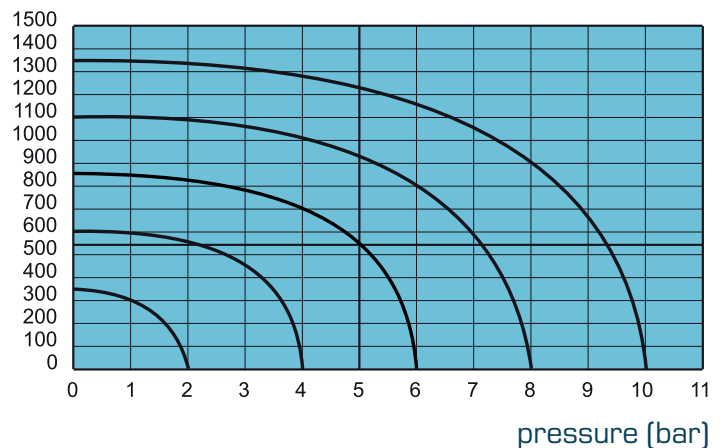
50µm filtered, lubricated or non lubricated air



FLOW RATE

[Nl/min]

G1/8"



SVE-32-14-ES

3/2 SOLENOID ACTUATED - SPRING RETURN, NORMALLY CLOSED, G1/4"

3/2 valve with G1/4" threaded ports. This valve has an internal servo pilot, which uses the pressure of port 1 to open the valve. Servo actuated operators require a minimum of 2,5 bar. Excluding coil. For coils, see page 24.



TECHNICAL FEATURES

BODY MATERIAL

Aluminium 11S

SPRINGS MATERIAL

Stainless steel

SEALS

NBR

INTERNAL PARTS

Brass OT58

NOMINAL ORIFICE

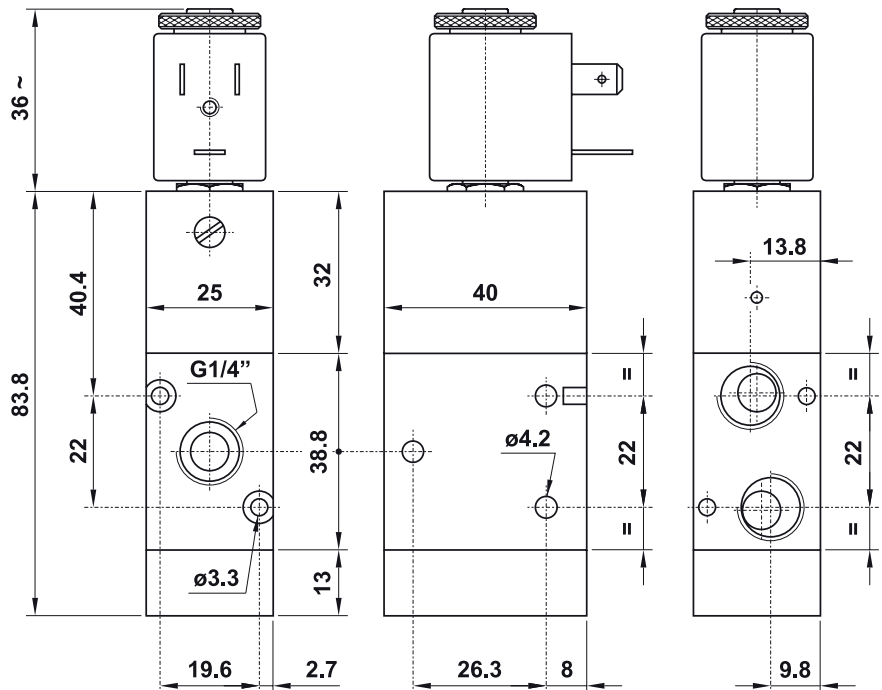
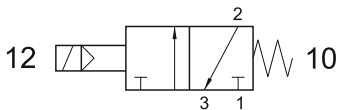
7,5 mm

TEMPERATURE RANGE

Max +60°C

FLUID

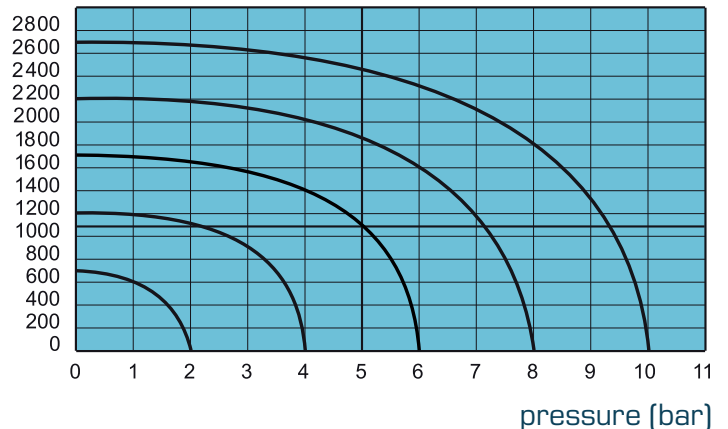
50µm filtered, lubricated or non lubricated aiR



FLOW RATE

[Nl/min]

G1/4"



SVE-52-14-ES

5/2 SOLENOID ACTUATED - SPRING RETURN, G1/4"

5/2 valve with G1/4" threaded ports. This valve has an internal servo pilot, which uses the pressure of port 1 to open the valve. Servo actuated operators require a minimum of 2,5 bar. Excluding coil. For coils, see page 24.



Sold without coil

TECHNICAL FEATURES

BODY MATERIAL

Aluminium 11S

SPRINGS MATERIAL

Stainless steel

SEALS

NBR

INTERNAL PARTS

Brass OT58

NOMINAL ORIFICE

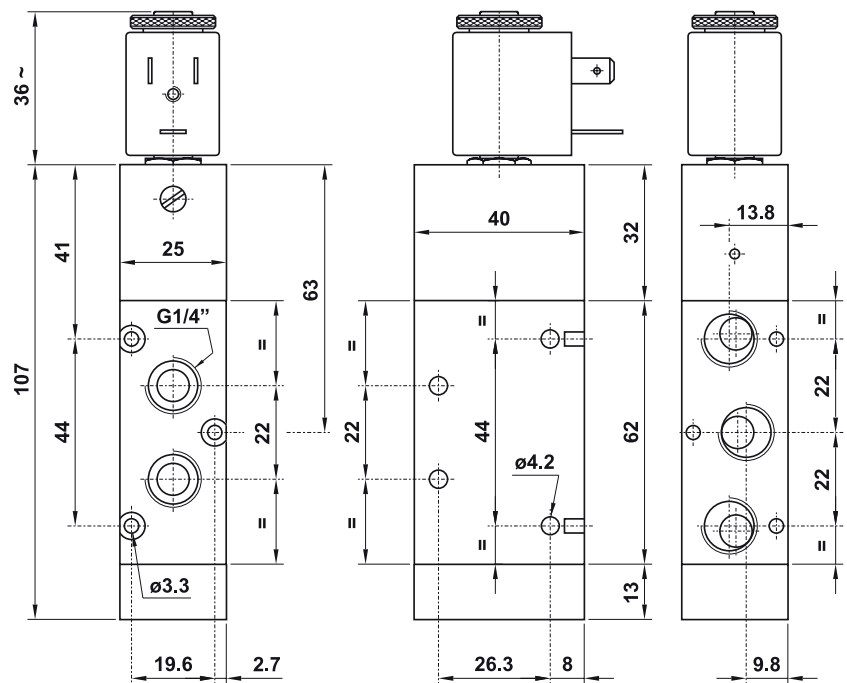
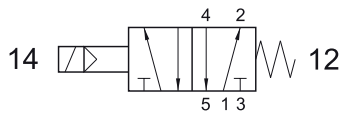
7,5 mm

TEMPERATURE RANGE

Max +60°C

FLUID

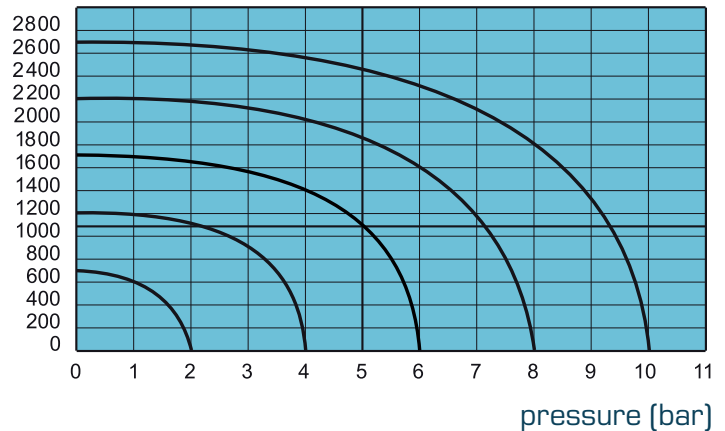
50µm filtered, lubricated or non lubricated air



FLOW RATE

(Nl/min)

G1/4"



SVE-52-14-EE

5/2 DOUBLE SOLENOID ACTUATED, G1/4"

5/2 valve with G1/4" threaded ports. This valve has an internal servo pilot, which uses the pressure of port 1 to open the valve. Servo actuated operators require a minimum of 2,5 bar. Excluding coil. For coils, see page 24.



TECHNICAL FEATURES

BODY MATERIAL

Aluminium 11S

SPRINGS MATERIAL

Stainless steel

SEALS

NBR

INTERNAL PARTS

Brass OT58

NOMINAL ORIFICE

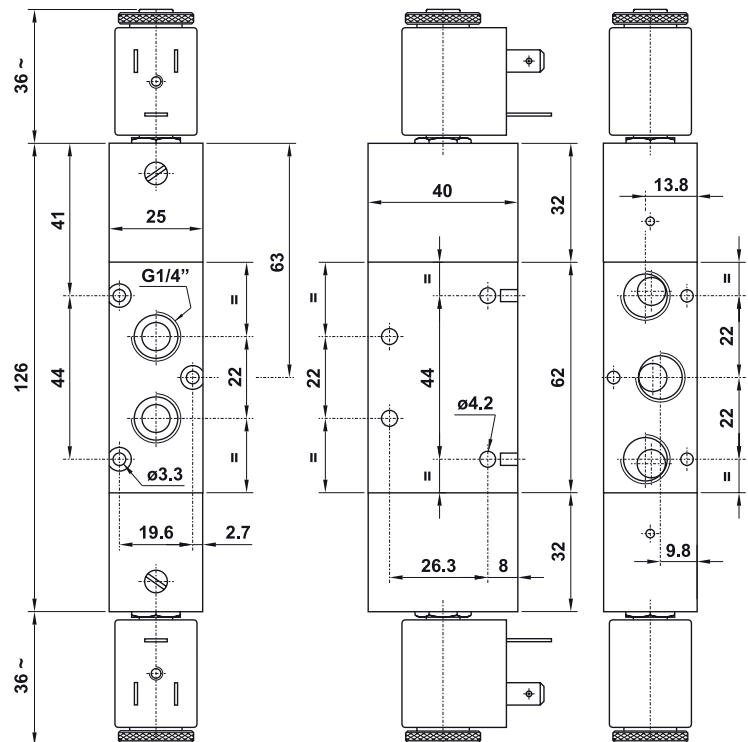
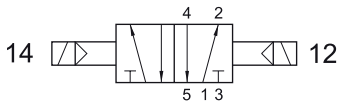
7,5 mm

TEMPERATURE RANGE

Max +60°C

FLUID

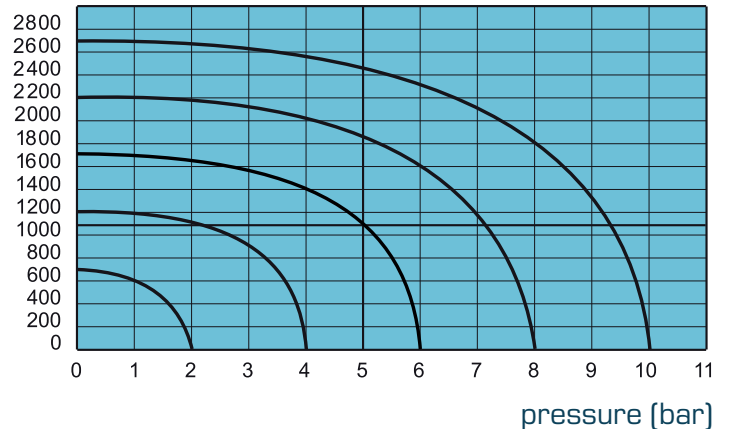
50µm filtered, lubricated or non lubricated air



FLOW RATE

(Nl/min)

G1/4"



SVN-52-14-ES

5/2 NAMUR SOLENOID ACTUATED - SPRING RETURN, G1/4"

5/2 NAMUR valve with G1/4" threaded ports are designed for direct assembly onto the pneumatic actuator of a ball valve. This valve has an internal servo pilot, which uses the pressure of port 1 to open the valve. Servo actuated operators require a minimum of 2,5 bar. When a 3/2 NAMUR is required, the user can plug off port 4 and 5. Excluding coil. For coils, see page 24.



Sold without coil

TECHNICAL FEATURES

BODY MATERIAL

Aluminium 11S

SPRINGS MATERIAL

Stainless steel

SEALS

NBR

SPOOL

Nickel plated aluminium

INTERNAL PARTS

Brass OT58

PROTECTION COVER

Shock resistant plastic material

NOMINAL ORIFICE

7.5 mm

TEMPERATURE RANGE

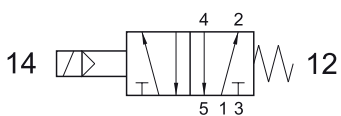
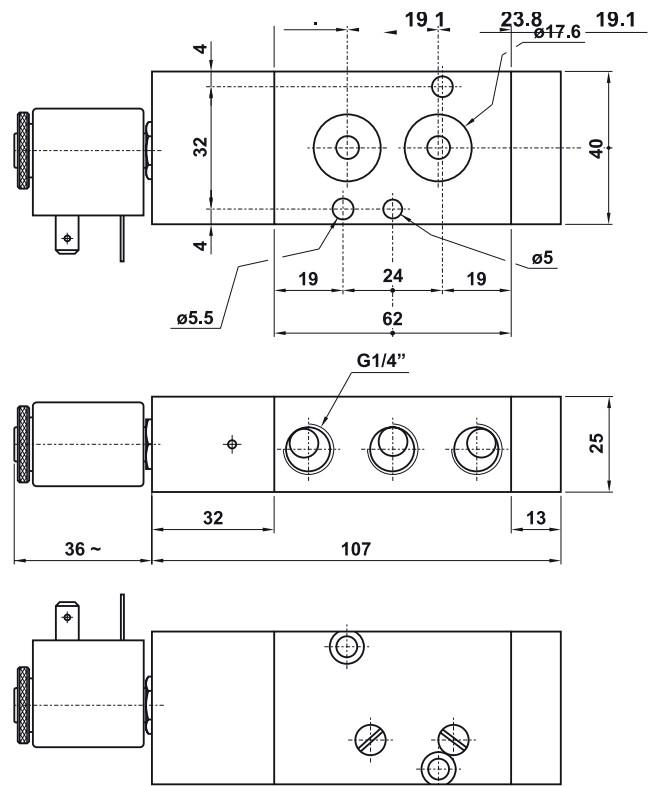
Max +60°C

WORKING PRESSURE

Max 10 bar

FLUID

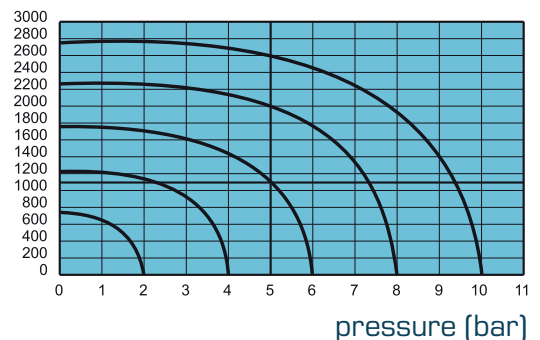
50µm filtered, lubricated or non lubricated air



FLOW RATE

(Nl/min)

G1/4"

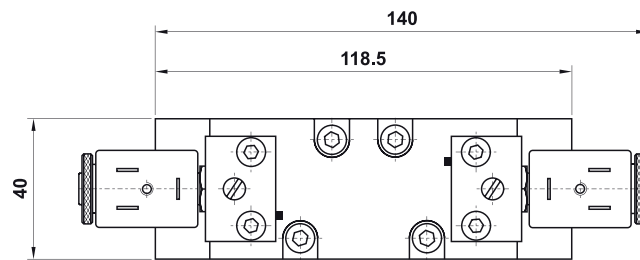
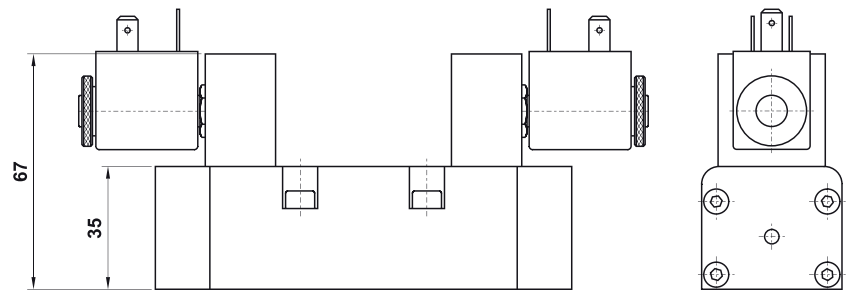


SVI-52-11-EE

5/2 ISO 1 VALVE, SOLENOID ACTUATED - SPRING RETURN

ISO 1

5/2 valve with ISO 1 connection. ISO valves are designed for easy and interchangeability. Servo actuated operators require a minimum of 2,5 bar. Excluding coils. For coils, see page 24.



TECHNICAL FEATURES

BODY MATERIAL

Aluminium 11S

SPRINGS MATERIAL

Stainless steel

SEALS

NBR

SPOOL

Nickel plated aluminium

INTERNAL PARTS

Brass OT58

PROTECTION COVER

Shock resistant plastic material

NOMINAL ORIFICE

7.5 mm

TEMPERATURE RANGE

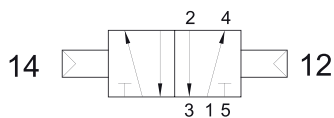
Max +60°C

WORKING PRESSURE

Max 10 bar

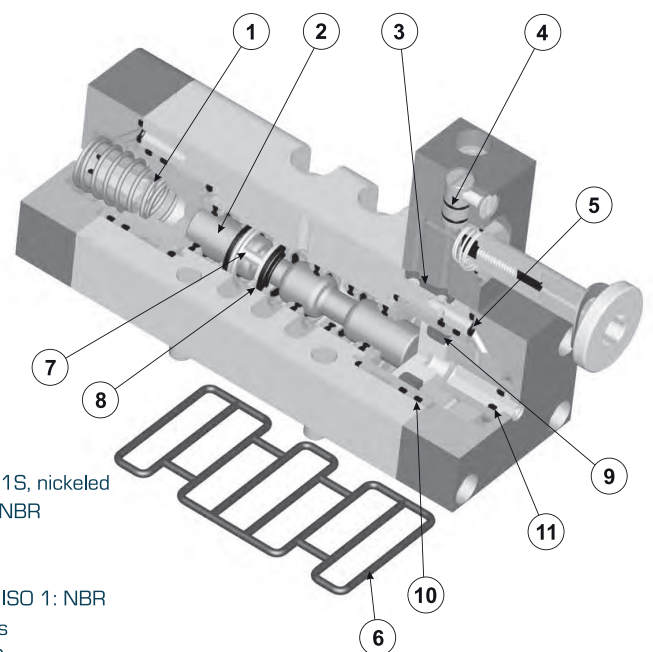
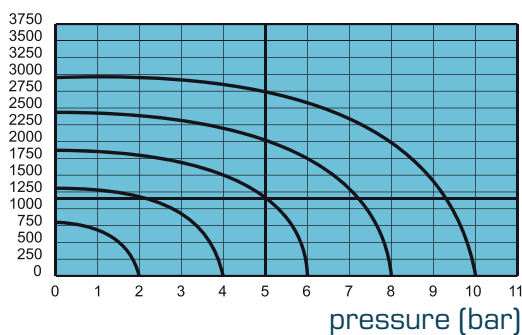
FLUID

50µm filtered, lubricated or non lubricated air



FLOW RATE

(NI/min)



1. Spring: steel
2. Spool: aluminium 11S, nickered
3. Multifunction seal: NBR
4. O-Ring: NBR
5. O-Ring: NBR
6. Seal for valve body ISO 1: NBR
7. Spool spacer: brass
8. Seal for spool: NBR
9. Seal for piston: NBR
10. Guarnizione O-Ring: NBR
11. Guarnizione O-Ring: NBR

SVI-52-I1-ES

5/2 ISO 1 VALVE, SOLENOID ACTUATED - SPRING RETURN

ISO 1

5/2 valve with ISO 1 connection. These valves are designed for easy mounting and interchangeability. Servo actuated operators require a minimum of 2,5 bar. Excluding coil. For coils, see page 24.

TECHNICAL FEATURES

BODY MATERIAL

Aluminium 11S

SPRINGS MATERIAL

Stainless steel

SEALS

NBR

SPOOL

Nickel plated aluminium

INTERNAL PARTS

Brass OT58

PROTECTION COVER

Shock resistant plastic material

NOMINAL ORIFICE

7.5 mm

TEMPERATURE RANGE

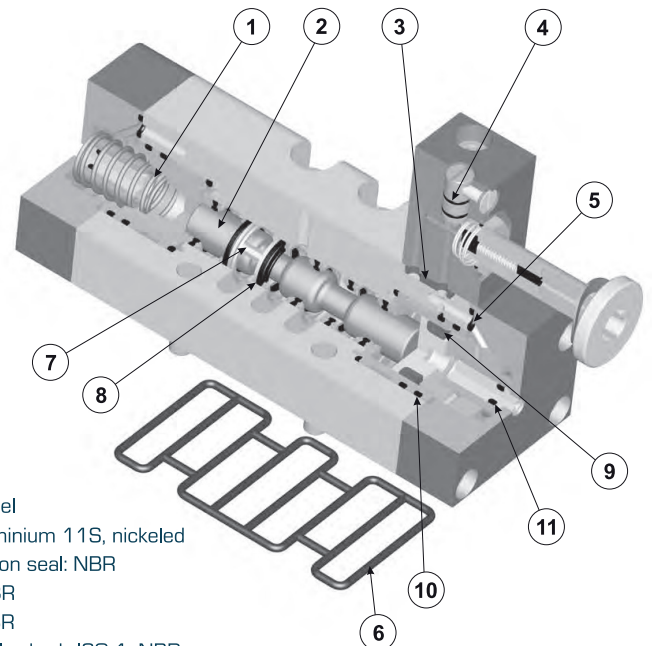
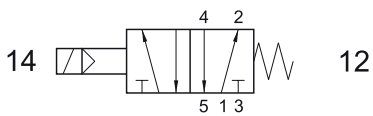
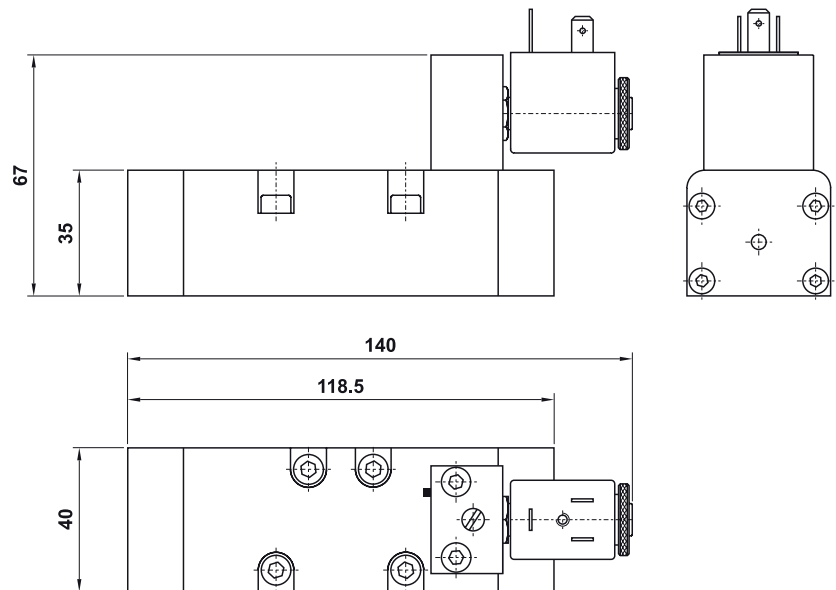
Max +60°C

WORKING PRESSURE

Max 10 bar

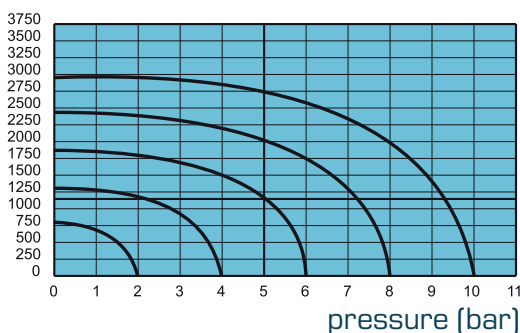
FLUID

50µm filtered, lubricated or non lubricated air



1. Spring: steel
2. Spool: aluminium 11S, nickeled
3. Multifunction seal: NBR
4. O-Ring: NBR
5. O-Ring: NBR
6. Seal for valve body ISO 1: NBR
7. Spool spacer: brass
8. Seal for spool: NBR
9. Seal for piston: NBR
10. Guarnizione O-Ring: NBR
11. Guarnizione O-Ring: NBR

FLOW RATE (NI/min)



SVI-530-I1-EE

5/3 ISO 1 VALVE, CENTER OPEN, DOUBLE SOLENOID ACTUATED

ISO 1

5/3 valve with open center and ISO 1 connection. These valves are designed for easy mounting and interchangeability. Servo actuated operators require a minimum of 2,5 bar. Excluding coils. For coils, see page 24.

TECHNICAL FEATURES

BODY MATERIAL

Aluminium 11S

SPRINGS MATERIAL

Stainless steel

SEALS

NBR

SPOOL

Nickel plated aluminium

INTERNAL PARTS

Brass OT58

PROTECTION COVER

Shock resistant plastic material

NOMINAL ORIFICE

7.5 mm

TEMPERATURE RANGE

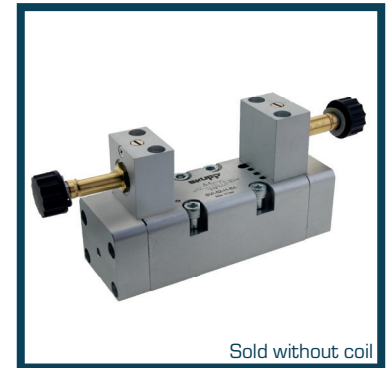
Max +60°C

WORKING PRESSURE

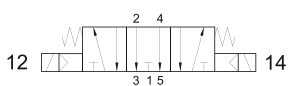
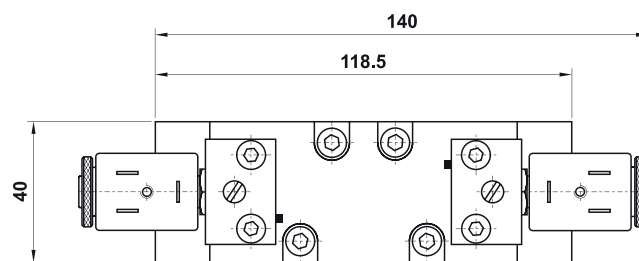
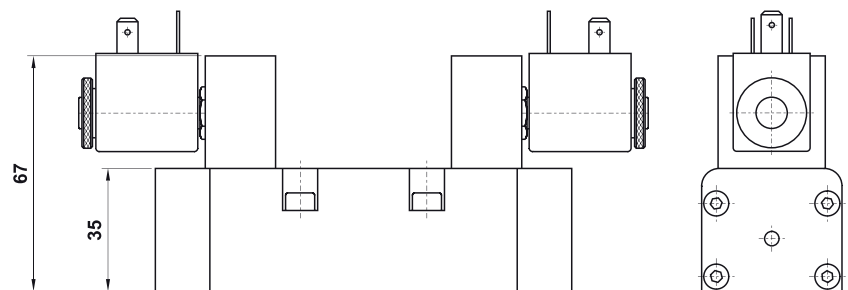
Max 10 bar

FLUID

50µm filtered, lubricated or non lubricated air

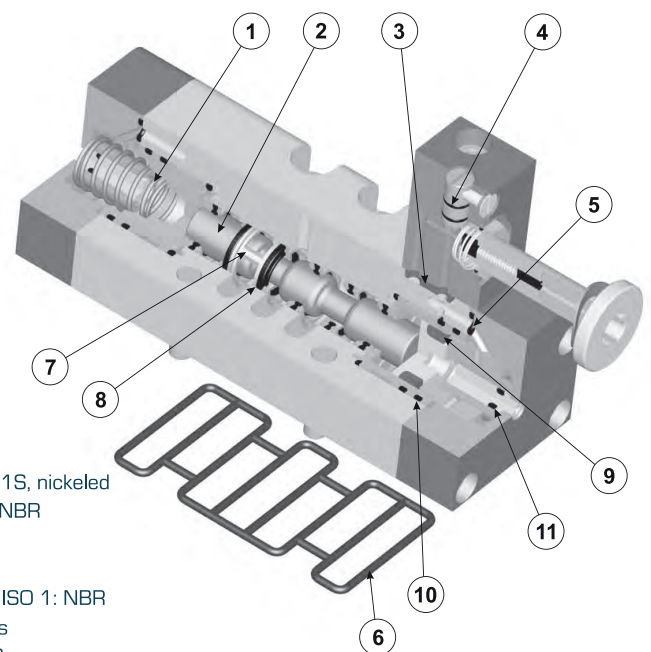
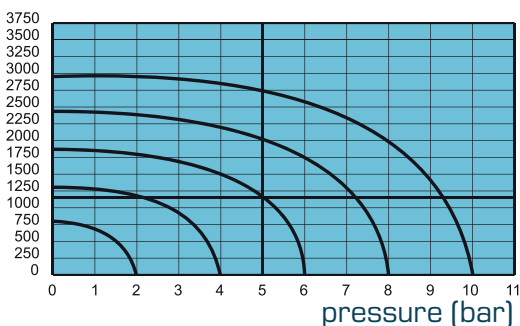


Sold without coil



FLOW RATE

(Nl/min)



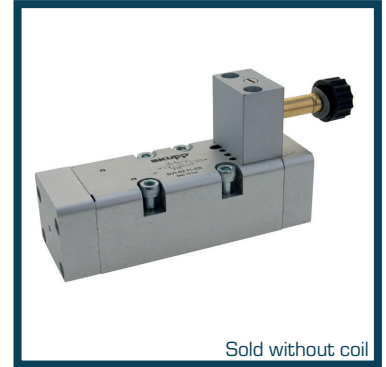
1. Spring: steel
2. Spool: aluminium 11S, nickered
3. Multifunction seal: NBR
4. O-Ring: NBR
5. O-Ring: NBR
6. Seal for valve body ISO 1: NBR
7. Spool spacer: brass
8. Seal for spool: NBR
9. Seal for piston: NBR
10. Guarnizione O-Ring: NBR
11. Guarnizione O-Ring: NBR

SVI-52-I3-ES

5/2 ISO 3 VALVE, SOLENOID ACTUATED - SPRING RETURN

ISO 3

5/2 valve with ISO 3 connection. These valves are designed for easy mounting and interchangeability. Servo actuated operators require a minimum of 2,5 bar. Excluding coil. For coils, see page 24.



TECHNICAL FEATURES

BODY MATERIAL

Aluminium 11S

SPRINGS MATERIAL

Stainless steel

SEALS

NBR

SPOOL

Nickel plated aluminium

INTERNAL PARTS

Brass OT58

NOMINAL FLOW RATE

4600 NI/min

NOMINAL ORIFICE

13 mm

TEMPERATURE RANGE

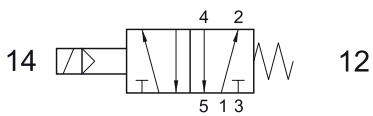
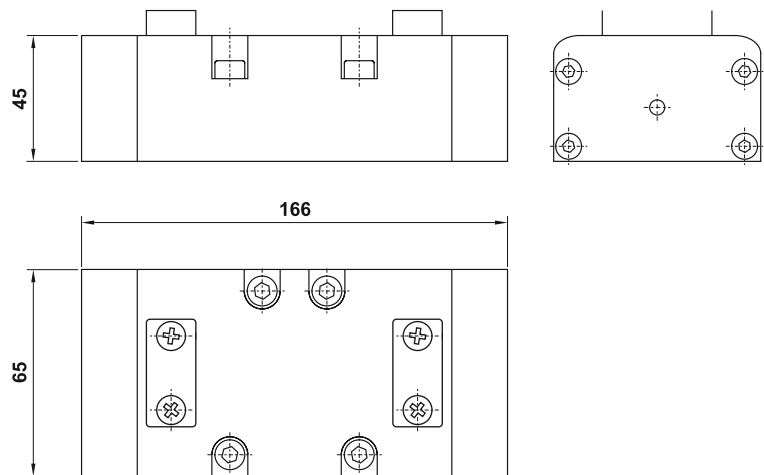
Max +60°C

WORKING PRESSURE

Max 10 bar

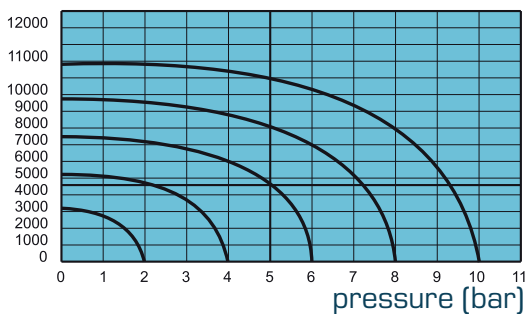
FLUID

50µm filtered, lubricated or non lubricated air



FLOW RATE

(NI/min)



MANUALLY OPERATED

HAND

CODE	FUNCTION	CONNECTION	OPERATOR 1	OPERATOR 2	SYMBOL
SVH-32-18-LS90 SVH-32-14-LS90	3/2	G1/8" G1/4"	Lever	Spring return	
SVH-52-18-LS90 SVH-52-14-LS90	5/2	G1/8" G1/4"	Lever	Spring return	
SVH-32-18-LL90 SVH-32-14-LL90	3/2	G1/8" G1/4"	Lever	Lever	
SVH-52-18-LL90 SVH-52-14-LL90	5/2	G1/8" G1/4"	Lever	Lever	
SVH-53C-18-LS90 SVH-53C-14-LS90	5/3	G1/8" G1/4"	Lever	Spring return Center closed	
SVH-53O-18-LS90 SVH-53O-14-LS90	5/3	G1/8" G1/4"	Lever	Spring return Center Open	
SVH-53P-18-LS90 SVH-53P-14-LS90	5/3	G1/8" G1/4"	Lever	Spring return Center under pressure	
SVH-53C-18-LL90 SVH-53C-14-LL90	5/3	G1/8" G1/4"	Lever	Lever Center closed	
SVH-53O-18-LL90 SVH-53O-14-LL90	5/3	G1/8" G1/4"	Lever	Lever Center Open	
SVH-53P-18-LL90 SVH-53P-14-LL90	5/3	G1/8" G1/4"	Lever	Lever Center under pressure	
SVH-32-18-MS SVH-32-14-MS	3/2	G1/8" G1/4"	Mushroom	Spring return	
SVH-52-18-MS SVH-52-14-MS	5/2	G1/8" G1/4"	Mushroom	Spring return	
SVH-32-18-MM SVH-32-14-MM	3/2	G1/8" G1/4"	Mushroom	Mushroom	
SVH-52-18-MM SVH-52-14-MM	5/2	G1/8" G1/4"	Mushroom	Mushroom	
SVH-52-18-MP SVH-52-14-MP	5/2	G1/8" G1/4"	Mushroom	Pneumatic	
SVH-52-18-MMP SVH-52-14-MMP	5/2	G1/8" G1/4"	Mushroom	Mushroom (pneumatic assisted return)	
SVH-32-18-LL SVH-32-14-LL	3/2	G1/8" G1/4"	Lever	Lever	
SVH-52-18-LL SVH-52-14-LL	5/2	G1/8" G1/4"	Lever	Lever	
SVH-53O-18-LS	3/2	G1/8"	Lever	Spring return	

SVH-32-18-MM4

3/2 MUSHROOM VALVE, HAND ACTUATED - SPRING RETURN, NORMALLY CLOSED

3/2, hand operated valve, mushroom version, spring return. This is the smaller, budget-friendly version with a nominal orifice of 4mm.



TECHNICAL FEATURES

BODY MATERIAL

Aluminium 11S

SPRINGS MATERIAL

Stainless steel

SEALS

NBR

SPOOL

Nickel plated aluminium

INTERNAL PARTS

Brass OT58

PROTECTION COVER

Shock resistant plastic material

NOMINAL ORIFICE

4 mm

TEMPERATURE RANGE

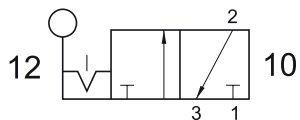
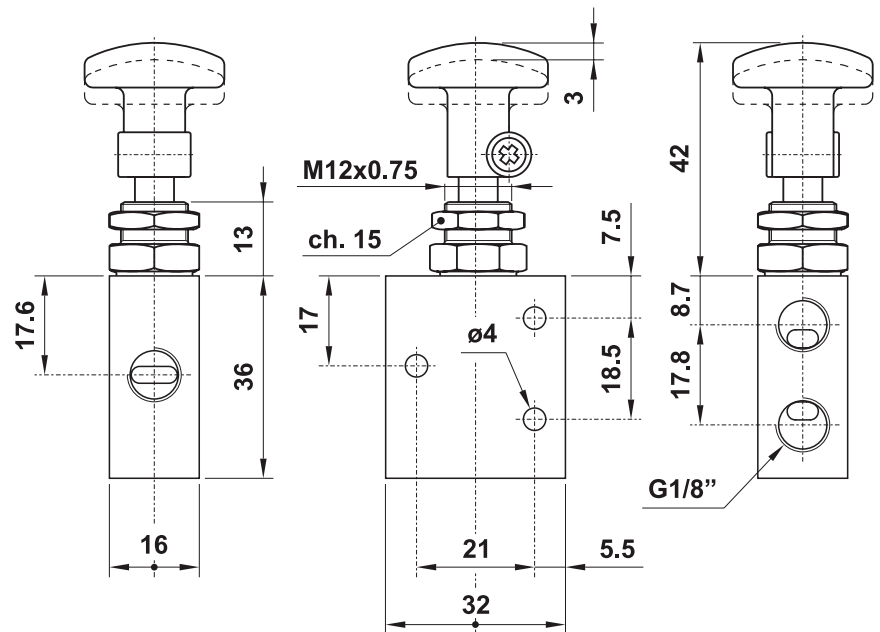
Max +60°C

WORKING PRESSURE

Max 10 bar

FLUID

50µm filtered, lubricated or non lubricated air



SVH-32-18-LL

3/2 VALVE, LEVER ACTUATED - BISTABLE

3/2 bi-stable, manually actuated valve (lever operated) with G1/8" ports.

TECHNICAL FEATURES

BODY MATERIAL

Aluminium 11S

SPRINGS MATERIAL

Stainless steel

SEALS

NBR

SPOOL

Nickel plated aluminium

INTERNAL PARTS

Brass OT58

PROTECTION COVER

Shock resistant plastic material

NOMINAL ORIFICE

5 mm

TEMPERATURE RANGE

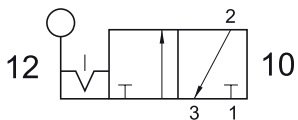
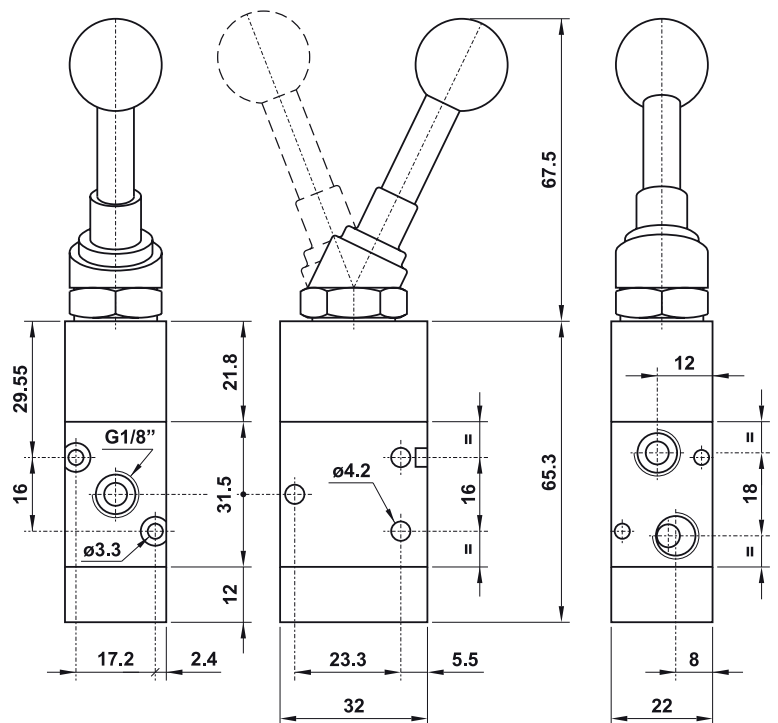
Max +60°C

WORKING PRESSURE

Max 10 bar

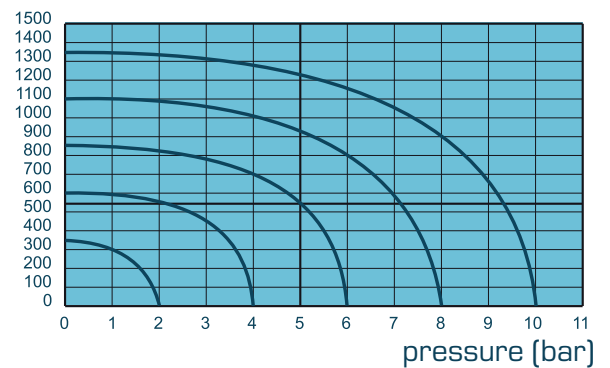
FLUID

50µm filtered, lubricated or non lubricated air



FLOW RATE

(Nl/min)
G1/8"



SVH-52-18-LL

5/2 VALVE, LEVER ACTUATED - BISTABLE

5/2 bi-stable, manually actuated valve (lever operated) with G1/8" ports..

TECHNICAL FEATURES

BODY MATERIAL

Aluminium 11S

SPRINGS MATERIAL

Stainless steel

SEALS

NBR

SPOOL

Nickel plated aluminium

INTERNAL PARTS

Brass OT58

PROTECTION COVER

Shock resistant plastic material

NOMINAL ORIFICE

5 mm

TEMPERATURE RANGE

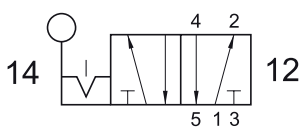
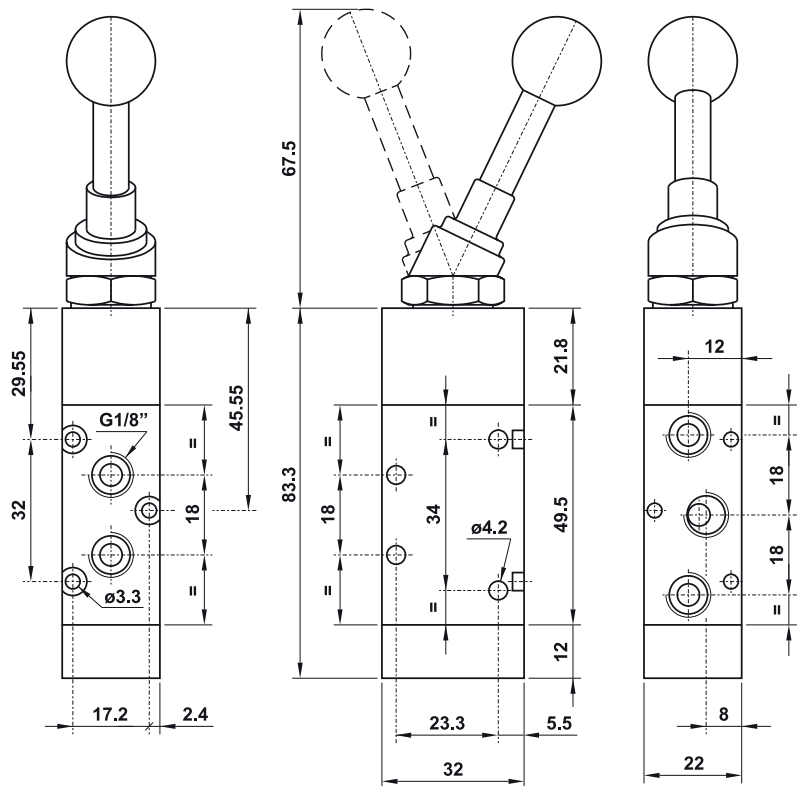
Max +60°C

WORKING PRESSURE

Max 10 bar

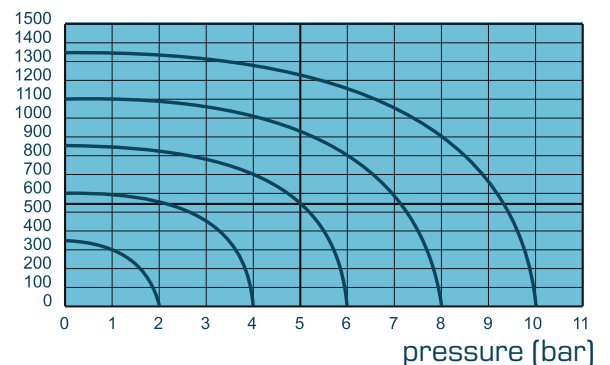
FLUID

50µm filtered, lubricated or non lubricated air



FLOW RATE

(NI/min)
G1/8"



SVH-52-14-LS90

5/2 VALVE, LEVER ACTUATED - SPRING RETURN 90°

5/2 manually actuated valve (lever operated), spring return, with G1/4" ports.



TECHNICAL FEATURES

BODY MATERIAL

Aluminium 11S

SPRINGS MATERIAL

Stainless steel

SEALS

NBR

SPOOL

Nickel plated aluminium

INTERNAL PARTS

Brass OT58

PROTECTION COVER

Shock resistant plastic material

NOMINAL ORIFICE

5 mm

TEMPERATURE RANGE

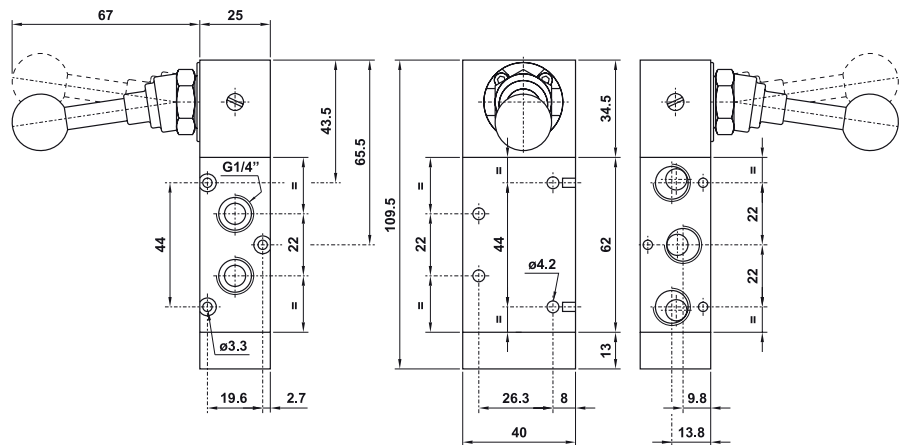
Max +60°C

WORKING PRESSURE

Max 10 bar

FLUID

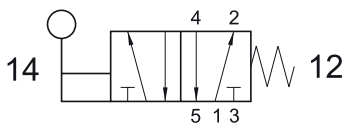
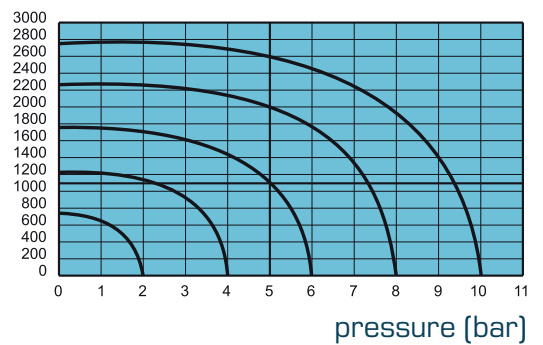
50µm filtered, lubricated or non lubricated air



FLOW RATE

(l/min)

G1/4"



SVH-530-18-LS

5/3 VALVE, LEVER ACTUATED - SPRING RETURN AND OPEN CENTER

5/3 lever actuated valve, with open center, spring return and G1/8" ports.



TECHNICAL FEATURES

BODY MATERIAL

Aluminium 11S

SPRINGS MATERIAL

Stainless steel

SEALS

NBR

SPOOL

Nickel plated aluminium

INTERNAL PARTS

Brass OT58

PROTECTION COVER

Shock resistant plastic material

NOMINAL ORIFICE

5 mm

TEMPERATURE RANGE

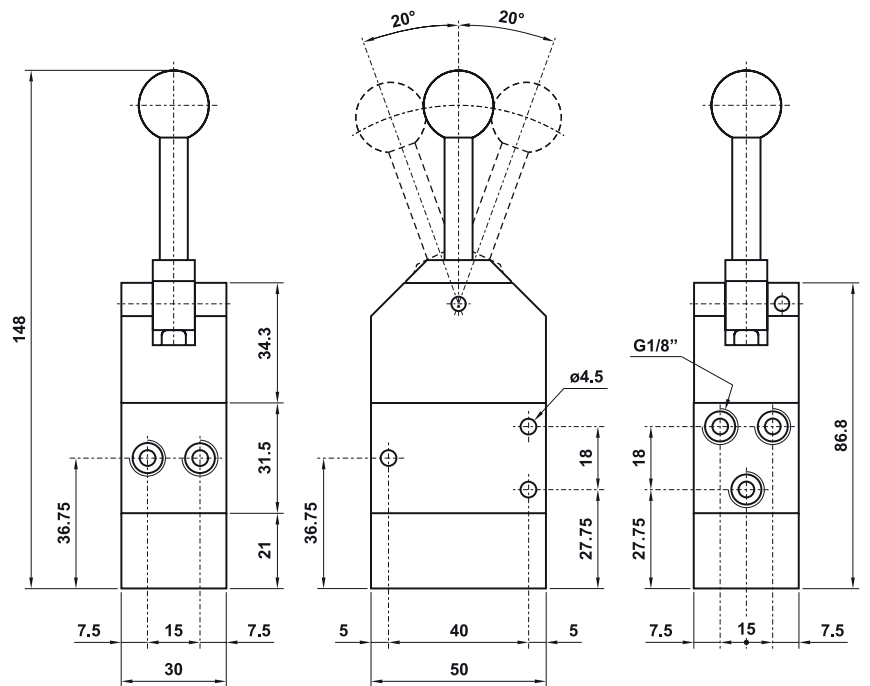
Max +60°C

WORKING PRESSURE

Max 10 bar

FLUID

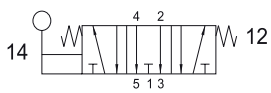
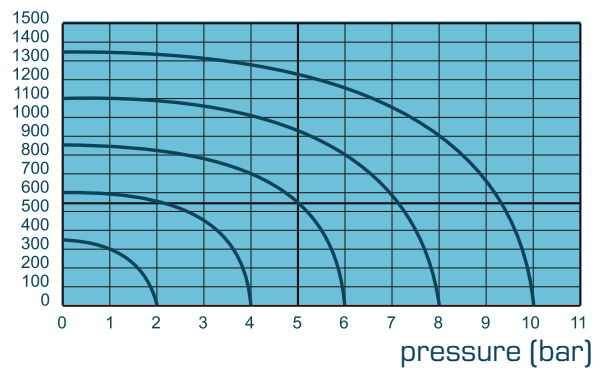
50µm filtered, lubricated or non lubricated air



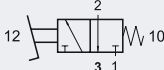
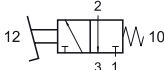
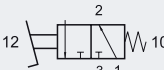
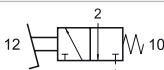





FLOW RATE

(NI/min)

G1/8"



FOOT OPERATED

CODE	FUNCTION	CONNECTION	OPERATOR 1	OPERATOR 2	SYMBOL	EXTRAS
SVF-32-04-FS	3/2	Ø4 push-in	Foot	Spring return Normally Closed		
SVF-32-M5-FS	3/2	M5	Foot	Spring return Normally Closed		
SVF-32-04-FSO	3/2	Ø4 push-in	Foot	Spring return Normally Open		
SVF-32-14-FS-PC	3/2	G1/4"	Foot	Spring return Normally Closed		Progressive flow rate With yellow protective cover
SVF-52-14-FS-C	5/2	G1/4"	Foot	Spring return		With yellow protective cover
SVF-52-14-FF-C	5/2	G1/4"	Foot	Foot		With yellow protective cover
SVF-52-14-FS-CF	5/2	G1/4"	Foot	Spring return		With yellow protective cover and safety feature
SVF-52-14-FF-CF	5/2	G1/4"	Foot	Foot		With yellow protective cover and safety feature
SVF-52-14-FS-CFR	5/2	G1/4"	Foot	Spring return		With yellow protective cover, safety and reset feature

MECHANICALLY OPERATED

CODE	FUNCTION	CONNECTION	OPERATOR 1	OPERATOR 2	SYMBOL
SVM-32-18-TS	3/2	G1/8"	Tappet	Spring return Normally Closed	
SVM-52-18-TS	5/2	G1/8"	Tappet	Spring return	
SVM-32-18-TT	3/2	G1/8"	Tappet	Tappet	
SVM-52-18-TT	5/2	G1/8"	Tappet	Tappet	
SVM-32-18-TP	3/2	G1/8"	Tappet	Pneumatic (external)	
SVM-52-18-TP	5/2	G1/8"	Tappet	Pneumatic (external)	
SVM-32-18-TS-SI	3/2	G1/8"	Tappet (internal servo assist)	Spring return Normally Closed	
SVM-32-18-TSO-SI	3/2	G1/8"	Tappet (internal servo assist)	Spring return Normally Open	
SVM-52-18-TS-SI	5/2	G1/8"	Tappet (internal servo assist)	Spring return	
SVM-32-18-TT-SI	3/2	G1/8"	Tappet (internal servo assist)	Tappet (internal servo assist)	
SVM-52-18-TT-SI	5/2	G1/8"	Tappet (internal servo assist)	Tappet (internal servo assist)	
SVM-32-18-RS	3/2	G1/8"	Roller	Spring return Normally Closed	
SVM-52-18-RS	5/2	G1/8"	Roller	Spring return	
SVM-32-18-RUS	3/2	G1/8"	Roller (uni directional)	Spring return Normally Closed	
SVM-52-18-RUS	5/2	G1/8"	Roller (uni directional)	Spring return	
SVM-32-18-RS-SI	3/2	G1/8"	Roller (internal servo assist)	Spring return Normally Closed	
SVM-32-18-RSO-SI	3/2	G1/8"	Roller (internal servo assist)	Spring return Normally Open	
SVM-52-18-RS-SI	5/2	G1/8"	Roller (internal servo assist)	Spring return	
SVM-32-18-AS-SI	3/2	G1/8"	Antenna (internal servo assist)	Spring return Normally Closed	
SVM-32-18-ASO-SI	3/2	G1/8"	Antenna (internal servo assist)	Spring return Normally Open	
SVM-52-18-AS-SI	5/2	G1/8"	Antenna (internal servo assist)	Spring return	

Note that servo actuated operators require a minimum of 2,5 bar.

SVM-52-18-AS

5/2 VALVE, ANTENNA - SPRING RETURN

5/2 antenna actuated valve, with spring return and G1/8" ports. Actuating force related to inlet pressure: if P1 pressure is 2 bar, the minimum force required is 0,3N. If P1 is 10 bar, the minimum force required is 0,8 N.

TECHNICAL FEATURES

BODY MATERIAL

Aluminium 11S

SPRINGS MATERIAL

Stainless steel

SEALS

NBR

SPOOL

Nickel plated aluminium

INTERNAL PARTS

Brass OT58

PROTECTION COVER

Shock resistant plastic material

NOMINAL ORIFICE

5 mm

TEMPERATURE RANGE

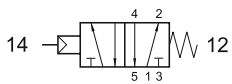
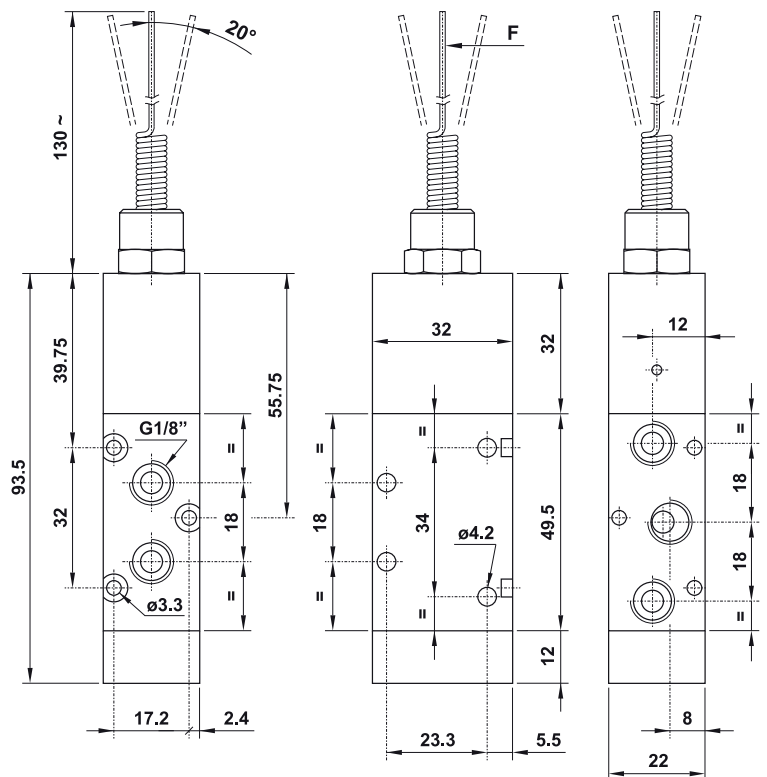
Max +60°C

WORKING PRESSURE

Max 10 bar

FLUID

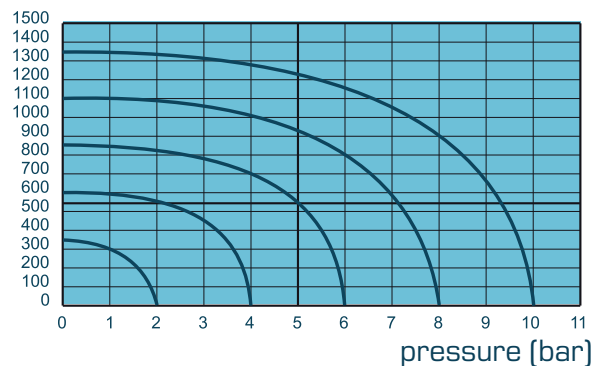
50µm filtered, lubricated or non lubricated air



FLOW RATE

(Nl/min)

G1/8"



SVM-32-18-TS

3/2 VALVE, TAPPET - SPRING RETURN

3/2 tappet actuated valve, with spring return and G1/8" ports. Actuating force required is 32,4 N.



TECHNICAL FEATURES

BODY MATERIAL

Aluminium 11S

SPRINGS MATERIAL

Stainless steel

SEALS

NBR

SPOOL

Nickel plated aluminium

INTERNAL PARTS

Brass OT58

PROTECTION COVER

Shock resistant plastic material

NOMINAL ORIFICE

5 mm

TEMPERATURE RANGE

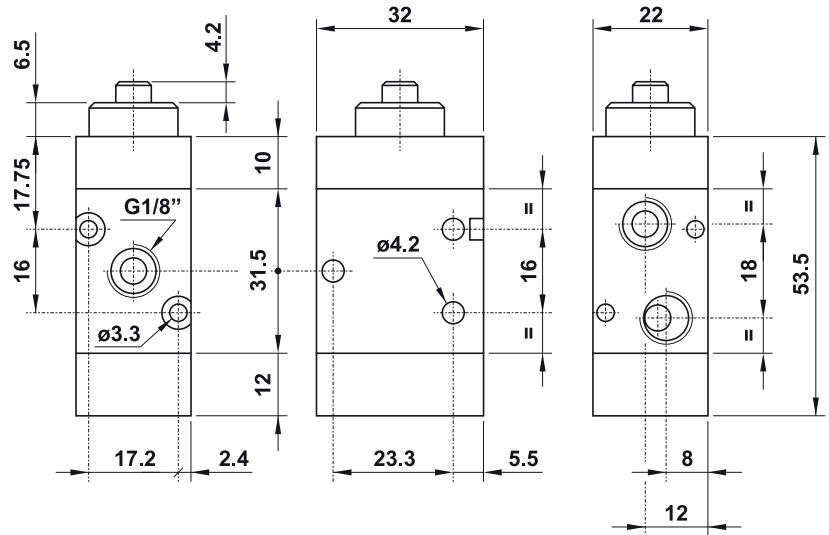
Max +60°C

WORKING PRESSURE

Max 10 bar

FLUID

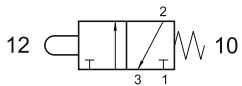
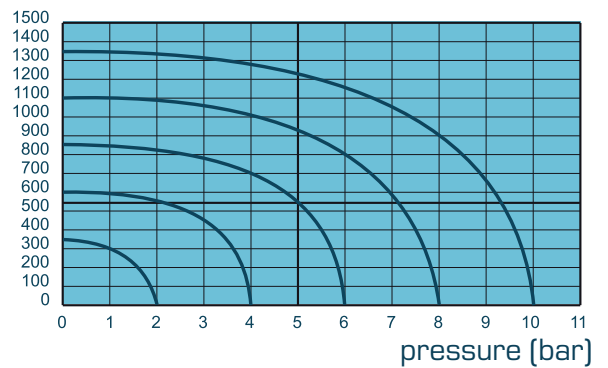
50µm filtered, lubricated or non lubricated air



FLOW RATE

(l/min)

G1/8"



PNEUMATICALLY OPERATED

CODE	FUNCTION	CONNECTION	OPERATOR 1	OPERATOR 2	SYMBOL
SVP-32-18-PS	3/2	G1/8"	Pneumatic	Spring return Normally Closed	
SVP-32-18-PSO	3/2	G1/8"	Pneumatic	Spring return Normally Open	
SVP-32-18-PP	3/2	G1/8"	Pneumatic	Pneumatic	
SVP-32-18-PPD	3/2	G1/8"	Pneumatic	Pneumatic with differential	
SVP-32-18-PP-SI	3/2	G1/8"	Pneumatic	Pneumatic return (servo internal)	
SVP-52-18-PS	5/2	G1/8"	Pneumatic	Spring return	
SVP-52-18-PP	5/2	G1/8"	Pneumatic	Pneumatic	
SVP-52-18-PPD	5/2	G1/8"	Pneumatic	Pneumatic	
SVP-52-18-PP-SI	5/2	G1/8"	Pneumatic	Pneumatic return (servo internal)	
SVP-53C-18-PP	5/3	G1/8"	Pneumatic (center closed)	Pneumatic	
SVP-53O-18-PP	5/3	G1/8"	Pneumatic (center open)	Pneumatic	
SVP-53P-18-PP	5/3	G1/8"	Pneumatic (center under pressure)	Pneumatic	
SVP-53C-14-PP	5/3	G1/4"	Pneumatic (center closed)	Pneumatic	
SVP-53O-14-PP	5/3	G1/4"	Pneumatic (center open)	Pneumatic	
SVP-53P-14-PP	5/3	G1/4"	Pneumatic (center under pressure)	Pneumatic	
SVP-32-14-PP	3/2	G1/4"	Pneumatic	Pneumatic	
SVP-32-14-PPD	3/2	G1/4"	Pneumatic	Pneumatic with differential	
SVP-32-14-PP-SI	3/2	G1/4"	Pneumatic	Pneumatic return (servo internal)	
SVP-52-14-PS	5/2	G1/4"	Pneumatic	Spring return	
SVP-52-14-PP	5/2	G1/4"	Pneumatic	Pneumatic	
SVP-52-14-PP-SI	5/2	G1/4"	Pneumatic	Pneumatic return (servo internal)	

SVP-52-18-PS

5/2 VALVE, PNEUMATIC - SPRING RETURN

5/2 pneumatic actuated valve, with spring return and G1/8" ports.



TECHNICAL FEATURES

BODY MATERIAL

Aluminium 11S

SPRINGS MATERIAL

Stainless steel

SEALS

NBR

SPOOL

Nickel plated aluminium

INTERNAL PARTS

Brass OT58

PROTECTION COVER

Shock resistant plastic material

NOMINAL ORIFICE

5 mm

TEMPERATURE RANGE

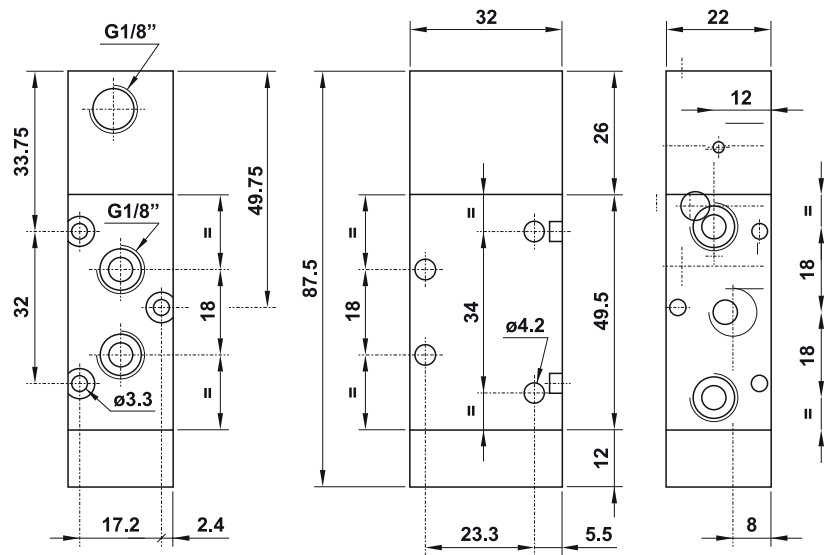
Max +60°C

WORKING PRESSURE

Max 10 bar

FLUID

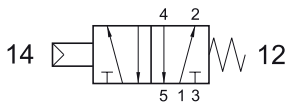
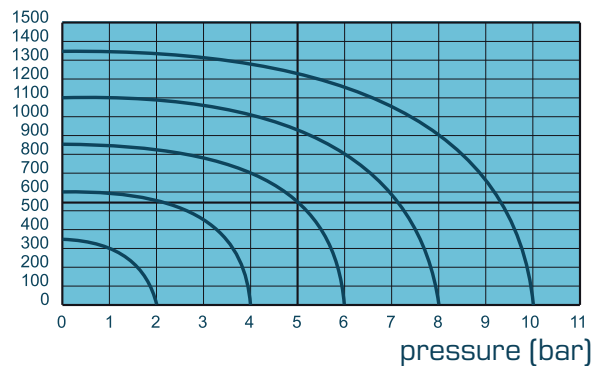
50µm filtered, lubricated or non lubricated air



FLOW RATE

(l/min)

G1/8"



FUNCTION VALVES

CODE	FUNCTION	CONNECTION	SYMBOL
SVL-OR-04	OR-VALVE	4 MM PUSH-IN	
SVL-AND-04	AND-VALVE	4 MM PUSH-IN	
SVL-OR-M5	OR-VALVE	M5	
SVL-AND-M5	AND-VALVE	M5	
SVL-OR-18	OR-VALVE	G1/8"	
SVL-AND-18	AND-VALVE	G1/8"	
SVL-NOT-04	NOT-VALVE	4 MM PUSH-IN	
SVL-YES-04	YES-VALVE	4 MM PUSH-IN	
SVL-MEM-04M	MEMORY VALVE MONOSTABLE	4 MM PUSH-IN	
SVL-MEM-04B	MEMORY VALVE BI-STABLE	4 MM PUSH-IN	

COILS

22 MM AND 30 MM

TECHNICAL FEATURES

WORKING TEMPERATURE

+50 °C

DUTY CYCLE

ED 100%

PROTECTION WITH CONNECTOR CORRECTLY MOUNTED

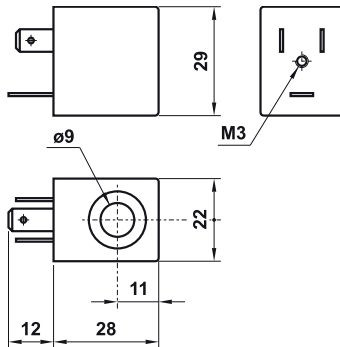
IP 65

VOLTAGE TOLERANCE

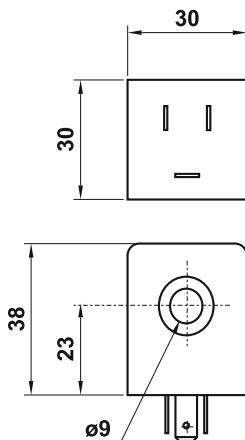
±10%



22 MM COIL



CODE	VOLTAGE	POWER	
		rated	inrush
SVEA-12DC-922	12V DC	3W	
SVEA-24DC-922	24V DC	3W	
SVEA-24DC-922	24V 50/60Hz	5VA	7.5VA
SVEA-110DC-922	110V 50/60Hz	5VA	7.5VA
SVEA-220DC-922	220V 50/60Hz	5VA	7.5VA



30 MM COIL

CODE	VOLTAGE	POWER	
		rated	inrush
SVEA-24DC-930	24V DC	2W	
SVEA-24AC-930	24V 50/60Hz	5VA	9VA
SVEA-110AC-930	110V 50/60Hz	5VA	9VA
SVEA-220AC-930	220V 50/60Hz	5VA	9VA

