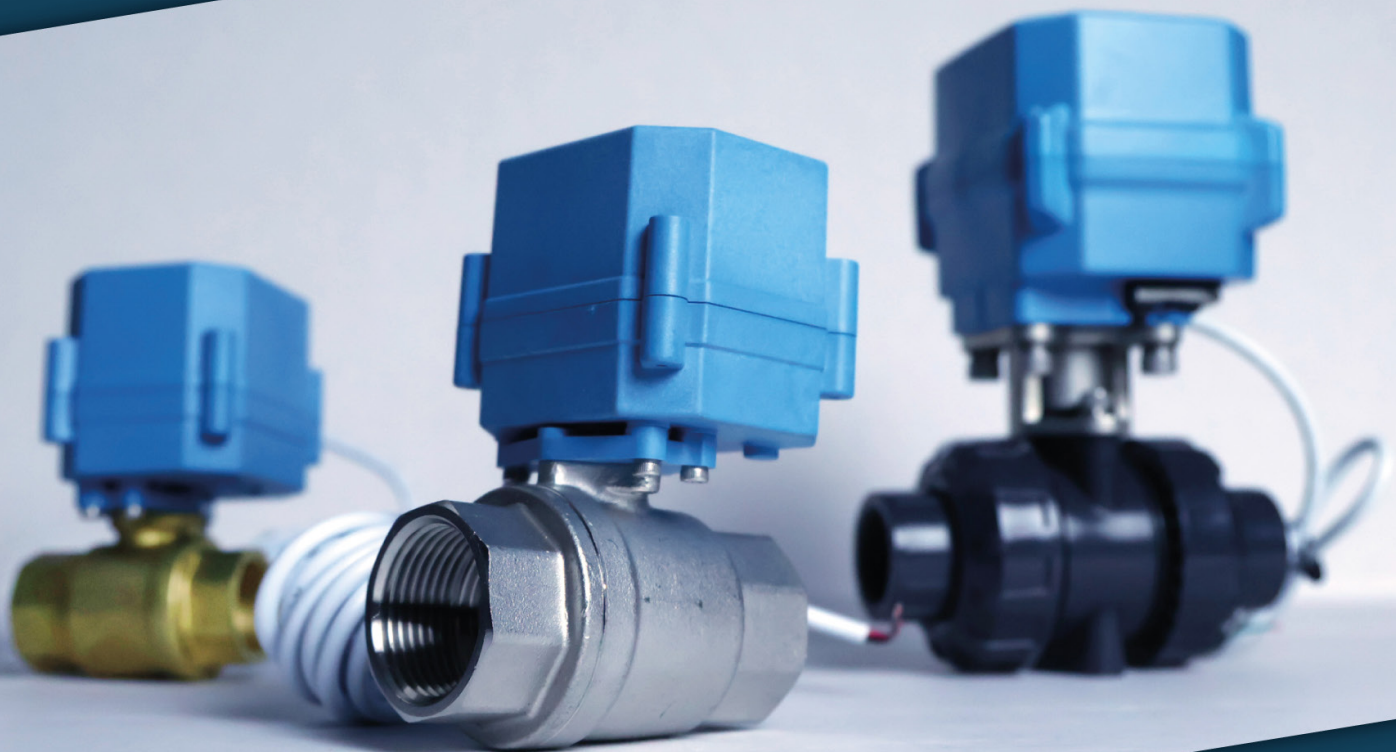


SKUPP®

ELECTRIC BALL VALVES



SEB SERIES

OUR STORY

In a market dominated by global players, SKUPP emerged from a clear need for change. The traditional supply chain in the industry, especially pneumatics and valve technology, had become increasingly complex, rigid, and inefficient. Distributors were confronted with shrinking margins, slow response times, and uncertain partnerships with established manufacturers. Smaller specialized production sites are also diminishing, which is bad for local business.

KEEP IT SIMPLE

SKUPP represents a more direct, transparent, and efficient approach. By maintaining substantial local inventories and providing full digital visibility into orders, stock levels, and product data, the supply chain becomes shorter and more reliable.

The result is a streamlined path from production to application — ensuring quality, speed, and accessibility in every connection.

Why choose SKUPP



Simplified Supply Chain
No unnecessary layers or delays

EU Stock Center
Large European stock enabling short delivery times



Standardized Product Range
A focused, consistent portfolio, to keep it simple

Clear Documentation
Clear data sheets and easy-to-learn product numbers



Predictable Partnerships
We aim for stable, long-term business relationships

Cost Efficiency
Competitive pricing while maintaining healthy margins



OUR BALL VALVE

Introduction

A ball valve is a type of shut-off valve that controls the flow of a liquid or gas using a rotating ball with a hole through its center. When the ball's hole aligns with the flow path, the valve is open; when the ball is turned 90 degrees, the flow is completely

Range

SKUPP offers about twenty types of valves with various actuators and sealing designs, each featuring its own unique construction details. The strong, compact electric actuators were originally developed at a university and further refined using proven automotive technology.

Quality control

Our valves have been produced and successfully used for over ten years without quality issues. Each unit undergoes a 20-minute combined operation and pressure test before shipping. This strict process guarantees 100% reliability and excellent durability in demanding conditions.



Unique seal

A key innovation is the floating seal, a unique sealing design that provides very low friction and extremely high tightness. This proven technology ensures long-term reliability and can truly be called a breakthrough in sealing performance.

Longer lifespan

SKUPP ball valves are built for an expected lifetime of 70,000 to 100,000 cycles. Tests have shown that they perform roughly twice as well as typical market standards. Note that the actual lifespan depends on factors such as valve size, temperature, installation conditions, and medium.

Failsafe version

The SKUPP series can be selected as a failsafe version, available in normally closed (NC) or normally open (NO) configurations. These models include a built-in capacitor that stores energy during normal operation. In the event of a power failure, the stored energy is instantly released, returning the actuator to its original rest position. This effective system ensures reliable return to its normal position.



Floating ball valve

TABLE OF CONTENTS

STAINLESS STEEL ELECTRIC BALL VALVE.....	5
TWO WAY	5
TWO WAY BATTERY VERSION	8
THREE WAY	9
THREE PIECE.....	13
BRASS ELECTRIC BALL VALVE	16
TWO WAY	16
TWO WAY BATTERY VERSION	19
THREE WAY	20
PVC ELECTRIC BALL VALVE	23
TWO WAY	23
THREE WAY	26
WIRING DIAGRAM	28

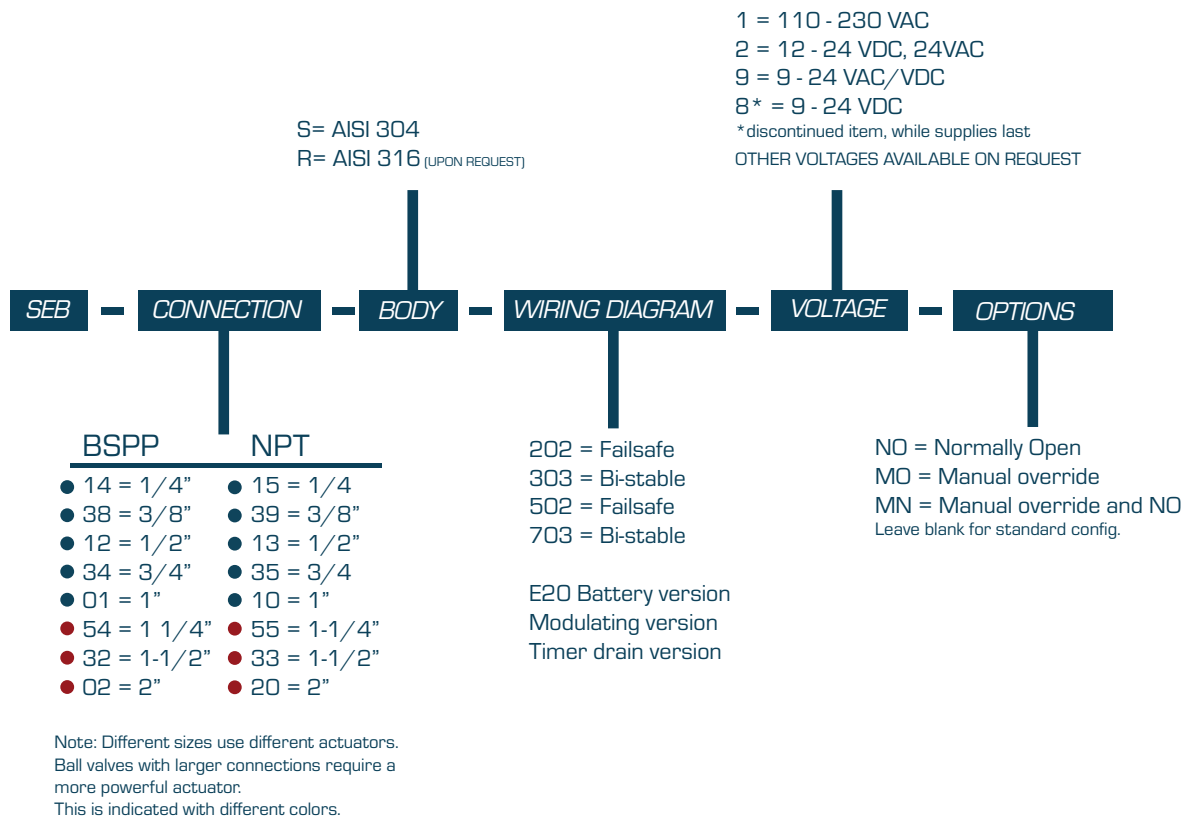


STAINLESS STEEL ELECTRIC BALL VALVE

TWO WAY

All electric ball valves can be used with different fluids. The stainless steel electric ball valves are made of high-quality AISI 304 stainless steel. The actuator is made of PPO (Polyphenylene Oxid); a high-performance thermoplastic known for its exceptional thermal stability and good electrical insulation properties. The actuator is IP67. Suitable temperature range: ambient: -15°C – 55°C, media: 2°C – 90°C.

All products are 100% tested for failures and leakage with air (6bar) and water and 20 minutes open-close. Never exceed the recommended voltage.



SEB-S

TWO WAY 1/4" - 1"

Stainless steel ball valves are made of 304 (AISI 316 body on request.) standard with EPDM/ PTFE seals, a position indicator, female thread (BSPP or NPT) and are Normally Closed if wiring diagram 202 or 502 is selected. Manual override and Normally Open are optional. Other configurations are available upon request, such as:

- Wireless version
- Timer drain version
- Battery version
- Modulating version
- FKM seals



Displayed with manual override

TECHNICAL FEATURES

CONNECTION SIZE
BSPP / NPT 1/4" - 1"

MAXIMUM WORKING PRESSURE
1.0 MPa

MEDIUM
Fluids, air

WORKING VOLTAGE
DC: 5V, 12V, 24V, 9-24V | AC: 9 - 24V

WORKING CURRENT
≤500 mA

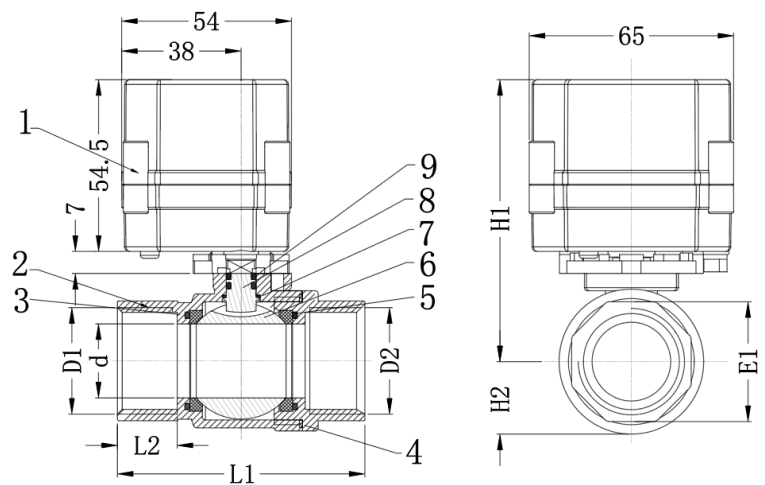
OPEN/CLOSE TIME
≤5S

EXPECTED LIFETIME
70.000 cycles

ACTUATOR ROTATION
90°

TORQUE FORCE
3 N.m

CABLE LENGTH
3M



● DIMENSIONS

CODE	D1/D2	D ±.3	L1 ±1	L2±1	E1 ±0.5	H1 ±1	H2
SEB-14S	G 1/4"	10	51	12	21	70	14
SEB-15S	NPT 1/4"						
SEB-38S	G 3/8"	10	51	12	21	70	14
SEB-39S	NPT 3/8"						
SEB-12S	G 1/2"	15	62	14	25	72	17
SEB-13S	NPT 1/2"						
SEB-34S	G 3/4"	20	72	17	31	75.5	20
SEB35S	NPT 3/4"						
SEB-01S	G 1"	25	79	18	38	78.5	24.5
SEB-10S	NPT 1"						

● COMPONENTS

No.	Name	Material	Quantity
1	Actuator	PPO	1
2	Body & Cover	Stainless Steel (304)	1
3	O-ring	EPDM*	2
4	Sealing	PTFE	1
5	Sealing	PTFE	2
6	Ball	Stainless Steel (304)	1
7	Gasket	PTFE	1
8	Stem	Stainless Steel (304)	1
9	O-ring	EPDM*	2

*FKM (VITON) AVAILABLE UPON REQUEST

SEB-S

TWO WAY 1-1/4" - 2"

Stainless steel ball valves ranging from 1- 1/4" up to 2" are standard provided with EPDM/ PTFE seals, position indicator and manual override. The valve is standard Normally Closed when equipped with a Farah Capacitor; also known as Failsafe (wiring diagram 202 or 502). Normally Open version available upon request. Valve connection is according to ISO 5211.

Other configurations are available upon request, such as:

- Modulating version
- FKM seals
- Timer drain version



TECHNICAL FEATURES

CONNECTION SIZE
BSPP / NPT 1-1/4" - 2"

MAXIMUM WORKING PRESSURE
1.0 MPa

MEDIUM
Fluids, air

WORKING VOLTAGE
DC: 12V, 24V, 12-24V | AC: 24V, 110-230V

WORKING CURRENT
≤1,5A

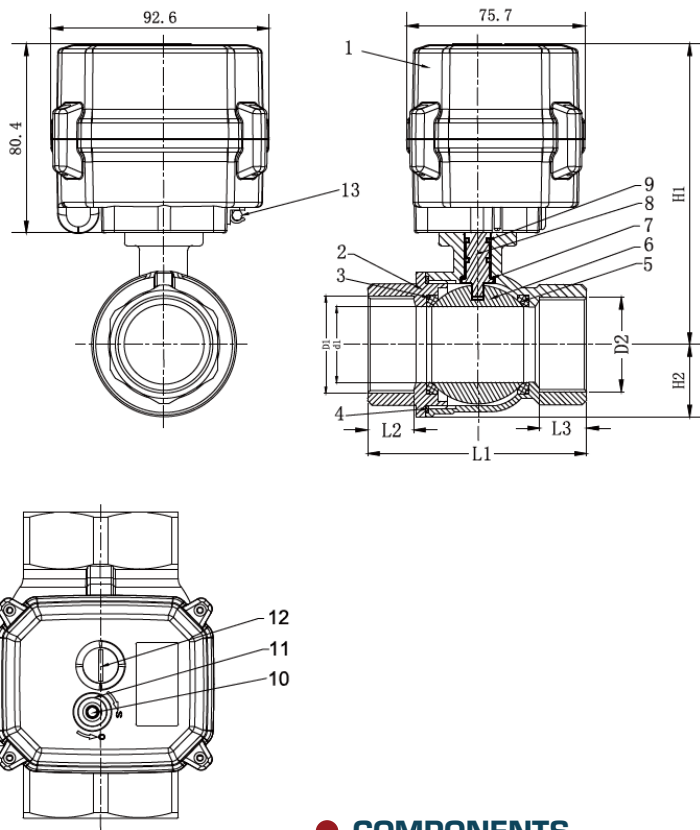
OPEN/CLOSE TIME
≤12S

EXPECTED LIFETIME
70.000 cycles

ACTUATOR ROTATION
90°

TORQUE FORCE
15 N.m

CABLE LENGTH
3M



DIMENSIONS

CODE	D1/D2	D1 ±.3	L1 ±1	L2/L3±1	E1 ±0.5	H1 ±1	H2
SEB-54S	G 1-1/4"	32	102	25	47	125,4	31
SEB-55S	NPT 1-1/4"						
SEB-32S	G 1-1/2"	38	114	26	54	132,4	36
SEB-33S	NPT 1-1/2"						
SEB-02S	G 2"	49	130	27	66	140,4	44,5
SEB-20S	NPT 2"						

COMPONENTS

No.	Name	Material	Quantity
1	Actuator	PPO	1
2	Body & Cover	Stainless Steel (304)	1
3	O-ring	EPDM	2
4	Sealing	PTFE	1
5	Sealing	PTFE	2
6	Ball	Stainless Steel (304)	1
7	Gasket	PTFE	1
8	Stem	Stainless Steel (304)	1
9	O-ring	EPDM	2
10	Manual Shaft	Stainless Steel (303)	1
11	Oil-Seal	NBR	1
12	Indicator	PC	1
13	Hex Key	Stainless Steel (303)	1

*FKM (VITON) AVAILABLE UPON REQUEST

SEB-S-E20

TWO WAY BATTERY VERSION

Stainless steel ball valve with battery actuator. It communicates through LoRaWAN protocol. Standard configuration consists of EPDM/ PTFE seals, a position indicator, Manual Override and female thread (BSPP or NPT). Also available with FKM (Viton) seals.



TECHNICAL FEATURES

CONNECTION SIZE

BSPP / NPT 1/4" - 1"

MAXIMUM WORKING PRESSURE

1.0 MPa

MEDIUM

Fluids, air

LOCKED ROTOR CURRENT

500mA

VOLTAGE

DC 3V

OPEN/CLOSE TIME

≤5S

EXPECTED LIFETIME

70.000 cycles

ACTUATOR ROTATION

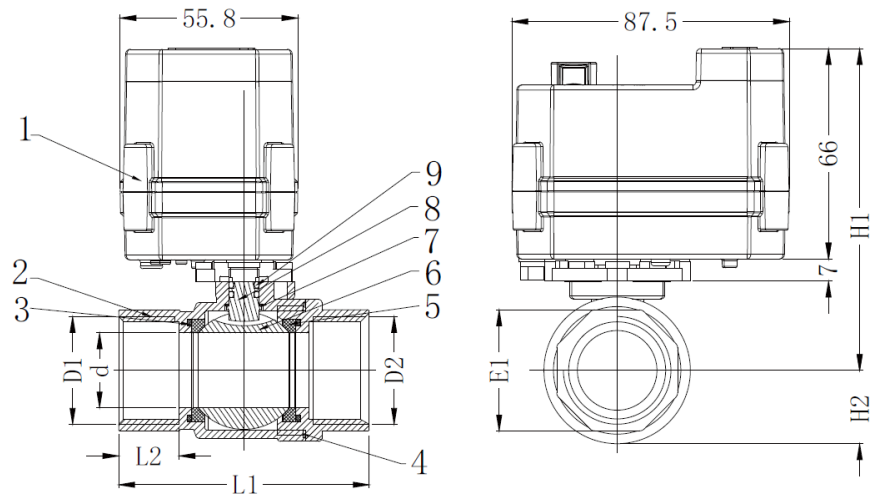
90°

TORQUE FORCE

3 N.m

PROTOCOL

LORAWAN 868 MHZ 915 MHZ



DIMENSIONS

CODE	D1/D2	D ±.3	L1 ±1	L2±1	E1 ±0.5	H1 ±1	H2
SEB-14S-E20	G 1/4"	10	51	12	21	94	14
SEB-15S-E20	NPT 1/4"						
SEB-38S-E20	G 3/8"	10	51	12	21	94	14
SEB-39S-E20	NPT 3/8"						
SEB-12S-E20	G 1/2"	15	62	14	25	96	17
SEB-13S-E20	NPT 1/2"						
SEB-34S-E20	G 3/4"	20	72	17	31	99,5	20
SEB-35S-E20	NPT 3/4"						
SEB-01S-E20	G 1"	25	79	18	38	102,5	24.5
SEB-10S-E20	NPT 1"						

COMPONENTS

No.	Name	Material	Quantity
1	Actuator	PPO	1
2	Body & Cover	Stainless Steel 304	1
3	O-ring	EPDM*	2
4	Sealing Gasket	PTFE	1
5	Valve Seat	PTFE	2
6	Ball	Stainless Steel (304)	1
7	Gasket	PTFE	1
8	Valve Stem	Stainless Steel (304)	1
9	O-ring	EPDM*	2

*FKM (VITON) AVAILABLE UPON REQUEST

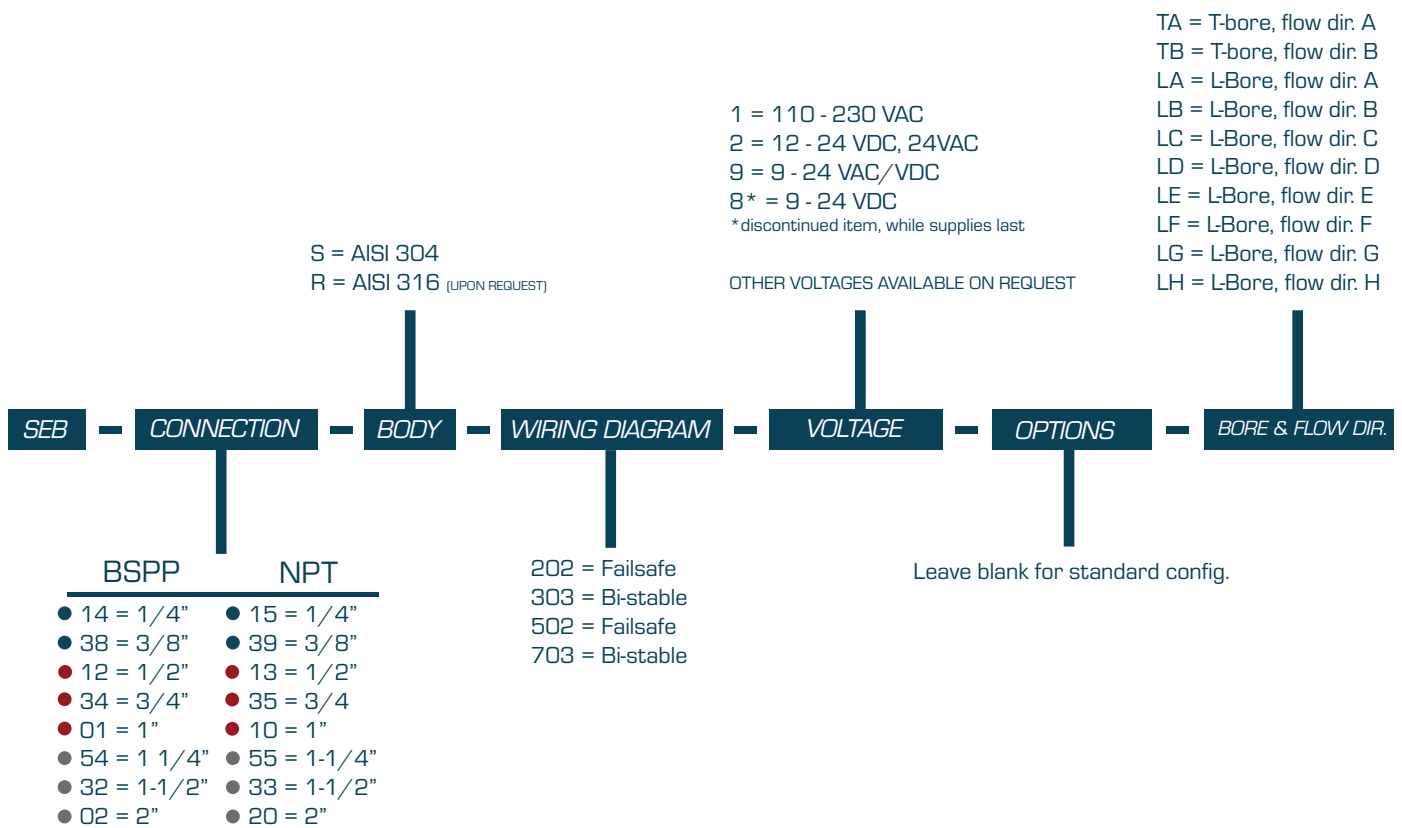
STAINLESS STEEL BALL VALVES

THREE WAY

All electric ball valves can be used with different fluids. The stainless steel electric ball valves are made of high-quality AISI 304 stainless steel. The actuator is made of PPO (Polyphenylene Oxid): a high-performance thermoplastic known for its exceptional thermal stability and good electrical insulation properties. The actuator is IP67. Suitable temperature range: ambient: -15°C – 55°C, media: 2°C – 90°C. All products are 100% tested for failures and leakage with air (6 bar) and water and 20 minutes open-close.

When ordering a three way ball valve, please take into account the type of bore and flow direction.

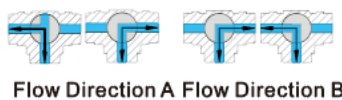
Never exceed the recommended voltage.



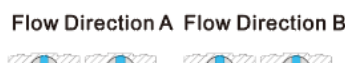
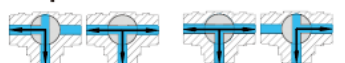
Ordering instructions

When ordering, please take into account the type of bore and flow direction.

L port



T port

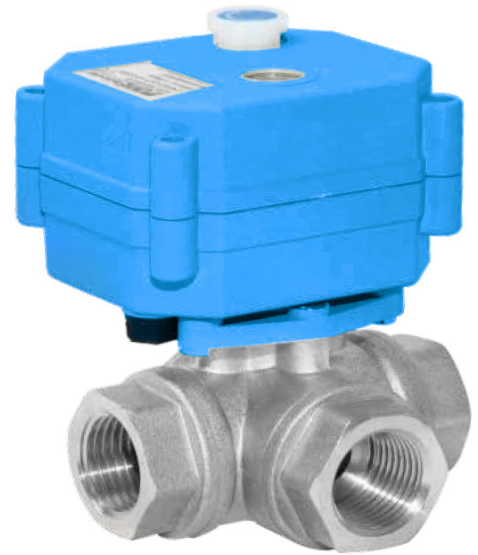


SEB-S -L

THREE WAY 1/4" - 3/8"

Stainless steel ball valves are standard provided with EPDM/ PTFE seals, a position indicator, female thread (BSPP or NPT) and are Normally Closed if wiring diagram 202 or 502 is selected. Manual override and Normally Open are optional. Valve connection is according to ISO 5211. Other configurations are available upon request, such as:

- Wireless version
- Timer drain version
- Battery version
- Modulating version
- FKM seals



TECHNICAL FEATURES

CONNECTION SIZE

BSPP / NPT 1-1/4" - 2"

MAXIMUM WORKING PRESSURE

1.0 MPa

WORKING VOLTAGE

DC: 12V, 24V | AC: 24V, 230V

OPEN/CLOSE TIME

≤15S

EXPECTED LIFETIME

70.000 cycles

SEALING MATERIAL

EPDM & PTFE

ACTUATOR ROTATION

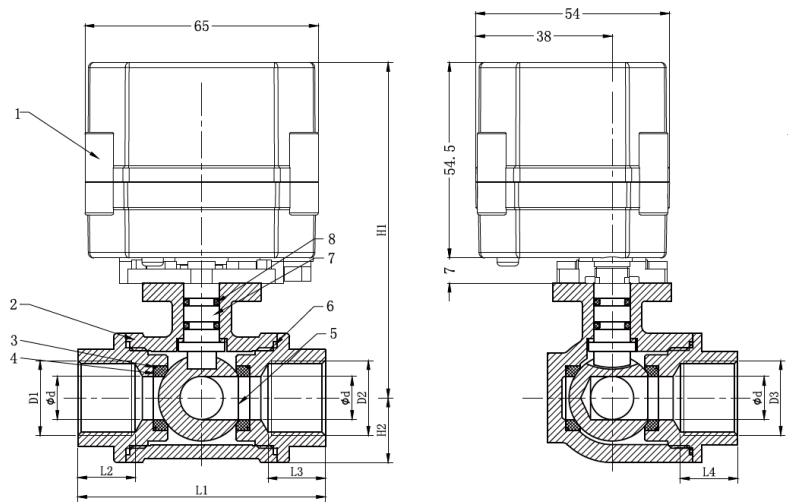
90°

TORQUE FORCE

50 N.m

CABLE LENGTH

3M



DIMENSIONS

Connection	D1/D2/D3	d ±0,5	L1±1	L2/L3/L4±0,5	H1±1	H2
SEB-14S-...T or L	G 1/4"	6	52	11	71	14
SEB-15S-...T or L	NPT 1/4"					
SEB-38S-...T or L	G 3/8"	6	52	11	71	14
SEB-39S-...T or L	NPT 3/8"					

COMPONENTS

No.	Name	Material	Quantity
1	Actuator	PPO	1
2	Valve Body	Stainless Steel 304	1
3	O-ring	PTFE	4
4	Valve Seat	PTFE	4
5	Ball	Stainless Steel 304	1
6	Sealing Gasket	PTFE	3
7	Valve Stem	Stainless Steel 304	1
8	O-ring	EPDM*	2

*FKM (VITON) AVAILABLE UPON REQUEST

SEB-S-L

THREE WAY 1/2" - 1"

Stainless steel ball valves are standard provided with EPDM/ PTFE seals, a position indicator, female thread (BSPP or NPT) and are Normally Closed if wiring diagram 202 or 502 is selected. Manual override and Normally Open are optional. Valve connection is according to ISO 5211. Other configurations are available upon request, such as:

- Wireless version
- Timer drain version
- Battery version
- Modulating version
- FKM seals



TECHNICAL FEATURES

CONNECTION SIZE
BSPP / NPT 1/2" - 1"

MAXIMUM WORKING PRESSURE
1.0 MPa

WORKING VOLTAGE
DC: 12V, 24V, 12-24V | AC: 24V, 230V

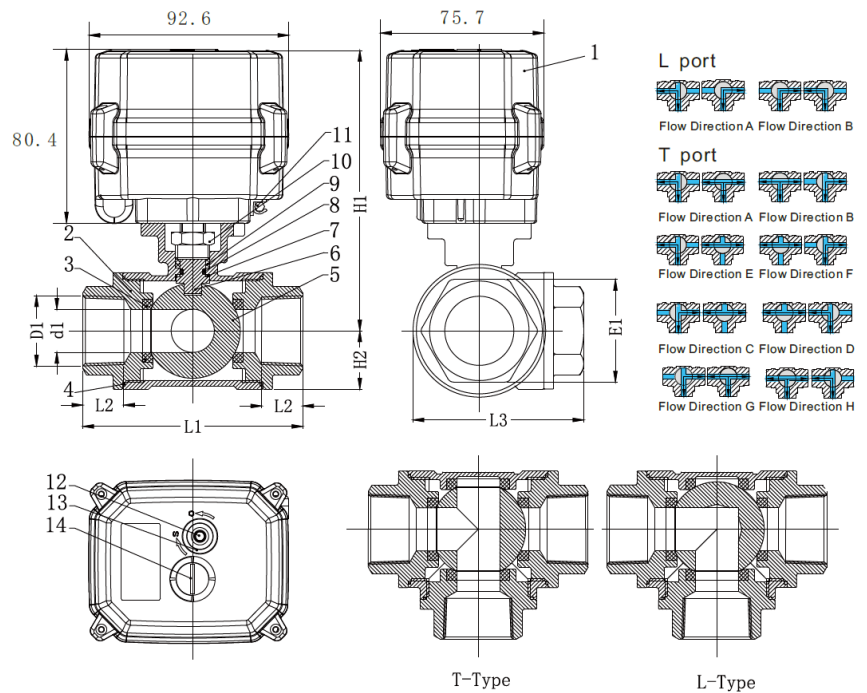
OPEN/CLOSE TIME
≤12S

EXPECTED LIFETIME
70.000 cycles

ACTUATOR ROTATION
90°

TORQUE FORCE
15 N.m

CABLE LENGTH
3M



DIMENSIONS

Connection	D1	d1 ±0,3	L1±1	L2±1	E1±0,5	H1±1	H2	L3
SEB-12S-...T or L	G 1/2"	12	70	18	25	118	18	53
SEB-13S-...T or L	NPT 1/2"							
SEB-34S-...T or L	G 3/4"	15	79	20	31	122,4	21	60
SEB-35S-...T or L	NPT 3/4"							
SEB-01S-...T or L	G 1"	18	86	20	38	131	23,5	68
SEB-10S-...T or L	NPT 1"							

COMPONENTS

No.	Name	Material	Quantity
1	Actuator	PPO	1
2	Valve Body	Stainless Steel 304	1
3	Valve Seat	PTFE	4
4	Sealing Gasket	PTFE	3
5	Ball	Stainless Steel 304	1
6	Valve Stem	Stainless Steel 304	1
7	Gasket	PTFE	1

No.	Name	Material	Quantity
8	Oil-Seal	EPDM*	1
9	Packing	PTFE	2
10	Packing Gland	Stainless Steel 304	1
11	Hex Key	Stainless Steel 303	1
12	Manual Shaft	Stainless Steel 303	1
13	Oil-Seal	NBR	1
14	Indicator	PC	1

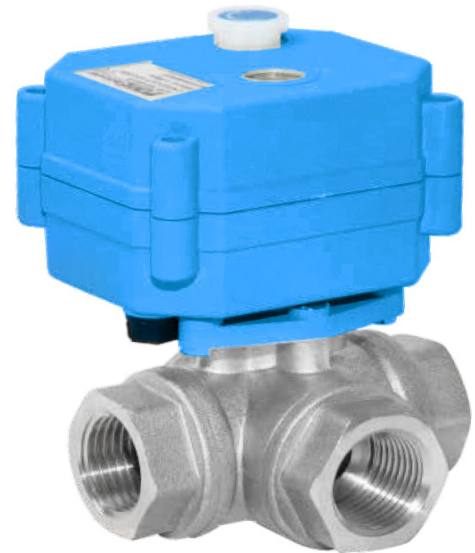
*FKM (VITON) AVAILABLE UPON REQUEST

SEB-S-L

THREE WAY 1-1/4" - 2"

Stainless steel ball valves are standard provided with EPDM/ PTFE seals, a position indicator, female thread (BSPP or NPT) and are Normally Closed if wiring diagram 202 or 502 is selected. Manual override and Normally Open are optional. Valve connection is according to ISO 5211. Other configurations are available upon request, such as:

- Wireless version
- Battery version
- Modulating version
- Timer drain version
- FKM seals



TECHNICAL FEATURES

CONNECTION SIZE

BSPP / NPT 1-1/4" - 2"

MAXIMUM WORKING PRESSURE

1.0 MPa

WORKING VOLTAGE

DC: 12V, 24V | AC: 24V, 230V

OPEN/CLOSE TIME

≤15S

EXPECTED LIFETIME

70.000 cycles

ACTUATOR ROTATION

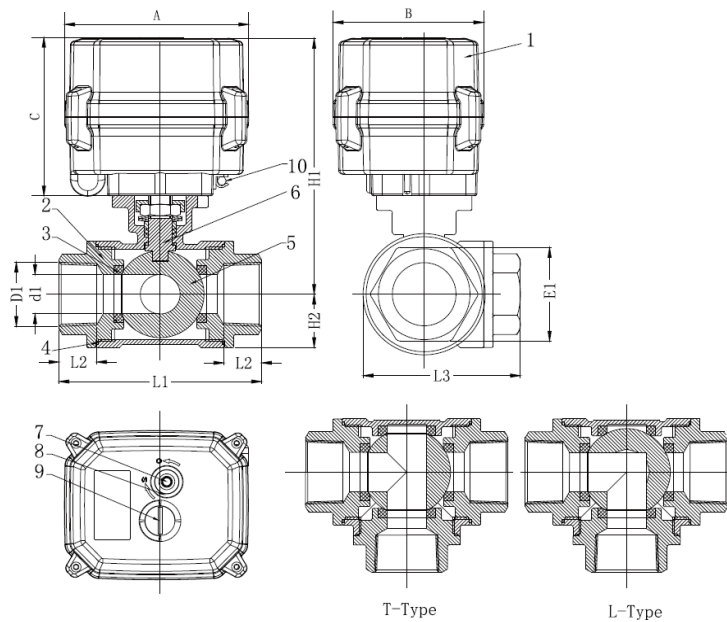
90°

TORQUE FORCE

50 N.m

CABLE LENGTH

3M



DIMENSIONS

Connection	D1	A	B	C	d1 ±0,5	L1±1	L2±1	E1±0,5	H1±1	H2	L3
SEB-54S-...-T or L	G 1-1/4"	126,4	105,8	88,8	25	114	25	48	148	33	90
SEB-55S-...-T or L	NPT 1-1/4"										
SEB-32S-...-T or L	G 1-1/2"	126,4	105,8	88,8	32	132	30,5	54	161	39	105
SEB-33S-...-T or L	NPT 1-1/2"										
SEB-02S-...-T or L	G 2"	126,4	105,8	88,8	38	145	31,5	48	166	44,5	115
SEB-20S-...-T or L	NPT 2"										

COMPONENTS

No.	Name	Material	Quantity
1	Actuator	PPO	1
2	Valve Body	Stainless Steel 304	1
3	Valve Seat	PTFE	4
4	Sealing Gasket	PTFE	3
5	Ball	Stainless Steel 304	1
6	Valve Stem	Stainless Steel 304	1
7	Gasket	PTFE	1

No.	Name	Material	Quantity
8	Oil-Seal	EPDM*	1
9	Packing	PTFE	2
10	Packing Gland	Stainless Steel 304	1
11	Wrench	Stainless Steel 303	1
12	Manual Shaft	Stainless Steel 303	1
13	Oil-Seal	NBR	1
14	Indicator	PC	1

*FKM (VITON) AVAILABLE UPON REQUEST

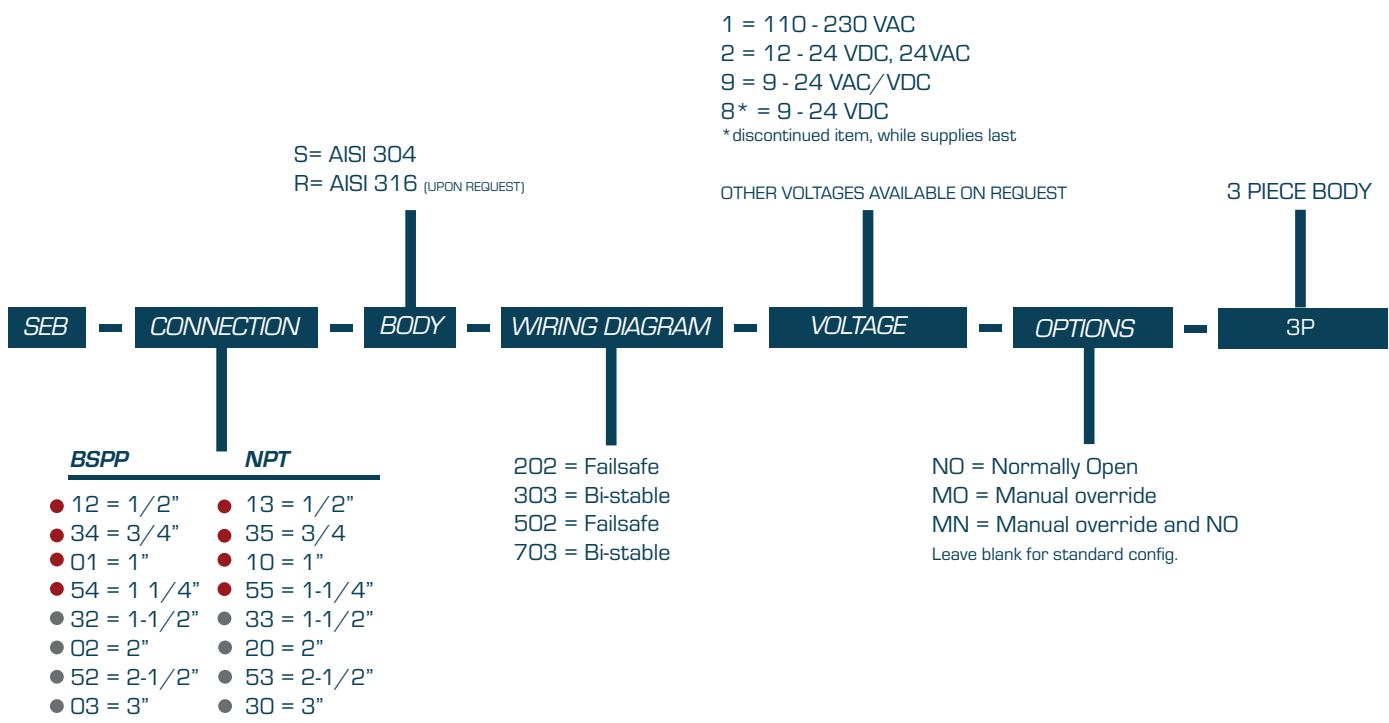
STAINLESS STEEL ELECTRIC BALL VALVE

THREE PIECE

All electric ball valves can be used with different fluids. The stainless steel electric ball valves are made of high-quality AISI 304 stainless steel or AISI 316 on request. The actuator is made of PPO (Polyphenylene Oxid); a high-performance thermoplastic known for its exceptional thermal stability and good electrical insulation properties. The actuator is IP67. Suitable temperature range: ambient: -15°C – 55°C, media: 2°C – 90°C. All products are 100% tested for failures and leakage with air (6bar) and water and 20 minutes open-close.

The three-piece version makes it easier to disassemble the electric ball valve from an installation. Three piece ball valves are generally suited for higher pressures than standard ball valves. For this series, stronger actuators are used to ensure durability.

Never exceed the recommended voltage.



Note: Different sizes use different actuators. Ball valves with larger connections require a more powerful actuator. This is indicated with different colors.

SEB-S-3P

THREE PIECE 1/2" - 1-1/4"

These electric ball valves are equipped with a Manual Override, EPDM/ PTFE seals, position indicator, female thread (BSPP or NPT) and are Normally Closed if wiring diagram 202 or 502 is selected. Normally Open is optional. Valve connection is according to ISO 5211. FKM seals available upon request.



TECHNICAL FEATURES

CONNECTION SIZE
BSPP / NPT 1/2" - 1-1/4"

MAXIMUM WORKING PRESSURE
1.6 MPa

MEDIUM
Fluids, air

WORKING VOLTAGE
DC: 12V, 24V, 12-24V | AC: 24V, 110-230V

WORKING CURRENT
≤1,5A

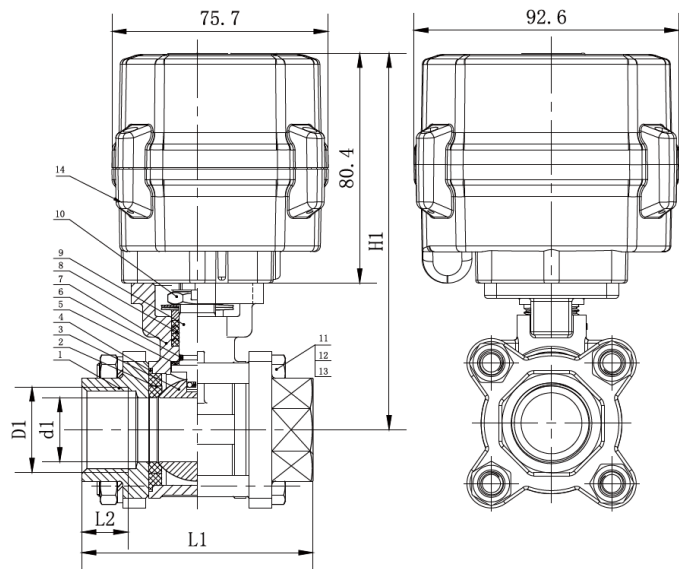
OPEN/CLOSE TIME
≤12S

EXPECTED LIFETIME
70.000 cycles

ACTUATOR ROTATION
90°

TORQUE FORCE
15 N.m

CABLE LENGTH
3M



DIMENSIONS

Connection	D1	d1 ±1	L1 ±1	L2±1	H1 ±1
SEB-12S...-3P	G 1/2"	15	68	14	123,4
SEB-13S...-3P	NPT 1/2"				
SEB-34S...-3P	G 3/4"	20	80	16	127,4
SEB-35S...-3P	NPT 3/4"				
SEB-01S...-3P	G 1"	25	87	17	136,4
SEB-10S...-3P	NPT 1"				
SEB-54S...-3P	G 1-1/4"	32	100	18	140,4
SEB-55S...-3P	NPT 1-1/4"				

COMPONENTS

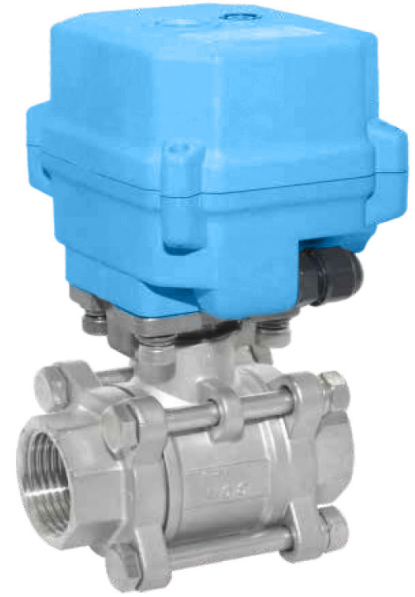
No.	Name	Material	Quantity
1	Actuator	PPO	1
2	Body & Cover	Stainless Steel (304)	1
3	O-ring	EPDM	2
4	Sealing	PTFE	1
5	Sealing	PTFE	2
6	Ball	Stainless Steel (304)	1
7	Gasket	PTFE	1
8	Stem	Stainless Steel (304)	1
9	O-ring	EPDM	2

FKM (VITON) SEALS AVAILABLE UPON REQUEST

SEB-S-3P

THREE PIECE 1-1/2" - 3"

These electric ball valves are equipped with a Manual Override, EPDM/ PTFE seals, position indicator, female thread (BSPP or NPT) and are Normally Closed if wiring diagram 202 or 502 is selected. Normally Open is optional. Valve connection is according to ISO 5211. FKM seals available upon request.



TECHNICAL FEATURES

CONNECTION SIZE

BSPP / NPT 1-1/2" - 3"

MAXIMUM WORKING PRESSURE

1.0 MPa

WORKING VOLTAGE

DC: 12V, 24V | AC: 24V, 230V

OPEN/CLOSE TIME

≤15S

EXPECTED LIFETIME

70.000 cycles

ACTUATOR ROTATION

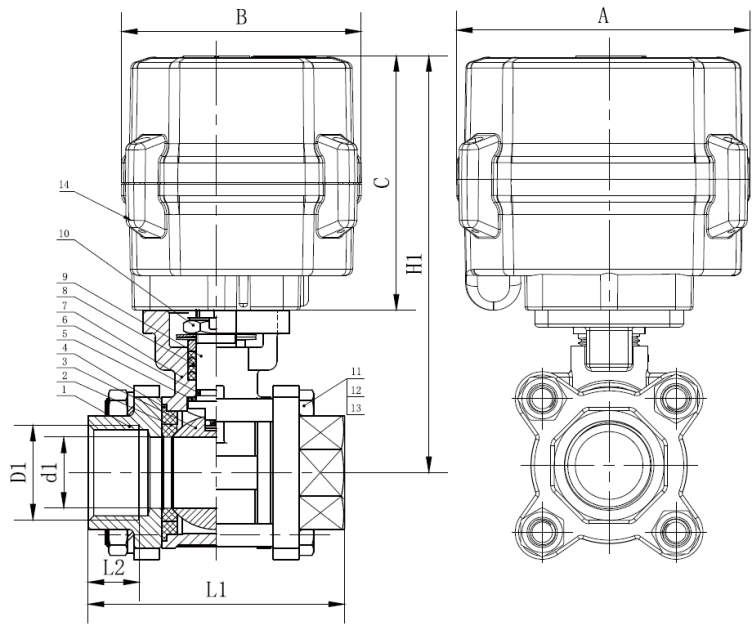
90°

TORQUE FORCE

50 N.m

CABLE LENGTH

3M



DIMENSIONS

Connection	D1	A	B	C	d1 ±0,5	L1±2	L1±2	H1±2
SEB-32S....-3P	G 1-1/2"	126,4	105,8	88,8	38	109	22	160,8
SEB-33S....-3P	NPT 1-1/2"							
SEB-02S....-3P	G 2"	126,4	105,8	88,8	49	134	27	167,8
SEB-02S....-3P	NPT 2"							
SEB-54S....-3P	G 2-1/2"	126,4	105,8	88,8	65	165	34	184,8
SEB-55S....-3P	NPT 2-1/2"							
SEB-03S....-3P	G 3"	126,4	105,8	88,8	80	192,5	38	197,8
SEB-30S....-3P	NPT 3"							

COMPONENTS

No.	Name	Material	Quantity
1	Bonnet	Stainless steel 304	2
2	Valve seat	PTFE	2
3	Ball	Stainless steel 304	1
4	Sealing gasket	PTFE	2
5	Gasket	PTFE	1
6	O-ring	EPDM*	1
7	Valve body	Stainless steel 304	1
8	Packing	PTFE	2
9	Valve Stem	Stainless steel 304	1
10	Packing Gland	Stainless Steel 304	1
11	Bolt	Stainless Steel 304	4
12	Spring Washer	Stainless Steel 304	4
13	Nut	Stainless Steel 304	4
14	Actuator	PPO	1

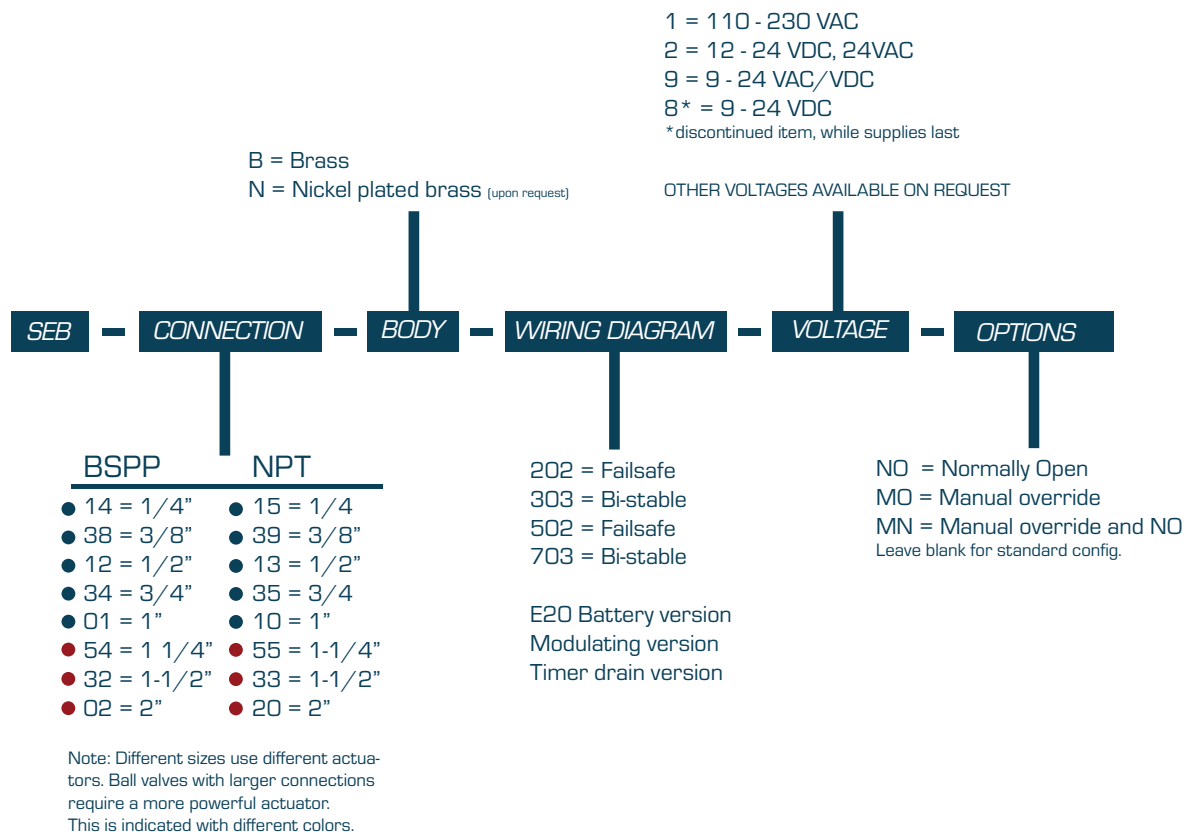
FKM (VITON) AVAILABLE UPON REQUEST

BRASS ELECTRIC BALL VALVE

TWO WAY

All electric ball valves can be used with different fluids. The valve body of SEB-B is made of brass and the actuator is made of PPO (Polyphenylene Oxid): a high-performance thermoplastic known for its exceptional thermal stability and good electrical insulation properties. The actuator is IP67. Suitable temperature range: ambient: -15°C – 55°C, media: 2°C – 90°C. All products are 100% tested for failures and leakage with air (6bar) and water and 20 minutes open-close.

Never exceed the recommended voltage.



SEB-B

TWO WAY 1/4" - 1"

SEB-B ball valves are standard provided with EPDM/ PTFE seals, a position indicator, female thread (BSPP or NPT) and are Normally Closed if wiring diagram 202 or 502 is selected. Manual Override and Normally Open are optional. Other configurations are available upon request, such as:

- Wireless version
- Timer drain version
- Battery version
- Modulating version
- FKM seals



Displayed without manual override

TECHNICAL FEATURES

CONNECTION SIZE

BSPP / NPT 1/4" - 1"

MAXIMUM WORKING PRESSURE

1.0 MPa

MEDIUM

Fluids, air

WORKING VOLTAGE

DC: 5V, 12V, 24V, 9-24V | AC: 9 - 24V

WORKING CURRENT

≤500 mA

OPEN/CLOSE TIME

≤5S

EXPECTED LIFETIME

70.000 cycles

VALVE BODY MATERIAL

Brass

ACTUATOR ROTATION

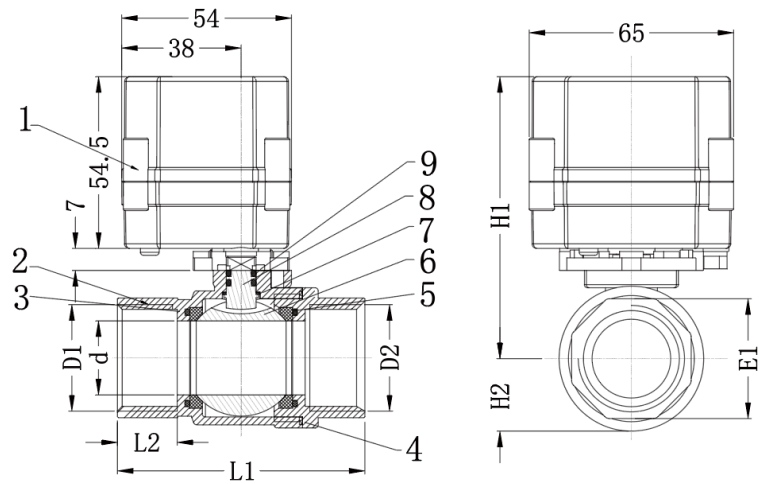
90°

TORQUE FORCE

3 N.m

CABLE LENGTH

3M



DIMENSIONS

Connection	D1/D2	D ±.3	L1 ±1	L2±1	E1 ±0.5	H1 ±1	H2
SEB-14B	G 1/4"	8	50	12	20.5	67,5	12
SEB-15B	NPT 1/4"						
SEB-38B	G 3/8"	10	50	12	20.5	67,5	12
SEB-39B	NPT 3/8"						
SEB-12B	G 1/2"	15	57	12	25	71	16
SEB-13B	NPT 1/2"						
SEB-34B	G 3/4"	20	65.5	15	31	74,5	19
SEB-35B	NPT 3/4"						
SEB-01B	G 1"	23.5	71.5	16	38	76,5	22
SEB-10B	NPT 1"						

COMPONENTS

No.	Name	Material	Quantity
1	Actuator	PPO	1
2	Body	Brass	1
3	O-ring	EPDM*	2
4	Valve Seat	PTFE	2
5	Ball	Stainless Steel (304)	1
6	Valve Stem	Brass	1
7	O-ring	EPDM*	2

*FKM (VITON) AVAILABLE UPON REQUEST

SEB-B

TWO WAY 1-1/4" - 2"

SEB-B ball valves are standard provided with Manual Override, EPDM/ PTFE seals, a position indicator, female thread (BSPP or NPT) and are Normally Closed if wiring diagram 202 or 502 is selected. Normally Open is optional. Other configurations are available upon request, such as:

- Wireless version
- Timer drain version
- Battery version
- Modulating version
- FKM seals



Displayed: smaller version with MO

TECHNICAL FEATURES

CONNECTION SIZE
BSPP / NPT 1-1/4" - 2"

MAXIMUM WORKING PRESSURE
1.0 MPa

MEDIUM
Fluids, air

WORKING VOLTAGE
DC: 12V, 24V, 12-24V | AC: 24V, 110-230V

WORKING CURRENT
≤1,5A

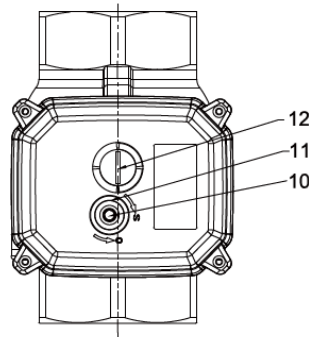
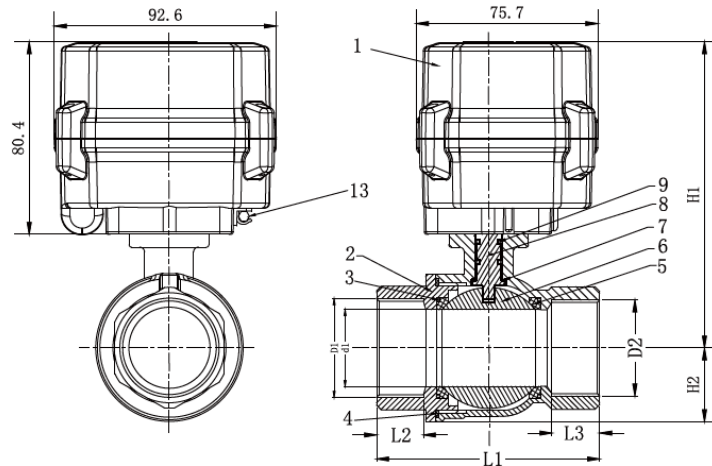
OPEN/CLOSE TIME
≤12S

EXPECTED LIFETIME
70.000 cycles

ACTUATOR ROTATION
90°

TORQUE FORCE
15 N.m

CABLE LENGTH
3M



COMPONENTS

No.	Name	Material	Quantity
1	Actuator	PPO	1
2	Valve Body	Brass	1
3	O-ring	EPDM*	2
4	Sealing	PTFE	1
5	Valve Seat	PTFE	2
6	Ball	SS 304	1
7	Gasket	PTFE	1
8	Valve Stem	SS 304	1
9	O-ring	EPDM*	2
10	Screw 4x	SS 303	1
11	Oil-Seal	NBR	1
12	Indicator	PC	1
13	Hex Key	SS 303	1

*FKM (VITON) AVAILABLE UPON REQUEST

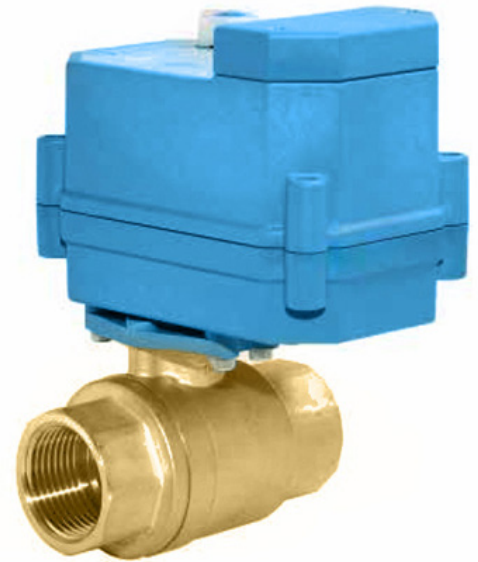
DIMENSIONS

Connection	D1/D2	D1 ±.3	L1 ±1	L2/L3±1	E1 ±0.5	H1 ±1	H2
SEB-54B	G 1-1/4"	32	102	25	47	125,4	31
SEB-55B	NPT 1-1/4"						
SEB-32B	G 1-1/2"	38	114	26	54	132,4	36
SEB-33B	NPT 1-1/2"						
SEB-02B	G 2"	49	130	27	66	140,4	44,5
SEB-20B	NPT 2"						

SEB-B-E20

TWO WAY BATTERY VERSION

Brass ball valve with battery actuator. It communicates through LoRaWAN protocol. Standard configuration consists of EPDM/ PTFE seals, position indicator, Manual Override and female thread. Also available with nickel plated brass body and with FKM (Viton) seals.



TECHNICAL FEATURES

CONNECTION SIZE

BSPP / NPT 1/4" - 1"

MAXIMUM WORKING PRESSURE

1.0 MPa

MEDIUM

Fluids, air

LOCKED ROTOR CURRENT

500mA

VOLTAGE

DC 3V

OPEN/CLOSE TIME

≤5S

EXPECTED LIFETIME

70.000 cycles

ACTUATOR ROTATION

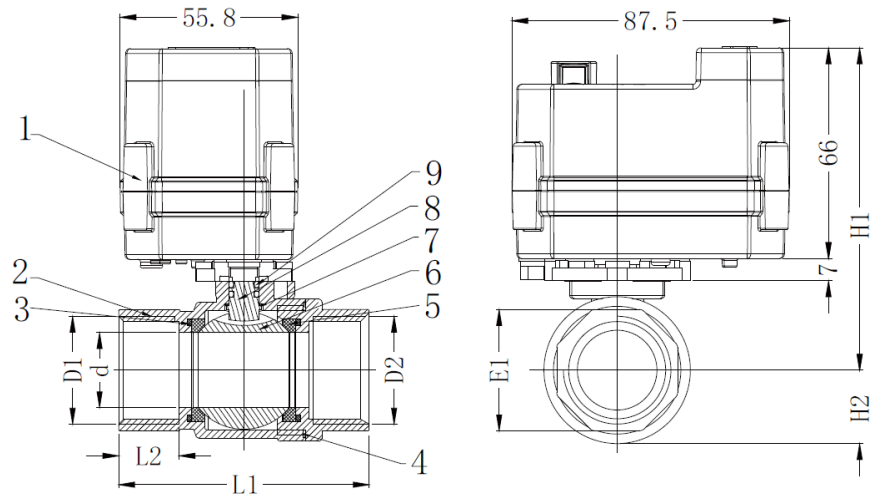
90°

TORQUE FORCE

3 N.m

PROTOCOL

LORAWAN 868 MHZ 915 MHZ



● DIMENSIONS

CODE	D1/D2	D1 ±.3	L1 ±1	L2±1	E1 ±0,5	H1 ±1,5	H2
SEB-14B-E20	G 1/4"	8	50	12	20,5	91,5	12
SEB-15B-E20	NPT 1/4"						
SEB-38B-E20	G 3/8"	10	50	12	20,5	91,5	12
SEB-39B-E20	NPT 3/8"						
SEB-12B-E20	G 1/2"	15	57	12	25	95	16
SEB-13B-E20	NPT 1/2"						
SEB-34B-E20	G 3/4"	20	65,5	15	31	100	19
SEB-35B-E20	NPT 3/4"						
SEB-01B-E20	G 1"	23,5	71,5	16	38	100,5	22
SEB-10B-E20	NPT 1"						

● COMPONENTS

No.	Name	Material	Quantity
1	Actuator	PPO	1
2	Body & Cover	Brass	1
3	O-ring	EPDM*	2
4	Valve Seat	PTFE	2
5	Ball	Stainless Steel (304)	1
6	Valve Stem	Stainless Steel (304)	1
7	O-ring	EPDM*	2

*FKM (VITON) AVAILABLE UPON REQUEST

BRASS ELECTRIC BALL VALVE

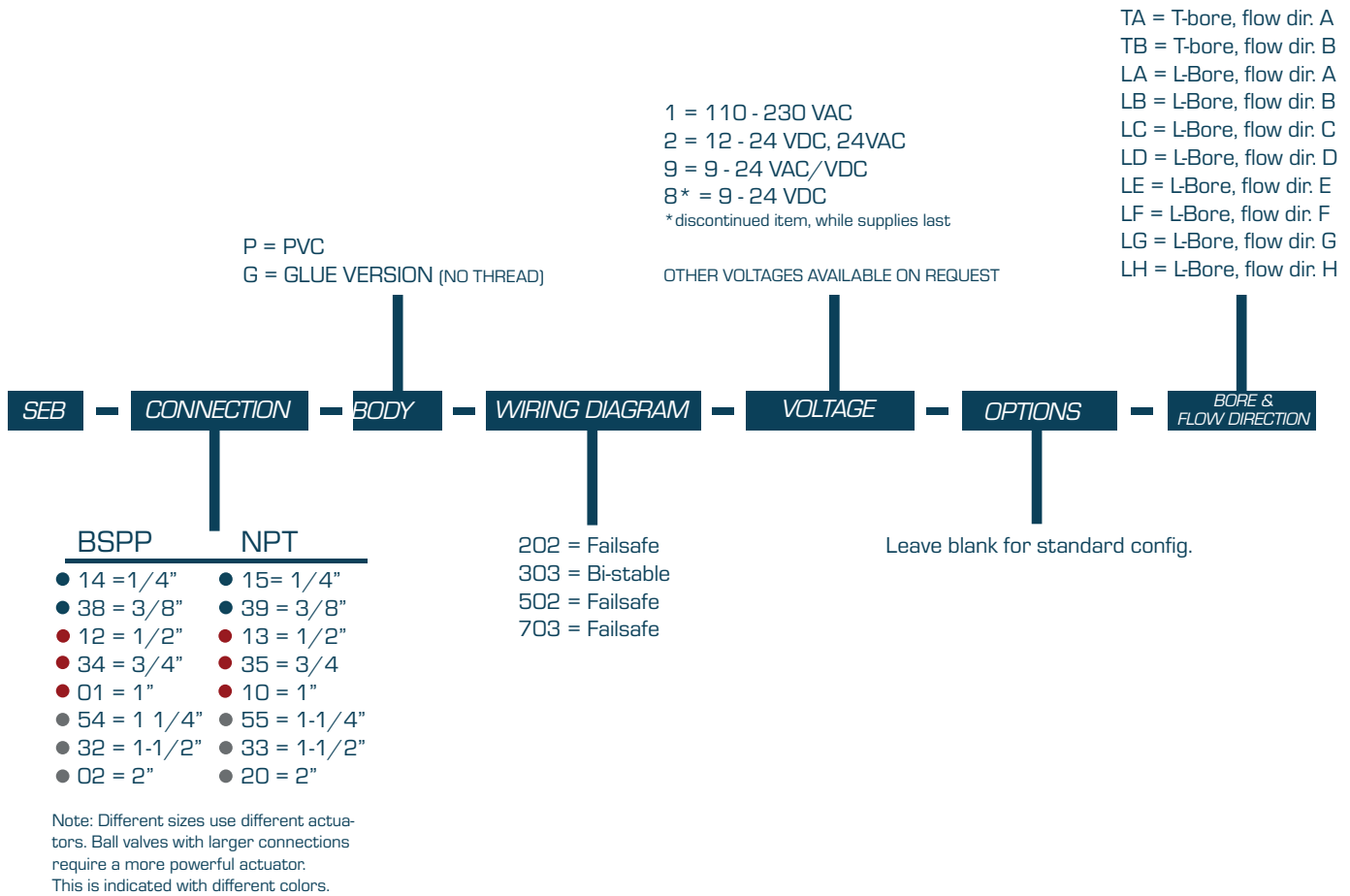
THREE WAY

All electric ball valves can be used with different fluids.

The valve body of SEB-B is made of brass and the actuator is made of PPO (Polyphenylene Oxid): a high-performance thermoplastic known for its exceptional thermal stability and good electrical insulation properties. The actuator is IP67. Suitable temperature range: ambient: -15°C – 55°C, media: 2°C – 90°C. All products are 100% tested for failures and leakage with air (6bar) and water and 20 minutes open-close.

When ordering a three way ball valve, please take into account the type of bore and flow direction.

Never exceed the recommended voltage.



L port



Flow Direction A Flow Direction B

T port



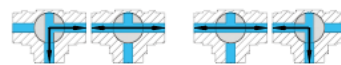
Flow Direction A Flow Direction B



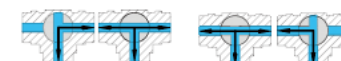
Flow Direction E Flow Direction F

Ordering instructions

When ordering, please take into account the type of bore and flow direction.



Flow Direction C Flow Direction D



Flow Direction G Flow Direction H

SEB-B

THREE WAY 1/4" - 3/8"

Brass ball valves are standard provided with EPDM/ PTFE seals, a position indicator, female thread (BSPP or NPT) and are Normally Closed if wiring diagram 202 or 502 is selected. Manual override and Normally Open are optional. Valve connection is according to ISO 5211. Other configurations are available upon request, such as:

- Wireless version
- Timer drain version
- Battery version
- Modulating version
- FKM seals



TECHNICAL FEATURES

CONNECTION SIZE

BSPP / NPT 1/4" & 3/8"

MAXIMUM WORKING PRESSURE

1.0 MPa

Working current

≤500mA

WORKING VOLTAGE

DC: 5V, 12V, 24V | AC: 9-24V, 110-230V

OPEN/CLOSE TIME

≤8S

EXPECTED LIFETIME

70.000 cycles

VALVE BODY MATERIAL

BRASS

ACTUATOR ROTATION

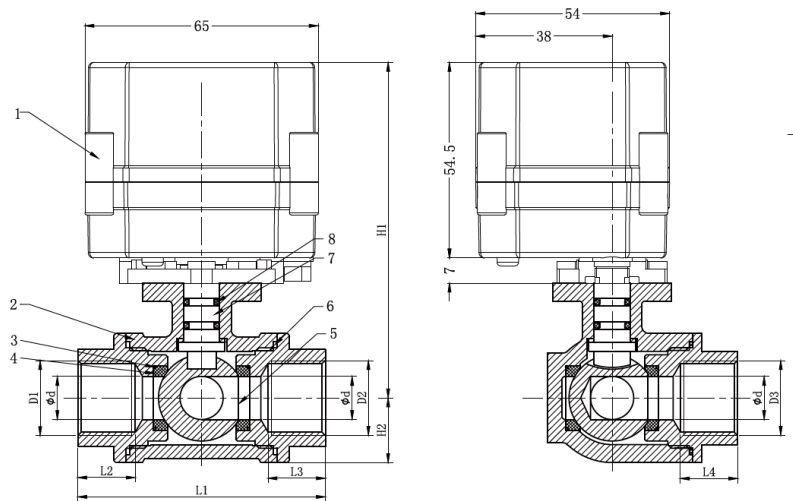
90°

TORQUE FORCE

3 N.m

CABLE LENGTH

3M



DIMENSIONS

CODE	D1/D2/D3	d ±0,5	L1±1	L2/L3/L4±0,5	H1±1	H2
SEB-54S-...T or L	G 1/4"	6	52	11	71	14
SEB-54S-...T or L	NPT 1/4"					
SEB-38S-...T or L	G 3/8"	6	52	11	71	14
SEB-39S-...T or L	NPT 3/8"					

COMPONENTS

No.	Name	Material	Quantity
1	Actuator	PPO	1
2	Valve Body	Stainless Steel 304	1
3	O-ring	PTFE	4
4	Valve Seat	PTFE	4
5	Ball	Stainless Steel 304	1
6	Sealing Gasket	PTFE	3
7	Valve Stem	Stainless Steel 304	1
8	O-ring	EPDM*	2

*FKM (VITON) AVAILABLE UPON REQUEST

SEB-B

THREE WAY 1/2" - 1"

Brass ball valves are standard provided with EPDM/ PTFE seals, a position indicator, female thread (BSPP or NPT) and are Normally Closed if wiring diagram 202 or 502 is selected. Manual override and Normally Open are optional. Valve connection is according to ISO 5211. Other configurations are available upon request, such as:

- Wireless version
- Timer drain version
- Battery version
- Modulating version
- FKM seals



TECHNICAL FEATURES

CONNECTION SIZE
BSPP / NPT 1/2" - 1"

MAXIMUM WORKING PRESSURE
1.0 MPa

WORKING VOLTAGE
DC: 12V, 24V, 12-24V | AC: 24V, 230V

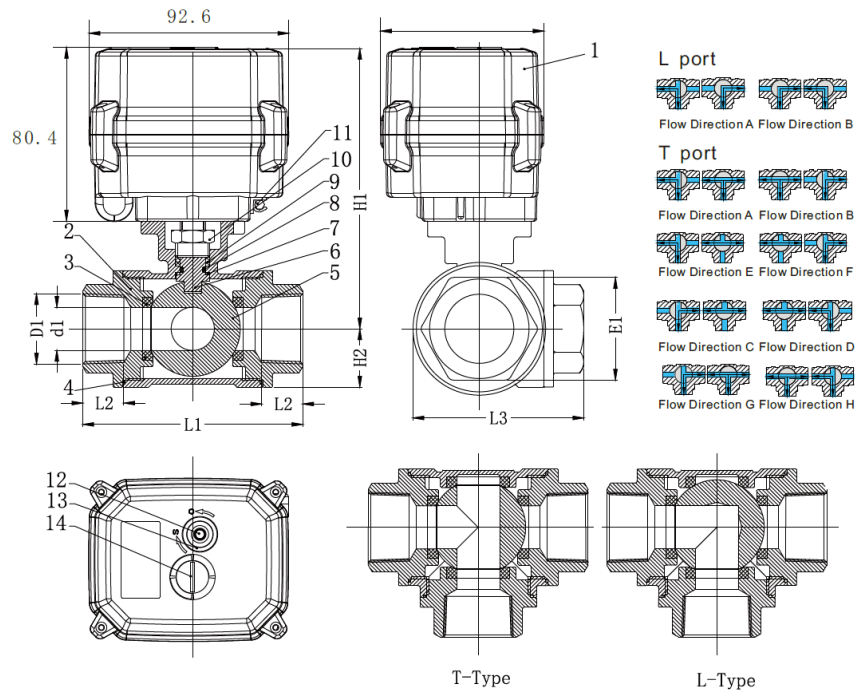
OPEN/CLOSE TIME
≤12S

EXPECTED LIFETIME
70.000 cycles

ACTUATOR ROTATION
90°

TORQUE FORCE
15 N.m

CABLE LENGTH
3M



DIMENSIONS

CODE	D1	d1 ±0,3	L1±1	L2±1	E1±0,5	H1±1	H2	L3
SEB-12B...T or L	G 1/2"	12	70	18	25	118	18	53
SEB-13B...T or L	NPT 1/2"							
SEB-34B...T or L	G 3/4"	15	79	20	31	122,4	21	60
SEB-35B...T or L	NPT 3/4"							
SEB-01B...T or L	G 1"	18	86	20	38	131	23,5	68
SEB-10B...T or L	NPT 1"							

COMPONENTS

No.	Name	Material	Quantity
1	Actuator	PPO	1
2	Valve Body	Stainless Steel 304	1
3	Valve Seat	PTFE	4
4	Sealing Gasket	PTFE	3
5	Ball	Stainless Steel 304	1
6	Valve Stem	Stainless Steel 304	1
7	Gasket	PTFE	1

No.	Name	Material	Quantity
8	Oil-Seal	EPDM*	1
9	Packing	PTFE	2
10	Packing Gland	Stainless Steel 304	1
11	Hex Key	Stainless Steel 303	1
12	Manual Shaft	Stainless Steel 303	1
13	Oil-Seal	NBR	1
14	Indicator	PC	1

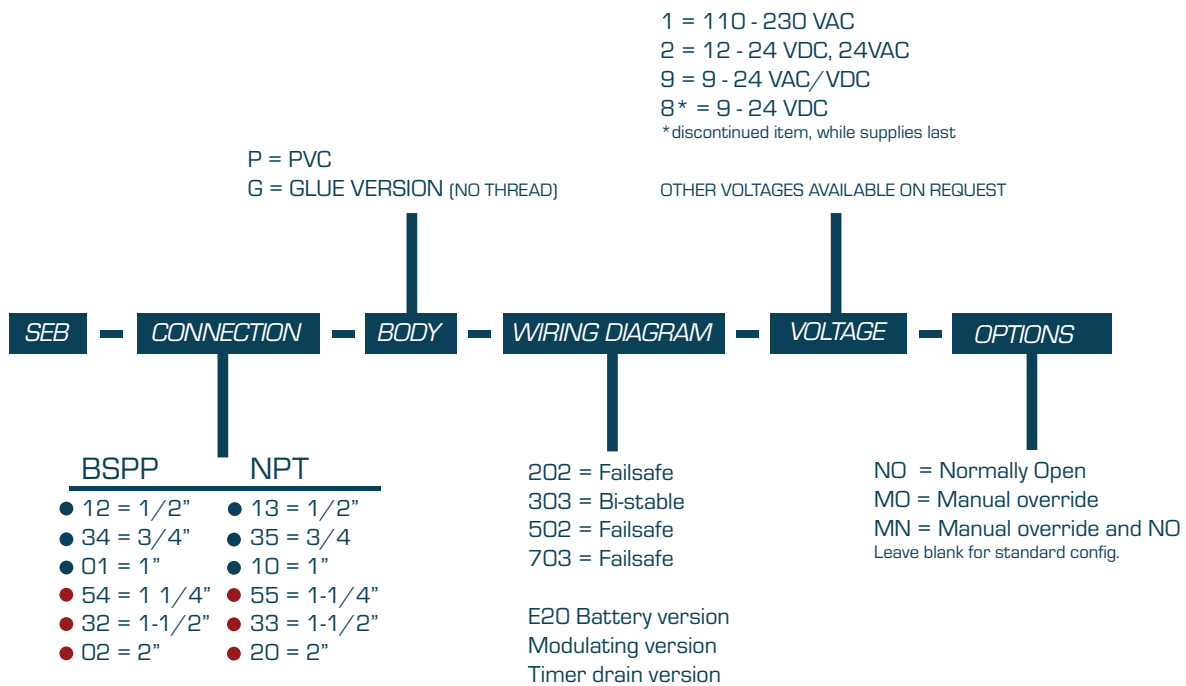
PVC ELECTRIC BALL VALVE

TWO WAY

All PVC ball valves can be used with different fluids and air. With air, please take into consideration that breakaway torque will increase, since the seals will not be lubricated naturally. This can impact the durability and longevity of the product.

The valve body of SEB-P is made of PVC and the actuator is made of PPO (Polyphenylene Oxid): a high-performance thermoplastic known for its exceptional thermal stability and good electrical insulation properties. The actuator is IP67. Suitable temperature range: ambient: -15°C – 55°C, media: 2°C – 55°C. All products are 100% tested for failures and leakage with air (6bar) and water and 20 minutes open-close.

Never exceed the recommended voltage.



SEB-P

TWO WAY 1/2" - 1"

PVC ball valves are standard provided with EPDM/ PTFE seals, a position indicator, female thread (BSPP or NPT) and are Normally Closed if wiring diagram 202 or 502 is selected. Manual override and Normally Open are optional.

Other configurations are available upon request, such as:

- Wireless version
- Timer drain version
- Battery version
- Modulating version
- FKM seals



TECHNICAL FEATURES

PRODUCT SIZE

BSP or Glue type 1/2 - 1"

MAXIMUM WORKING PRESSURE

1.0 MPa

WORKING VOLTAGE

DC: 5V, 12V, 24V, 9-24V | AC: 9-24V

OPEN/CLOSE TIME

≤8S

EXPECTED LIFETIME

70.000 cycles

ACTUATOR ROTATION

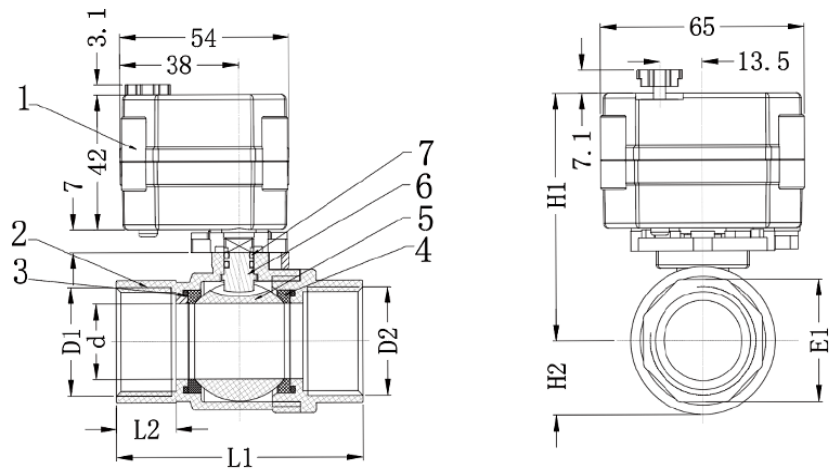
90°

TORQUE FORCE

3 N.m

CABLE LENGTH

3M



● DIMENSIONS

CODE	D1/D2	D ±.3	L1 ±1	L2±1	E1 ±0.5	H1 ±1	H2
SEB-12P	G 1/2"	14	60	12	29.5	76.3	19.5
SEB-13P	NPT 1/2"						
SEB-34P	G 3/4"	17	73	17	37	78	22
SEB-35P	NPT 3/4"						
SEB-01P	G 1"	23	80	18	43.5	83	26.5
SEB-10P	NPT 1"						

● COMPONENTS

No.	Name	Material	Quantity
1	Actuator	PPO	1
2	Body & Cover	UPVC	1
3	O-ring	EPDM	2
4	Sealing	PTFE	2
5	Ball	UPVC	1
6	Stem	UPVC + SS304	1
7	O-ring	FKM	1

SEB-P

TWO WAY 1-1/2" - 2"

PVC ball valves are standard provided with EPDM/ PTFE seals, a position indicator, have a Manual Override and are Normally Closed if wiring diagram 202 or 502 is selected. Normally Open is optional. Valve connection is according to ISO 5211. Other configurations are available upon request, such as:

- Wireless version
- Battery version
- FKM seals
- Timer drain version
- Modulating version



Product displayed with Heightening bracket

TECHNICAL FEATURES

PRODUCT SIZE

BSP or Glue type 1-1/2" - 2"

MAXIMUM WORKING PRESSURE

1.0 MPa

WORKING VOLTAGE

DC: 5V, 12V, 24V, 9-24V | AC: 9-24V

OPEN/CLOSE TIME

≤12S

EXPECTED LIFETIME

70.000 cycles

ACTUATOR ROTATION

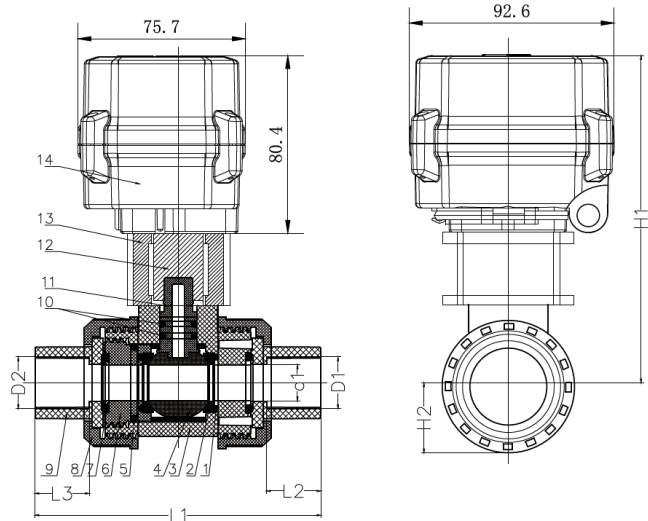
90°

TORQUE FORCE

15 N.m

CABLE LENGTH

3M



DIMENSIONS

CODE	D1/D2	D1 ±.3	L1 ±1	L2/3±1	h1 ±1	H2
SEB-54P	G 1-1/4"	32	144	32	162,4	42,75
SEB-55P	NPT 1-1/4"					
SEB-34P	G 1-1/2"	40	161	35	174	50
SEB-35P	NPT 1-1/2"					
SEB-02P	G 2"	50	173	38	194,4	60
SEB-20P	NPT 2"					

MATERIALS

No.	Name	Material	Quantity
1	O-ring	EPDM/FKM	2
2	Valve seat	PTFE	2
3	Valve body	UPVC	1
4	Ball	UPVC	1
5	O-ring	EPDM/FKM	2
6	Bonnet	UPVC	2
7	O-ring	EPDM/FKM	2
8	Gland	UPVC	2
9	Socket	UPVC	2
10	O-ring	EPDM/FKM	1
11	Valve Stem	UPVC	1
12	Coupling	PA/304	1
13	Holder	PA/304	1
14	Actuator	PPO	1

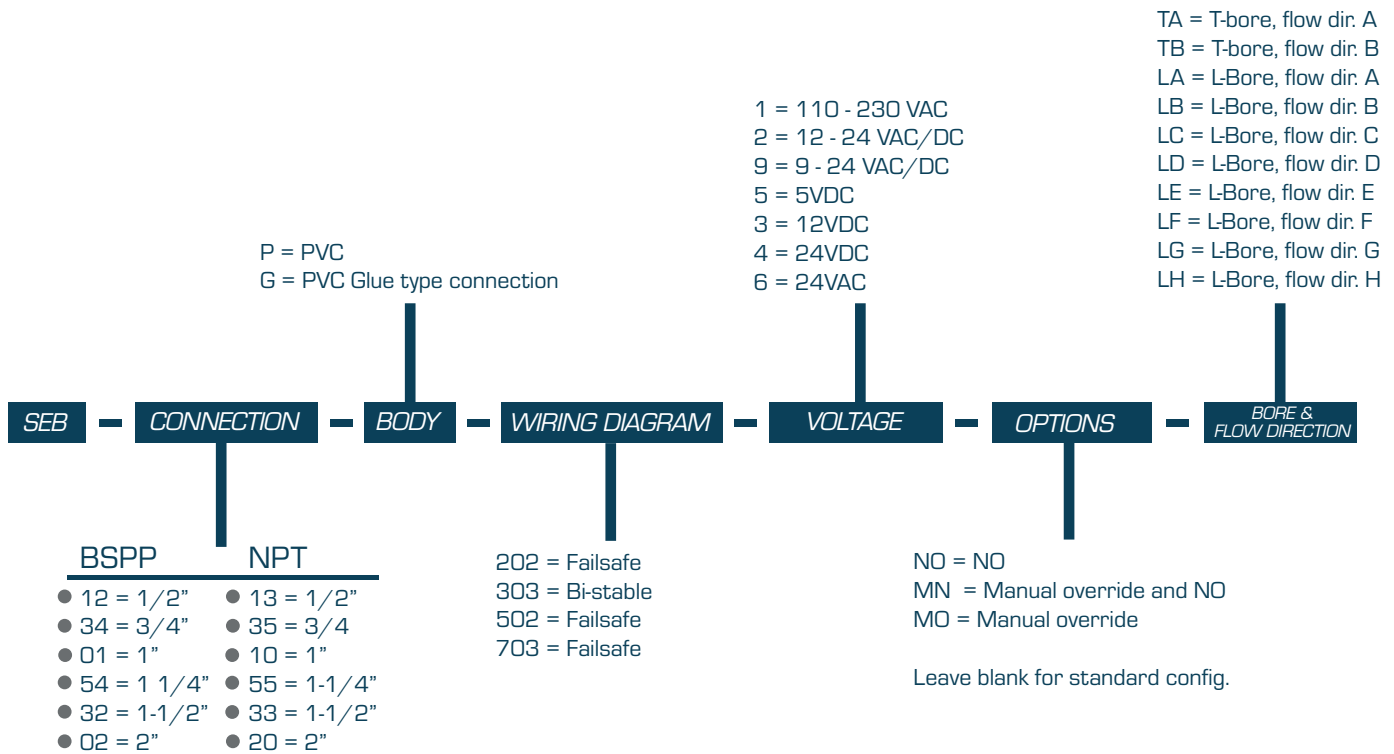
PVC ELECTRIC BALL VALVE

THREE WAY

All PVC ball valves can be used with different fluids. The valve body of SEB-P is made of PVC and the actuator is made of PPO (Polyphenylene Oxid): a high-performance thermoplastic known for its exceptional thermal stability and good electrical insulation properties. The actuator is IP67. Suitable temperature range: ambient: -15°C – 55°C, media: 2°C – 55°C. All products are 100% tested for failures and leakage with air (6bar) and water and 20 minutes open-close.

When ordering a three way ball valve, please take into account the type of bore and flow direction.

Never exceed the recommended voltage.

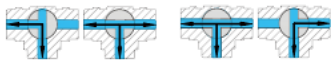


L port



Flow Direction A Flow Direction B

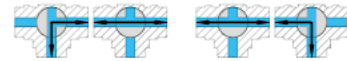
T port



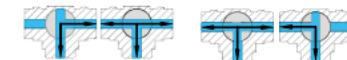
Flow Direction A Flow Direction B



Flow Direction E Flow Direction F



Flow Direction C Flow Direction D



Flow Direction G Flow Direction H

Ordering instructions

When ordering, please take into account the type of bore and flow direction.

SEB-P-L

THREE WAY 1/2" - 2"

PVC three way ball valves are standard provided with EPDM/ PTFE seals, a position indicator, Manual Override and are Normally Closed if wiring diagram 202 or 502 is selected. Normally Open is optional. Valve connection is according to ISO 5211. Other configurations are available upon request, such as:

- Wireless version
- Timer drain version
- Battery version
- Modulating version
- FKM seals



TECHNICAL FEATURES

PRODUCT SIZE

BSPP / NPT / No Thread Glue Type 1/2" - 2"

MAXIMUM PRESSURE

1.0 MPa

WORKING VOLTAGE

DC: 12V, 24V, 24V, 12-24V | AC: 24V
110-230V (optional)

OPEN/CLOSE TIME

≤12SS

EXPECTED LIFETIME

70.000 cycles

ACTUATOR ROTATION

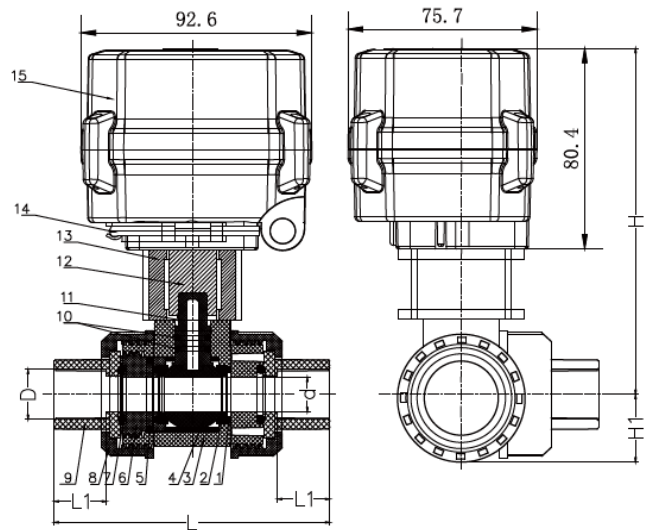
90°

TORQUE FORCE

50 N.m

CABLE LENGTH

0.5, 1.5M



DIMENSIONS

CODE	D1/D2	D ±.3	L ±1	L1±1	H ±1	H1
SEB-12P...T or L	G 1/2"	14	137	22	133.4	30
SEB-13P...T or L	NPT 1/2"					
SEB-34P...T or L	G 3/4"	22	172	23	145.4	38.5
SEB-35P...T or L	NPT 3/4"					
SEB-01P...T or L	G 1"	25	200	28	148.4	46
SEB-10P...T or L	NPT 1"					
SEB-114P...T or L	G 1 1/4"	25	205	32	148.4	46
SEB-115P...T or L	NPT 1 1/4"					
SEB-112P...T or L	G 1 1/2"	38	240	35	172.4	65
SEB-113P...T or L	NPT 1 1/2"					
SEB-02P...T or L	NPT 2"	38	246	35	172.4	65
SEB-20P...T or L	G 2"					

COMPONENTS

No.	Name	Material	Quantity
1	O-ring	EPDM	4
2	Valve seat	PTFE	4
3	Valve Body	UPVC	1
4	Ball	CPVC	1
5	O-ring	EPDM	3
6	Bonnet	UPVC	3
7	O-ring	EPDM	3
8	Gland	UPVC	3
9	Socket	UPVC	3
10	O-ring	EPDM	2
11	Valve Stem	CPVC	1
12	Coupling	Stainless Steel (304)	1
13	Holder	PA	1
14	Hex. Wrench	Stainless Steel (304)	1
15	Actuator	PPO	1

WIRING DIAGRAM

All product codes require working voltage and a wiring diagram. Please note that all FailSafe ball valve configurations cannot open and close more than a certain amount of times per minute, since the farah capacitor needs time to recharge. For the different sizes, the recharge time differ. For the large actuator, please consider initial 30 second power ON time, thereafter a minimum of 10 seconds to recharge the reserve power.

WIRING DIAGRAM - 202

When the SWITCH circuit is closed, the valve opens. After reaching the fully open position, the actuator automatically powers off.

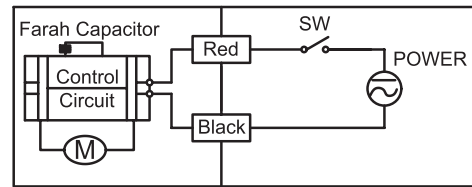
When the SW circuit is open, the valve closes. Once the actuator reaches the fully closed position, it powers off automatically.

Compatible operating voltages:

9-24V AC/DC

110-230V AC/DC

Exceeding the working voltage is forbidden.



WIRING DIAGRAM - 303

When RED and GREEN are connected to the positive terminal and BK to the negative, the following applies:

If the SWITCH circuit is closed, the valve opens. Once it reaches the fully open position, the actuator automatically powers off.

If the SWITCH circuit is open, the valve closes. After reaching the fully closed position, the actuator powers off automatically.

Compatible operating voltages:

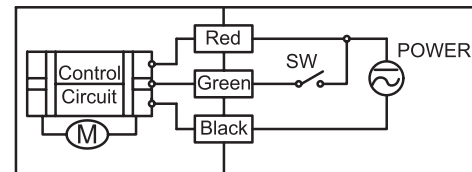
12V DC

9-24V DC

110-230V AC/DC

9-24V AC/DC

Exceeding the working voltage is forbidden.



WIRING DIAGRAM - 502

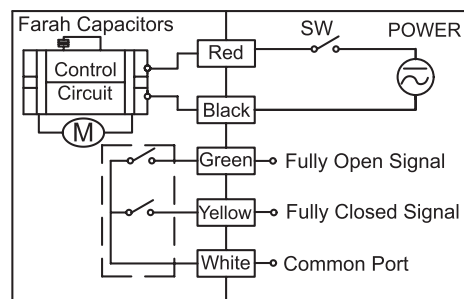
When the SWITCH circuit is closed, the valve opens. Once it reaches the fully open position, the actuator automatically powers off. When the SW circuit is open, the valve closes. After reaching the fully closed position, the actuator powers off automatically.

GREEN and WHITE are connected to the signal wiring for the valve's fully open position. YELLOW and WHITE are connected to the signal wiring for the valve's fully closed position.

Suitable working voltage:

110-230V AC/DC

Exceeding the working voltage is forbidden.



WIRING DIAGRAM

WIRING DIAGRAM - 703

RED and GREEN are connected to the positive terminal; BLACK is connected to the negative terminal. When the SWITCH circuit is closed, the valve opens. When the SWITCH circuit is open, the valve closes. BLUE and GREY are connected to the signal wiring for the valve's fully open position. YELLOW AND WHITE are connected to the signal wiring for the valve's fully closed position.

Suitable working voltage:
9-24V AC/DC
110-230V AC/DC

Exceeding the working voltage is forbidden.

