

# SKUPP®

## PLASTIC FITTINGS



## SCT SERIES

# OUR STORY

In a market dominated by global players, SKUPP emerged from a clear need for change. The traditional supply chain in the industry, especially pneumatics and valve technology, had become increasingly complex, rigid, and inefficient. Distributors were confronted with shrinking margins, slow response times, and uncertain partnerships with established manufacturers. Smaller specialized production sites are also deminishing, which is bad for local business.

## KEEP IT SIMPLE

SKUPP represents a more direct, transparent, and efficient approach. By maintaining substantial local inventories and providing full digital visibility into orders, stock levels, and product data, the supply chain becomes shorter and more reliable.

The result is a streamlined path from production to application — ensuring quality, speed, and accessibility in every connection.

## Why choose SKUPP



**Simplified Supply Chain**  
No unnecessary layers or delays

**EU Stock Center**  
Large European stock enabling short delivery times



**Standardized Product Range**  
A focused, consistent portfolio, to keep it simple

**Clear Documentation**  
Clear data sheets and easy-to-learn product numbers



**Predictable Partnerships**  
We aim for stable, long-term business relationships

**Cost Efficiency**  
Competitive pricing while maintaining healthy margins



# OUR RANGE

## **PNEUMATICS - CYLINDERS**

Our cylinder range consists of the most-used cylinders in the industry, such as all common ISO standards. We also excel in helping customers with their demand for special cylinders, such as odd and extreme measurements, usage with (low-pressure) oil, or hollow rods. Is your example not listed? Challenge us!

## **PNEUMATICS - TUBING**

Pneumatic tubing is available in various materials such as PA12, PA11, PU and PE to match application demands. Offered in many different colors and sizes, compatible with standard fittings.

## **PNEUMATICS - VALVES**

Our valves for usage in pneumatic systems consist of the most commonly used versions, such as 3/2, 5/2, and 5/3 valves. Available as mechanically, manually, electrically, or pneumatically operated. Available in various port sizes, flow capacities, ISO standards and voltage options for pilot operation.

## **PNEUMATICS - FITTINGS**

The range includes push-in fittings that can be divided into three categories based on the material used: plastic, nickel-plated brass, and stainless steel. The fittings are manufactured to precise tolerances to ensure leak-free connections within the rated pressure ranges. They are available in various thread standards (e.g., BSPP, BSPT, NPT) and shapes (straight, elbow, tee). Designed for easy installation with minimal leakage.

## **PROCESS VALVES**

SKUPP offers, amongst others, solenoid valves and ball valves for process technology. Uniquely, we offer plastic clear water solenoid valves, a cost-effective solution for vending and water dispensers. In need of something more robust? Check out our electric ball valves, designed with a special 'floating seal' to reduce friction and prolong its lifetime. SKUPP ball valves are built for an expected lifetime of 70,000 to 100,000 cycles. and are field-proven to Available with a body made of brass, stainless steel, or PVC and a threaded connection up to G2".

**SKUPP**<sup>®</sup>  
Keep it simple

# TABLE OF CONTENTS

<b>SCT01</b>	Straight connector	Page 5
<b>SCT03</b>	Straight female connector	Page 11
<b>SCT03</b>	Elbow	Page 13
<b>SCT04</b>	Elbow female connector	Page 19
<b>SCT05</b>	Elbow connector 45°	Page 21
<b>SCT06</b>	Banjo	Page 24
<b>SCT07</b>	Female banjo	Page 27
<b>SCT08</b>	Bulkhead	Page 30
<b>SCT09</b>	Tee-connector	Page 33
<b>SCT10</b>	Y-connector	Page 40
<b>SCT11</b>	Side-Tee connector	Page 47
<b>SCT12</b>	Multi-Tee connector	Page 50
<b>SCT13</b>	Cross	Page 54
<b>SCT14</b>	Plug	Page 55

# SCT01-R

## MALE, STRAIGHT, BSPT

### TECHNICAL FEATURES

#### MATERIAL

Nickel-plated brass & BPT

#### PRESSURE

16 Bar

#### TEMPERATURE

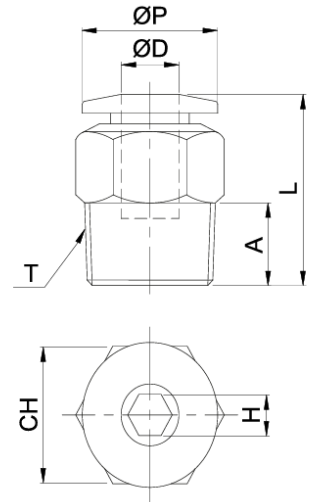
from -20°C to 80°C

#### SUITABLE TUBING

PA polyamide  
PU Polyurethane  
PE Polyethylene

#### CONNECTION

BSPT, metric tube



CODE	ØD	T	ØP	A	L	CH	H	WEIGHT (GRAM)
------	----	---	----	---	---	----	---	---------------

SCT01-04R18	4	R1/8"	9,8	7	19,3	10	3	6,2
SCT01-04R14		R1/4"	9,8	9,5	17,9	14	3	9,8
SCT01-06R18	6	R1/8"	11,9	7	20,4	12	4	6,9
SCT01-06R14		R1/4"	11,9	9,5	22,7	14	4	13,3
SCT01-06R38		R3/8"	11,9	10,5	20,7	17	4	19,9
SCT01-06R12		R1/2"	11,9	13,5	24,7	21	4	39,8
SCT01-08R18	8	R1/8"	13,8	7	25,4	14	5	10
SCT01-08R14		R1/4"	13,8	9,5	24,9	14	6	11,9
SCT01-08R38		R3/8"	13,8	10,5	21,9	17	6	17,5
SCT01-08R12		R1/2"	13,8	13,5	25,9	21	6	37,6
SCT01-10R18	10	R1/8"	17,2	7	27,7	17	5	16,4
SCT01-10R14		R1/4"	17,2	9,5	29,5	17	6	18,6
SCT01-10R38		R3/8"	17,2	10,5	27	17	8	20,7
SCT01-10R12		R1/2"	17,2	13,5	25,3	21	8	34,6
SCT01-12R14	12	R1/4"	19,6	9,5	32,9	20	6	24,5
SCT01-12R38		R3/8"	19,6	10,5	29,9	20	8	25,3
SCT01-12R12		R1/2"	19,6	13,5	32,9	21	8	41
SCT01-16R38	16	R3/8"	24,3	10,5	37,6	24	8	42
SCT01-16R12		R1/2"	24,3	13,5	35,6	24	10	42,1

# SCT01-G

## MALE, STRAIGHT, BSPP

### TECHNICAL FEATURES

#### MATERIAL

Nickel-plated brass & BPT

#### PRESSURE

16 Bar

#### TEMPERATURE

from -20°C to 80°C

#### SUITABLE TUBING

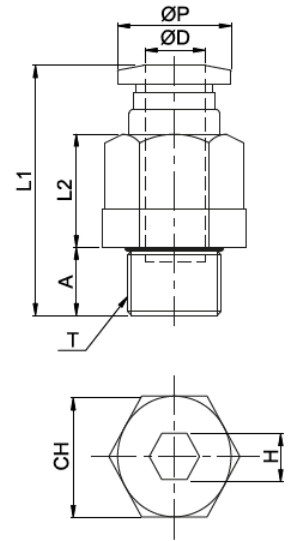
PA polyamide

PU Polyurethane

PE Polyethylene

#### CONNECTION

BSPP, metric tube



CODE	ØD	T	ØP	A	L1	L2	CH	H	WEIGHT (GRAM)
------	----	---	----	---	----	----	----	---	---------------

SCT01-04M5	4	M5X0,8	9,8	3,8	20,1	-	10	2	5,7
SCT01-04M6		M6X1	9,8	4,5	20,8	-	10	2,5	6,1
SCT01-04M7		M7X1	9,8	4,5	20,8	-	10	2,5	6,9
SCT01-04G18		G1/8"	9,8	7	19,3	7,4	10	3	7,4
SCT01-04G14		G1/4"	9,8	9,5	16,6	3,9	10	3	9,4
SCT01-04M5	6	M5X0,8	11,9	3,8	21,2	-	12	2	7,4
SCT01-04M6		M6X1	11,9	4,5	21,7	-	12	2,5	7
SCT01-04M7		M7X1	11,9	4,5	21,7	-	12	2,5	7,2
SCT01-06G18		G1/8"	11,9	5	19,9	6,7	12	4	7,5
SCT01-06G14		G1/4"	11,9	5,8	20,4	6,4	12	4	10,8
SCT01-06G38	8	G3/8"	11,9	6,8	20	4,5	12	4	17
SCT01-06G12		G1/2"	11,9	8	21,7	4,5	12	4	27,5
SCT01-08G18		G1/8"	13,8	5	24,4	11,1	14	5	11,7
SCT01-08G14		G1/4"	13,8	5,8	22,2	7	14	6	11,1
SCT01-08G38		G3/8"	13,8	6,8	21,2	4,5	14	6	15,7
SCT01-08G12	G1/2"	13,8	8	22,9	4,5	14	6	27	
SCT01-10G18	10	G1/8"	17,2	5	26,3	11	17	5	15,9
SCT01-10G14		G1/4"	17,2	5,8	27,5	13,9	17	6	20,4
SCT01-10G38		G3/8"	17,2	6,8	25	8,9	17	8	20,6
SCT01-10G12		G1/2"	17,2	8	22,7	4,9	17	8	28,5
SCT01-12G14	12	G1/4"	19,6	5,8	31,2	12	20	6	26,3
SCT01-12G38		G3/8"	19,6	6,8	28,2	11	20	8	24,3
SCT01-12G12		G1/2"	19,6	8	28,9	9,5	20	8	33,3
SCT01-14G38	14	G3/8"	21,8	6,8	31,8	13	21	8	30
SCT01-14G12		G1/2"	21,8	8	29,5	10	24	10	20
SCT01-16G38	16	G3/8"	24,3	6,8	34,9	14,5	24	8	42
SCT01-16G12		G1/2"	24,3	8	36,1	18	24	10	50,7

# SCT01-N

## MALE, STRAIGHT, NPT

### TECHNICAL FEATURES

#### MATERIAL

Nickel-plated brass & BPT

#### PRESSURE

16 Bar

#### TEMPERATURE

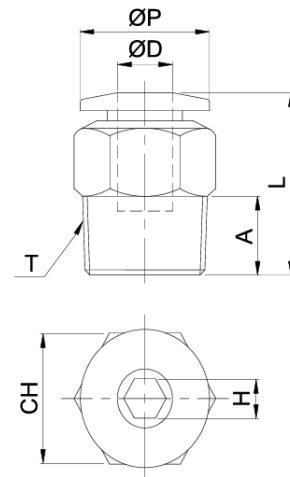
from -20°C to 80°C

#### SUITABLE TUBING

PA polyamide  
PU Polyurethane  
PE Polyethylene

#### CONNECTION

NPT or UNF, inch tube



CODE	ØD	T	ØP	A	L	CH	H	WEIGHT (GRAM)
SCT01-18U1032	1/8	UNF 10-32	10	3,8	20,1	11,1	2	5
SCT01-18N18		NPT 1/8"	10	7,5	19,8	11,1	2,4	6,2
SCT01-18N14		NPT 1/4"	10	10,5	18,9	14,3	2,4	-
SCT01-532U1032	5/32	UNF 10-32	10	3,8	20,1	11,1	2	5
SCT01-532N18		NPT 1/8"	10	7,5	19,8	11,1	2,4	6,2
SCT01-532N14		NPT 1/4"	10	10,5	18,9	14,3	2,4	9,8
SCT01-316U1032	3/16	UNF 10-32	10,8	3,8	20,9	11,1	2	5,5
SCT01-316N18		NPT 1/8"	10,8	7,5	20,6	11,1	4	6,7
SCT01-316N14		NPT 1/4"	10,8	10,5	23,7	14,3	4	13
SCT01-316N38		NPT 3/8"	10,8	11	21,2	17,4	4	19,5
SCT01-14U1032	1/4	UNF 10-32	12	3,8	21,2	12,7	2	5,7
SCT01-14N18		NPT 1/8"	12	7,5	20,9	12,7	4	6,9
SCT01-14N14		NPT 1/4"	12	10,5	23,7	14,3	4	13,3
SCT01-14N38		NPT 3/8"	12	11	21,2	17,4	4	19,9
SCT01-516N14	5/16	NPT 1/4"	14	7,5	25,9	14,3	4,8	10
SCT01-516N38		NPT 3/8"	14	10,5	25,9	14,3	5,5	11,9
SCT01-516N12		NPT 1/2"	14	11	22,4	17,4	5,5	17,5
SCT01-38N18	3/8	NPT 1/8"	17,4	7,5	30	17,4	4,8	16,4
SCT01-38N14		NPT 1/4"	17,4	10,5	32,3	17,4	5,5	18,6
SCT01-38N38		NPT 3/8"	17,4	11	29,3	17,4	8	20,7
SCT01-38N12		NPT 1/2"	17,4	14	27,6	22,2	8	34,6
SCT01-12N14	1/2	NPT 1/4"	19,8	10,5	33,9	22,2	6,3	24,5
SCT01-12N38		NPT 3/8"	19,8	11	30,4	22,2	8	25,3
SCT01-12N12		NPT 1/2"	19,8	14	33,4	22,2	8	41

# SCT01- PUSH-IN CONNECTOR

## TECHNICAL FEATURES

### MATERIAL

Nickel-plated brass & BPT

### PRESSURE

16 Bar

### TEMPERATURE

from -20°C to 80°C

### SUITABLE TUBING

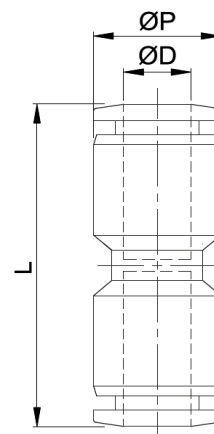
PA polyamide

PU Polyurethane

PE Polyethylene

### CONNECTION

Metric or inch tube



CODE	ØD	ØP	L	WEIGHT (GRAM)
------	----	----	---	---------------

### METRIC TUBE

SCT01-0400	4	11,1	33	4,2
SCT01-0500	5	12,8	35,2	5
SCT01-0600	6	13	35,2	5,2
SCT01-0700	7	14,5	39,1	7
SCT01-0800	8	15,1	39,1	6,8
SCT01-0900	9	18,8	45,2	14
SCT01-1000	10	18,8	48,4	14
SCT01-1100	11	21,2	49,2	17
SCT01-1200	12	21,5	49,2	16,4
SCT01-1400	14	23,2	48,4	18
SCT01-1500	15	25,8	51	25
SCT01-1600	16	26	51	24,5

### INCH TUBE

SCT01-18	1/8	11,1	33	4
SCT01-532	5/32	11,1	33	4,2
SCT01-316	3/16	13	33,6	5
SCT01-14	1/4	13	35,2	5,2
SCT01-516	5/16	15,1	39,1	6,8
SCT01-38	3/8	18,8	48,8	14
SCT01-12	1/2	21,5	49,2	16,4

# SCT01- PUSH-IN CONNECTOR, REDUCED

## TECHNICAL FEATURES

### MATERIAL

Nickel-plated brass & BPT

### PRESSURE

16 Bar

### TEMPERATURE

from -20°C to 80°C

### SUITABLE TUBING

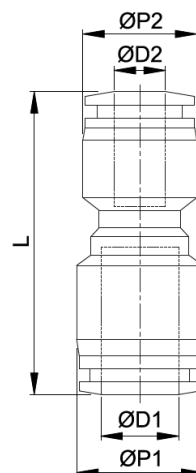
PA polyamide

PU Polyurethane

PE Polyethylene

### CONNECTION

Metric or inch tube



CODE	ØD1	ØD2	ØP1	ØP2	L	WEIGHT (GRAM)
------	-----	-----	-----	-----	---	---------------

### METRIC TUBE

SCT01-0604	6	4	13	11,1	33,6	5,2
SCT01-0804	8	4	15,1	11,1	34	5,8
SCT01-0805		5	15,1	12,8	35,5	6
SCT01-0806		6	15,1	13	36,1	6,8
SCT01-1007	10	7	18,8	14,5	41,8	10
SCT01-1008		8	18,8	15,1	41,8	12,7
SCT01-1207	12	7	21,5	14,5	46,9	13
SCT01-1208		8	21,5	15,1	46,9	14,1
SCT01-1210		10	21,5	18,8	47,7	16,6
SCT01-1410	14	10	23,2	18,8	48,3	17
SCT01-1412		12	23,2	21,5	48,3	17
SCT01-1610	16	10	26	18,8	48,5	24,3
SCT01-1612		12	26	21,5	50,1	26
SCT01-1614		14	26	23,2	50	28

### INCH TUBE

SCT01-53218	5/32	1/8	11,1	11,1	33	4
SCT01-316532	3/16	5/32	13	11,1	33,3	5
SCT01-1418	1/4	1/8	13	11,1	33,6	5,1
SCT01-14532		5/32	13	11,1	33,6	5,2
SCT01-14316		3/16	13	13	33,9	5,8
SCT01-51614	5/16	1/4	15,1	13	36,1	6,8
SCT01-38516	3/8	5/16	18,8	15,1	43,6	12,7
SCT01-1238	1/2	3/8	21,5	18,8	47,9	16,6

# SCT01S- STRAIGHT WITH STEM

## TECHNICAL FEATURES

### MATERIAL

Nickel-plated brass & BPT

### PRESSURE

16 Bar

### TEMPERATURE

from -20°C to 80°C

### SUITABLE TUBING

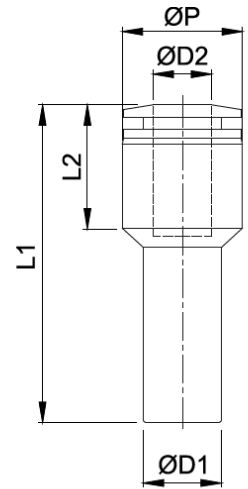
PA polyamide

PU Polyurethane

PE Polyethylene

### CONNECTION

Metric or inch



CODE	ØD1	ØD2	ØP1	ØP2	L	WEIGHT (GRAM)
------	-----	-----	-----	-----	---	---------------

### METRIC TUBE

SCT01S-0604	6	4	11,1	39,5	14	1,4
SCT01S-0804	8	4	11,1	41,5	14	2,7
SCT01S-0806	8	6	13	41,8	14,3	2
SCT01S-1006	10	6	13	46,8	17,3	3,8
SCT01S-1008	10	8	15,1	47,3	17,8	2,8
SCT01S-1206	12	6	13	51,8	19,3	7,7
SCT01S-1208	12	8	15,1	52,3	19,8	6,4
SCT01S-1210	12	10	18,8	51,5	19	4,2

### INCH TUBE

SCT01S-1418	1/4	1/8	13	39,5	14	1
SCT01S-14532	1/4	5/32	13	39,5	14	1,4
SCT01S-516532	5/16	5/32	15,1	41,5	14	2,7
SCT01S-51614	5/16	1/4	15,1	41,8	14,3	2
SCT01S-3814	3/8	1/4	18,8	46,8	17,3	3,8
SCT01S-38516	3/8	5/16	18,8	47,3	17,8	2,8
SCT01S-1214	1/2	1/4	21,5	51,8	19,3	7,7
SCT01S-12516	1/2	5/16	21,5	52,3	19,8	6,4
SCT01S-1238	1/2	3/8	21,5	53,3	19	4,2

# SCT01SS-

## STRAIGHT WITH STEM ON BOTH SIDES

### TECHNICAL FEATURES

#### MATERIAL

Nickel-plated brass & BPT

#### PRESSURE

16 Bar

#### TEMPERATURE

from -20°C to 80°C

#### SUITABLE TUBING

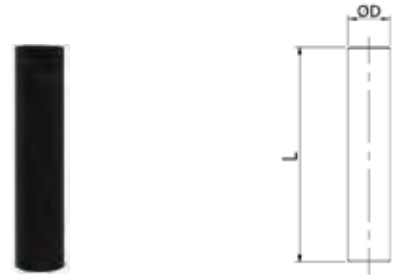
PA polyamide

PU Polyurethane

PE Polyethylene

#### CONNECTION

Metric or inch



CODE	ØD	L	WEIGHT (GRAM)
------	----	---	---------------

#### METRIC TUBE

SCT01SS-0400	4	35	0,4
SCT01SS-0600	6	37	0,8
SCT01SS-0800	8	41	1,2
SCT01SS-1000	10	51	2,7
SCT01SS-1200	12	54	3,5
SCT01SS-1600	16	58	5,3

#### INCH TUBE

SCT01SS-532	5/32	35	0,4
SCT01SS-316	3/16	35	0,8
SCT01SS-14	1/4	37	1,2
SCT01SS-516	5/16	41	2,7
SCT01SS-38	3/8	51	3,5
SCT01SS-12	1/2	54	5,3

# SCT01SS-

## STRAIGHT REDUCED WITH STEM ON BOTH SIDES

### TECHNICAL FEATURES

#### MATERIAL

Nickel-plated brass & BPT

#### PRESSURE

16 Bar

#### TEMPERATURE

from -20°C to 80°C

#### SUITABLE TUBING

PA polyamide

PU Polyurethane

PE Polyethylene

#### CONNECTION

Metric or inch



CODE	ØD1	ØD2	C1	C2	L	WEIGHT (GRAM)
------	-----	-----	----	----	---	---------------

### METRIC TUBE

SCT01SS-0604	6	4	18	17	36	0,6
SCT01SS-0806	8	6	20	18	39	1
SCT01SS-1008	10	8	25	20	46	1,9
SCT01SS-1210	12	10	27	26	54	3,2
SCT01SS-1612	16	12	28	28	56	4,8

### INCH TUBE

SCT01SS-316532	3/16	5/32	18	17	36	0,45
SCT01SS-14532	1/4	5/32	18	17	36	0,45
SCT01SS-14316	1/4	3/16	18	17	36	0,45
SCT01SS-51614	5/16	1/4	20	18	39	0,9
SCT01SS-38516	3/8	5/16	25	20	46	1,81
SCT01SS-1238	1/2	3/8	27	26	54	3,175

# SCT02-G

## FEMALE, STRAIGHT, BSPP

### TECHNICAL FEATURES

#### MATERIAL

Nickel-plated brass & BPT

#### PRESSURE

16 Bar

#### TEMPERATURE

from -20°C to 80°C

#### SUITABLE TUBING

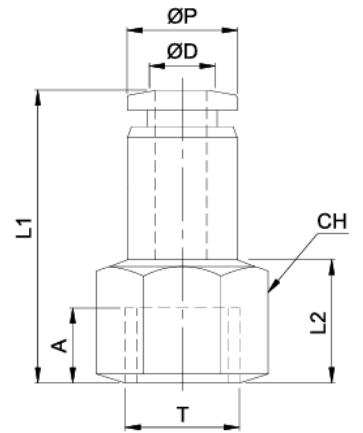
PA polyamide

PU Polyurethane

PE Polyethylene

#### CONNECTION

BSPP, metric tube



CODE	ØD	T	ØP	A	L 1	L2	CH	WEIGHT (GRAM)
SCT02-04R18	4	G1/8"	9,8	7	23,3	9,5	14	12,5
SCT02-04R14		G1/4"	9,8	9	25,3	11,5	17	18
SCT02-06R18	6	G1/8"	11,9	7	24,4	10	14	15
SCT02-06R14		G1/4"	11,9	9	26,4	12	17	19,3
SCT02-06R38		G3/8"	11,9	10	27,4	13	19	26,3
SCT02-08R18	8	G1/8"	13,8	7	25,9	10	14	15,8
SCT02-08R14		G1/4"	13,8	9	27,9	12	17	19,4
SCT02-08R38		G3/8"	13,8	10	28,9	13	19	18,4
SCT02-08R12		G1/2"	13,8	12	30,9	15	24	32,8
SCT02-10R18	10	G1/8"	17,2	7	27,7	10	17	28,5
SCT02-10R14		G1/4"	17,2	9	29,7	13,3	17	27
SCT02-10R38		G3/8"	17,2	10	30,7	14,3	19	24,6
SCT02-10R12		G1/2"	17,2	12	32,7	16,3	24	38,5
SCT02-12R14	12	G1/4"	19,6	9	32,9	11	20	44,2
SCT02-12R38		G3/8"	19,6	10	33,9	12	20	35,9
SCT02-12R12		G1/2"	19,6	12	35,9	15,5	24	34,2

# SCT02-N

## FEMALE, STRAIGHT, NPT

### TECHNICAL FEATURES

#### MATERIAL

Nickel-plated brass & BPT

#### PRESSURE

16 Bar

#### TEMPERATURE

from -20°C to 80°C

#### SUITABLE TUBING

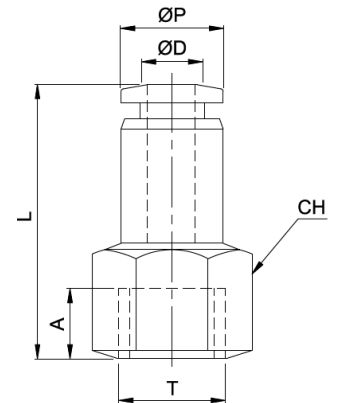
PA polyamide

PU Polyurethane

PE Polyethylene

#### CONNECTION

NPT or UNF, inch tube



CODE	ØD	T	ØP	A	L	CH	WEIGHT (GRAM)
SCT02-18U1032	1/8	UNF 10-32	10	4,5	20,9	11,1	10,5
SCT02-18N18		NPT 1/8"	10	7,5	23,8	14,3	12,5
SCT02-532N18	5/32	NPT 1/8"	10	7,5	23,8	14,3	12,5
SCT02-532N14		NPT 1/4"	10	10,5	26,8	17,4	18
SCT02-316N18	3/16	NPT 1/8"	10,8	7,5	25,4	14,3	14
SCT02-316N14		NPT 1/4"	10,8	10,5	28,4	17,4	18,4
SCT02-14N18	1/4	NPT 1/8"	12	7,5	24,9	14,3	15
SCT02-14N14		NPT 1/4"	12	10,5	27,9	17,4	19,3
SCT02-516N18	5/16	NPT 1/8"	14	7,5	26,4	14,3	15,8
SCT02-516N14		NPT 1/4"	14	10,5	29,4	17,4	19,4
SCT02-516N38		NPT 3/8"	14	11	29,9	22,2	18,4
SCT02-38N14	3/8	NPT 1/4"	17,4	10,5	33	17,4	27
SCT02-38N38		NPT 3/8"	17,4	11	33,5	22,2	24,6
SCT02-12N14	1/2	NPT 1/4"	19,8	10,5	34,4	22,2	44,2
SCT02-12N38		NPT 3/8"	19,8	11	34,9	22,2	35,9

# SCT03-R SHORT

## SHORT SWIFEL ELBOW, MALE, BSPT

### TECHNICAL FEATURES

#### MATERIAL

Nickel-plated brass & BPT

#### PRESSURE

16 Bar

#### TEMPERATURE

from -20°C to 80°C

#### SUITABLE TUBING

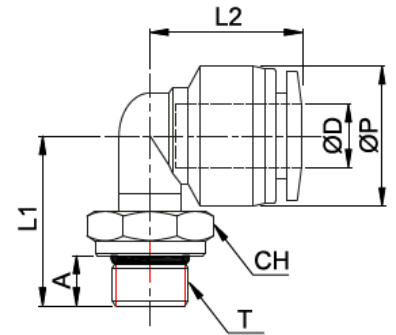
PA polyamide

PU Polyurethane

PE Polyethylene

#### CONNECTION

BSPT, metric tube



CODE	ØD	T	ØP	A	L1	L2	CH	WEIGHT (GRAM)
SCT03-S04R18	4	R 1/8"	11,1	7	16	17,5	10	5,8
SCT03-S04R14		R 1/4"	11,1	9,5	19,5	17,5	14	6,3
SCT03-S06R18	6	R 1/8"	13	7	17	19	10	6,4
SCT03-S06R14		R 1/4"	13	9,5	20,5	19	14	12,4
SCT03-S06R38		R 3/8"	13	10,5	22	19	17	14,2
SCT03-S06R12		R 1/2"	13	13,5	25,5	19	21	17,3
SCT03-S08R18	8	R 1/8"	15,1	7	21,3	22,8	12	11,5
SCT03-S08R14		R 1/4"	15,1	9,5	21,5	22,8	14	13,3
SCT03-S08R38		R 3/8"	15,1	10,5	23	22,8	17	20,3
SCT03-S08R12		R 1/2"	15,1	13,5	26,5	22,8	21	21,9
SCT03-S10R18	10	R 1/8"	18,8	7	25,5	26,3	14	15,4
SCT03-S10R14		R 1/4"	18,8	9,5	26	26,3	14	18,4
SCT03-S10R38		R 3/8"	18,8	10,5	25	26,3	17	21,9
SCT03-S10R12		R 1/2"	18,8	13,5	28,5	26,3	21	24,8
SCT03-S12R14	12	R 1/4"	21,5	9,5	29,5	29,6	17	33,6
SCT03-S12R38		R 3/8"	21,5	10,5	26,5	29,6	17	36,2
SCT03-S12R12		R 1/2"	21,5	13,5	30	29,6	21	39,5

# SCT03-R

## SWIFEL ELBOW, MALE, BSPT

### TECHNICAL FEATURES

#### MATERIAL

Nickel-plated brass & BPT

#### PRESSURE

16 Bar

#### TEMPERATURE

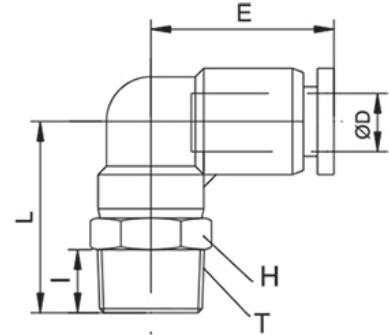
from -20°C to 80°C

#### SUITABLE TUBING

PA polyamide  
PU Polyurethane  
PE Polyethylene

#### CONNECTION

BSPT, metric tube



CODE	ØD	T	I	L	E	H	WEIGHT (GRAM)
SCT03-04R18	4	R 1/8"	7	23,5	17,5	10	8,1
SCT03-04R14		R 1/4"	9,5	27	17,5	14	13,9
SCT03-06R18	6	R 1/8"	7	25,2	19	12	11,5
SCT03-06R14		R 1/4"	8,5	28,2	19	14	16,5
SCT03-06R38		R 3/8"	10,5	29,7	19	17	22,6
SCT03-06R12		R 1/2"	13,5	33,2	19	21	35,9
SCT03-08R18	8	R 1/8"	7	26,5	22,8	14	17,6
SCT03-08R14		R 1/4"	9,5	29	22,8	14	17,7
SCT03-08R38		R 3/8"	10,5	30,5	22,8	17	25,3
SCT03-08R12		R 1/2"	13,5	34	22,8	21	38,2
SCT03-10R18	10	R 1/8"	7	29,5	26,3	17	30,7
SCT03-10R14		R 1/4"	9,5	32	26,3	17	31,4
SCT03-10R38		R 3/8"	10,5	33	26,3	17	30,8
SCT03-10R12		R 1/2"	13,5	36,5	26,3	21	47,3
SCT03-12R14	12	R 1/4"	9,5	35,5	29,6	20	44,3
SCT03-12R38		R 3/8"	10,5	36,5	29,6	20	46,7
SCT03-12R12		R 1/2"	13,5	39,5	29,6	21	51,2
SCT03-14R38	14	R 3/8"	10,5	41,5	31,7	24	53
SCT03-14R12		R 1/2"	13,5	45,5	31,7	24	62
SCT03-16R38	16	R 3/8"	10,5	43	33	24	67,6
SCT03-16R38		R 1/2"	13,5	46	33	24	72,8

# SCT03-R LONG

## LONG SWIFEL ELBOW, MALE, BSPT

### TECHNICAL FEATURES

#### MATERIAL

Nickel-plated brass & BPT

#### PRESSURE

16 Bar

#### TEMPERATURE

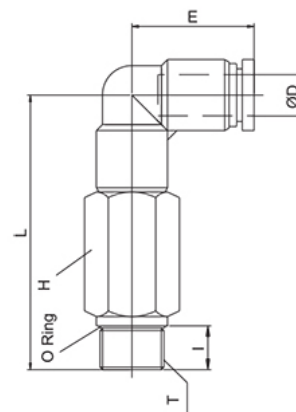
from -20°C to 80°C

#### SUITABLE TUBING

PA polyamide  
PU Polyurethane  
PE Polyethylene

#### CONNECTION

BSPT, metric tube



CODE	ØD	T	I	L	E	H	WEIGHT (GRAM)
SCT03-L04R18	4	R 1/8"	7	35,5	17,5	10	14,2
SCT03-L04R14		R 1/4"	9,5	39	17,5	14	26,2
SCT03-L06R18	6	R 1/8"	7	39,2	19	12	22
SCT03-L06R14		R 1/4"	8,5	42,2	19	14	29,2
SCT03-L06R38		R 3/8"	10,5	43,7	19	17	39,4
SCT03-L06R12		R 1/2"	13,5	47,2	19	21	62,9
SCT03-L08R18	8	R 1/8"	7	41,8	22,8	14	34,6
SCT03-L08R14		R 1/4"	9,5	44,3	22,8	14	33,1
SCT03-L08R38		R 3/8"	10,5	45,8	22,8	17	45,6
SCT03-L08R12		R 1/2"	13,5	49,3	22,8	21	70,1
SCT03-L10R18	10	R 1/8"	7	49,5	26,3	17	61,2
SCT03-L10R14		R 1/4"	9,5	52	26,3	17	62,5
SCT03-L10R38		R 3/8"	10,5	53	26,3	17	56,7
SCT03-L10R12		R 1/2"	13,5	56,5	26,3	21	87,2
SCT03-L12R14	12	R 1/4"	9,5	58,5	29,6	20	86,7
SCT03-L12R38		R 3/8"	10,5	59,5	29,6	20	100,7
SCT03-L12R12		R 1/2"	13,5	62,5	29,6	21	89,7

# SCT03-G SHORT

## SHORT SWIFEL ELBOW, MALE, BSPP

### TECHNICAL FEATURES

#### MATERIAL

Nickel-plated brass & BPT

#### PRESSURE

16 Bar

#### TEMPERATURE

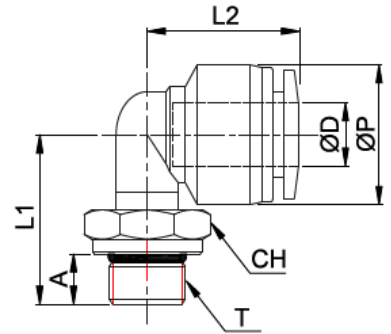
from -20°C to 80°C

#### SUITABLE TUBING

PA polyamide  
PU Polyurethane  
PE Polyethylene

#### CONNECTION

BSPP, metric tube



CODE	ØD	T	ØP	A	L 1	L2	CH	WEIGHT (GRAM)
SCT03-S04M5	4	M5x0,8	11,1	3,8	15,3	17,5	8	5,2
SCT03-S04M7		M7x1	11,1	4,5	17	17,5	10	6,1
SCT03-S04G18		G 1/8"	11,1	4,8	14,8	17,5	14	7,6
SCT03-S04G14		G 1/4"	11,1	5,5	16	17,5	17	11,3
SCT03-S06M5	6	M5x0,8	13	3,8	15,3	19	8	5,8
SCT03-S06M7		M7x1	13	4,5	17	19	10	6,7
SCT03-S06G18		G 1/8"	13	4,8	15,8	19	14	8,3
SCT03-S06G14		G 1/4"	13	5,5	17	19	17	13,3
SCT03-S06G38		G 3/8"	13	6,5	18,5	19	20	16,8
SCT03-S06G12		G 1/2"	13	7,5	19,5	19	24	20,1
SCT03-S08G18	8	G 1/8"	15,1	4,8	20	22,8	14	11,9
SCT03-S08G14		G 1/4"	15,1	5,5	18	22,8	17	13,8
SCT03-S08G38		G 3/8"	15,1	6,5	19,5	22,8	20	21,2
SCT03-S08G12		G 1/2"	15,1	7,5	20,5	22,8	24	23,9
SCT03-S10G18	10	G 1/8"	18,8	4,8	24,3	26,3	14	21,3
SCT03-S10G14		G 1/4"	18,8	5,5	23,1	26,3	17	24,3
SCT03-S10G38		G 3/8"	18,8	6,5	21,5	26,3	20	27,6
SCT03-S10G12		G 1/2"	18,8	7,5	22,5	26,3	24	31,2
SCT03-S12G14	12	G 1/4"	21,5	5,5	26,5	29,6	17	33,8
SCT03-S12G38		G 3/8"	21,5	6,5	23	29,6	20	35,6
SCT03-S12G12		G 1/2"	21,5	7,5	24	29,6	24	39,8

# SCT03-G

## SWIFEL ELBOW, MALE, BSPP

### TECHNICAL FEATURES

#### MATERIAL

Nickel-plated brass & BPT

#### PRESSURE

16 Bar

#### TEMPERATURE

from -20°C to 80°C

#### SUITABLE TUBING

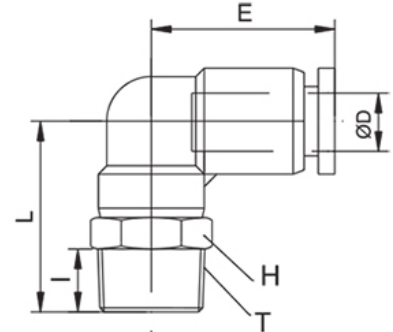
PA polyamide

PU Polyurethane

PE Polyethylene

#### CONNECTION

BSPP, metric tube



CODE	ØD	T	I	L	E	H	WEIGHT (GRAM)
------	----	---	---	---	---	---	---------------

SCT03-04M5	4	M5x0,8	3,8	17,3	17,5	8	5,1
SCT03-04M6		M6x1	4,5	18	17,5	8	5,3
SCT03-04G18		G 1/8"	5	24	17,5	14	11,8
SCT03-04G14		G 1/4"	5,8	25,3	17,5	17	17,9
SCT03-06M5	6	M5x0,8	3,8	17,3	19	8	5,8
SCT03-06M6		M6x1	4,5	18	19	8	6
SCT03-06G18		G 1/8"	5	25,2	19	14	14,6
SCT03-06G14		G 1/4"	5,8	26,5	19	17	17,5
SCT03-06G38		G 3/8"	6,8	28	19	20	24,4
SCT03-06G12	G 1/2"	8	29,2	19	24	38,4	
SCT03-08G18	8	G 1/8"	5	26	22,8	14	17,5
SCT03-08G14		G 1/4"	5,8	27,3	22,8	17	20,5
SCT03-08G38		G 3/8"	6,8	28,8	22,8	20	26,6
SCT03-08G12		G 1/2"	8	30	22,8	24	36,8
SCT03-10G18	10	G 1/8"	5	29	26,3	17	31,2
SCT03-10G14		G 1/4"	5,8	29,8	26,3	17	30,5
SCT03-10G38		G 3/8"	6,8	31,3	26,3	20	34,6
SCT03-10G12		G 1/2"	8	33,5	26,3	24	47,3
SCT03-12G14	12	G 1/4"	5,8	33,8	29,3	20	43,9
SCT03-12G38		G 3/8"	6,8	34,8	29,3	20	44,5
SCT03-12G12		G 1/2"	8	36,5	29,3	24	51,8
SCT03-14G38	14	G 3/8"	6,8	39,8	31,7	24	52
SCT03-14G12		G 1/2"	8	41,5	31,7	24	61
SCT03-16G38	16	G 3/8"	6,8	40,8	33	24	64
SCT03-16G38		G 1/2"	8	42	33	24	66,5

# SCT03-G LONG

## LONG SWIFEL ELBOW, MALE, BSPP

### TECHNICAL FEATURES

#### MATERIAL

Nickel-plated brass & BPT

#### PRESSURE

16 Bar

#### TEMPERATURE

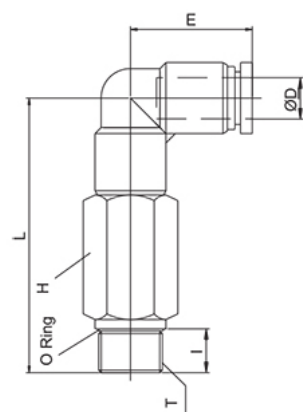
from -20°C to 80°C

#### SUITABLE TUBING

PA polyamide  
PU Polyurethane  
PE Polyethylene

#### CONNECTION

BSPP, metric tube



CODE	ØD	T	I	L	E	H	WEIGHT (GRAM)
SCT03-L04M5	4	M5x0,8	3,8	29,3	17,5	8	10,4
SCT03-L04M6		M6x1	4,5	30	17,5	8	10,8
SCT03-L04G18		G 1/8"	5	36	17,5	14	25,9
SCT03-L04G14		G 1/4"	5,8	37,3	17,5	17	26,6
SCT03-L06M5	6	M5x0,8	3,8	31,3	19	8	11,4
SCT03-L06M6		M6x1	4,5	32	19	8	11,8
SCT03-L06G18		G 1/8"	5	39,2	19	14	30,5
SCT03-L06G14		G 1/4"	5,8	40,5	19	17	43,3
SCT03-L06G38		G 3/8"	6,8	42	19	20	57
SCT03-L06G12	G 1/2"	8	43,2	19	24	91,5	
SCT03-L08G18	8	G 1/8"	5	41,3	22,8	14	35,4
SCT03-L08G14		G 1/4"	5,8	42,6	22,8	17	48
SCT03-L08G38		G 3/8"	6,8	44,1	22,8	20	60,3
SCT03-L08G12		G 1/2"	8	45,3	22,8	24	93,7
SCT03-L10G18	10	G 1/8"	5	49	26,3	17	61,8
SCT03-L10G14		G 1/4"	5,8	49,8	26,3	17	68,7
SCT03-L10G38		G 3/8"	6,8	51,3	26,3	20	78,7
SCT03-L10G12		G 1/2"	8	53,5	26,3	24	105,8
SCT03-L12G14	12	G 1/4"	5,8	56,8	29,3	20	98,1
SCT03-L12G38		G 3/8"	6,8	57,8	29,3	20	101,9
SCT03-L12G12		G 1/2"	8	59,5	29,3	24	124,3

# SCT03- ELBOW, PUSH-IN

## TECHNICAL FEATURES

### MATERIAL

Nickel-plated brass & BPT

### PRESSURE

16 Bar

### TEMPERATURE

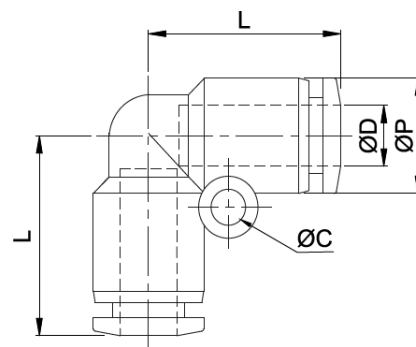
from -20°C to 80°C

### SUITABLE TUBING

PA polyamide  
PU Polyurethane  
PE Polyethylene

### CONNECTION

Metric or inch tube



CODE	ØD	ØP	ØC	L	WEIGHT (GRAM)
------	----	----	----	---	---------------

### METRIC TUBE

SCT03-0400	4	11,1	3,2	17,5	4,2
SCT03-0600	6	13	3,2	19	5,5
SCT03-0800	8	15,1	3,2	22,8	7,3
SCT03-1000	10	18,8	4,2	26,3	14,3
SCT03-1200	12	21,5	4,3	29,6	18,2
SCT03-1400	14	23,2	5,1	31,7	23
SCT03-1600	16	26	5,1	33	27

### INCH TUBE

SCT03-18	1/8	11,1	3,2	17,5	4
SCT03-532	5/32	11,1	3,2	17,5	4,2
SCT03-316	3/16	13	3,2	17,8	5,2
SCT03-14	1/4	13	3,2	19	5,5
SCT03-516	5/16	15,1	3,2	22,8	7,3
SCT03-38	3/8	18,8	4,2	28,1	14,3
SCT03-12	1/2	21,5	4,2	29,6	18,2

# SCT03S- ELBOW WITH STEM, PUSH-IN

## TECHNICAL FEATURES

### MATERIAL

Nickel-plated brass & BPT

### PRESSURE

16 Bar

### TEMPERATURE

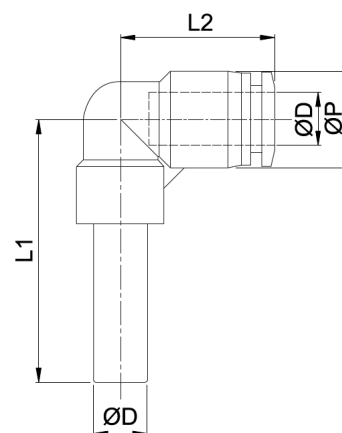
from -20°C to 80°C

### SUITABLE TUBING

PA polyamide  
PU Polyurethane  
PE Polyethylene

### CONNECTION

Metric or inch tube



CODE	ØD	ØP	L1	L2	WEIGHT (GRAM)
------	----	----	----	----	---------------

### METRIC TUBE

SCT03S-0400	4	11,1	33,7	17,5	6,5
SCT03S-0600	6	13	34,9	19	8,1
SCT03S-0800	8	15,1	39,1	22,8	10,6
SCT03S-1000	10	18,8	46,1	26,3	21,4
SCT03S-1200	12	21,5	52,2	29,6	26,7

### INCH TUBE

SCT03S-532	5/32	11,1	33	17,5	6,5
SCT03S-14	1/4	13	36,2	19	8,1
SCT03S-516	5/16	15,1	42,5	22,8	10,6
SCT03S-38	3/8	18,8	50,8	26,3	21,4
SCT03S-12	1/2	21,5	54,5	29,6	26,7

# SCT03S-

## ELBOW WITH STEM REDUCED, PUSH-IN

### TECHNICAL FEATURES

#### MATERIAL

Nickel-plated brass & BPT

#### PRESSURE

16 Bar

#### TEMPERATURE

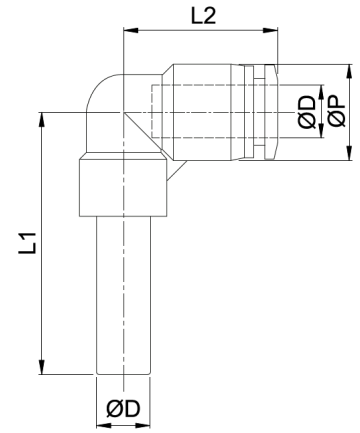
from -20°C to 80°C

#### SUITABLE TUBING

PA polyamide  
PU Polyurethane  
PE Polyethylene

#### CONNECTION

Metric or inch tube



CODE	ØD1	ØD2	ØP	ØP2	ØC	L1	L2	WEIGHT (GRAM)
------	-----	-----	----	-----	----	----	----	---------------

### METRIC TUBE

SCT03S-0604	6	4	13	11,1	3,2	33,7	17,5	8,7
SCT03S-0806	8	6	15,1	13	3,2	38,3	19	13,7
SCT03S-1008	10	8	18,8	15,1	4,2	46,1	22,8	19,4
SCT03S-1210	12	10	21,5	18,8	4,2	53,5	26,3	34,6

### INCH TUBE

SCT03S-14532	1/4	5/32	13	11,1	3,2	33,7	17,5	8,7
SCT03S-51614	5/16	1/4	15,1	13	3,2	38,3	19	13,7
SCT03S-38516	3/8	5/16	18,8	15,1	4,2	46,1	22,8	19,4
SCT03S-1238	1/2	3/8	21,5	18,8	4,2	53,5	28,1	34,6

# SCT04-G

## SWIFEL ELBOW, FEMALE, BSPP

### TECHNICAL FEATURES

#### MATERIAL

Nickel-plated brass & BPT

#### PRESSURE

16 Bar

#### TEMPERATURE

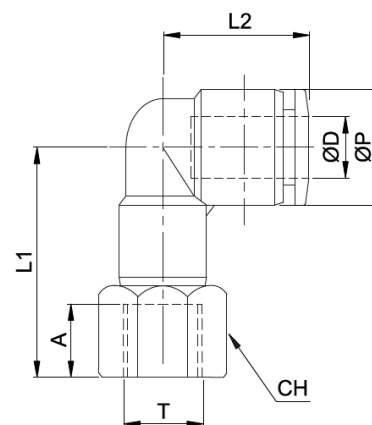
from -20°C to 80°C

#### SUITABLE TUBING

PA polyamide  
PU Polyurethane  
PE Polyethylene

#### CONNECTION

BSPP, metric tube



CODE	ØD	T	ØP	A	L1	L2	CH	WEIGHT (GRAM)
SCT04-04M5	4	M5x0,8	11,1	4,5	19,5	17,5	10	7,4
SCT04-04M6		M6x1	11,1	5	20	17,5	10	7,2
SCT04-04G18		G 1/8"	11,1	7	23	17,5	14	13,9
SCT04-04G14		G 1/4"	11,1	9	25	17,5	17	18,2
SCT04-06M5	6	M5x0,8	13	4,5	20,7	19	12	10,6
SCT04-06M6		M6x1	13	5	21,2	19	12	10,4
SCT04-06G18		G 1/8"	13	7	24,4	19	14	16,4
SCT04-06G14		G 1/4"	13	9	26,4	19	17	21,3
SCT04-06G18	8	G 3/8"	13	10	27,7	19	19	30
SCT04-08G18		G 1/8"	15,1	7	24,8	22,8	14	19,4
SCT04-08G14		G 1/4"	15,1	9	27	22,8	17	24,1
SCT04-08G18		G 3/8"	15,1	10	28,5	22,8	19	32,4
SCT04-08G12	10	G 1/2"	15,1	12	30,5	22,8	24	41,6
SCT04-10G18		G 1/8"	18,8	7	23	26,3	17	27,7
SCT04-10G14		G 1/4"	18,8	9	29,5	26,3	17	33,8
SCT04-10G18		G 3/8"	18,8	10	31	26,3	19	34,3
SCT04-10G12	12	G 1/2"	18,8	12	33,5	26,3	24	51,2
SCT04-12G14		G 1/4"	21,5	9	26	29,6	21	36,7
SCT04-12G18		G 3/8"	21,5	10	34	29,6	21	49,2
SCT04-12G12		G 1/2"	21,5	12	36,5	29,6	24	54,7

# SCT04-N

## SWIFEL ELBOW, FEMALE, NPT

### TECHNICAL FEATURES

#### MATERIAL

Nickel-plated brass & BPT

#### PRESSURE

16 Bar

#### TEMPERATURE

from -20°C to 80°C

#### SUITABLE TUBING

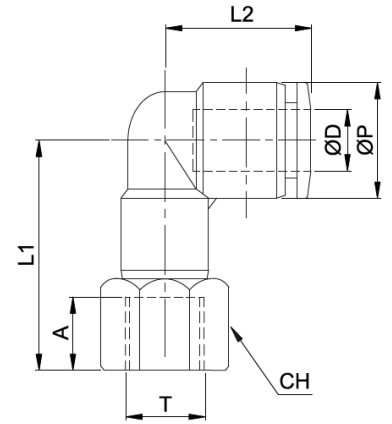
PA polyamide

PU Polyurethane

PE Polyethylene

#### CONNECTION

NPT & UNF, inch tube



CODE	ØD	T	ØP	A	L1	L2	CH	WEIGHT (GRAM)
SCT04-18U1032	1/8	UNF 10-32	11,1	4,5	17,5	17,5	11,1	-
SCT04-18N18		NPT 1/8"	11,1	7,5	23,5	17,5	14,3	-
SCT04-18N14		NPT 1/4"	11,1	10,5	26,5	17,5	17,4	-
SCT04-532N18	5/32	NPT 1/8"	11,1	7,5	23,5	17,5	14,3	13,9
SCT04-532N14		NPT 1/4"	11,1	10,5	26,5	17,5	17,4	-
SCT04-316N18	3/16	NPT 1/8"	13	7,5	23,8	17,8	14,3	16,1
SCT04-316N14		NPT 1/4"	13	10,5	26,5	17,8	17,4	21
SCT04-14N18	1/4	NPT 1/8"	13	7,5	24,9	19	14,3	16,4
SCT04-14N14		NPT 1/4"	13	10,5	27,9	19	17,4	21,3
SCT04-516N18	5/16	NPT 1/8"	15,1	7,5	25	22,8	14,3	19,4
SCT04-516N14		NPT 1/4"	15,1	10,5	28,5	22,8	17,4	24,1
SCT04-516N38		NPT 3/8"	15,1	11	29,5	22,8	22,2	32,4
SCT04-38N18	3/8	NPT 1/8"	18,8	7,5	23	28,1	17,4	-
SCT04-38N14		NPT 1/4"	18,8	10,5	31	28,1	17,4	33,8
SCT04-38N38		NPT 3/8"	18,8	11	31,5	28,1	22,2	34,3
SCT04-12N38	1/2	NPT 3/8"	21,5	11	34,5	29,6	22,2	49,2
SCT04-12N12		NPT 1/2"	21,5	14	37,5	29,6	25,4	54,7

# SCT05-R

## SWIVEL ELBOW 45°, MALE, BSPT

### TECHNICAL FEATURES

#### MATERIAL

Nickel-plated brass & BPT

#### PRESSURE

16 Bar

#### TEMPERATURE

from -20°C to 80°C

#### SUITABLE TUBING

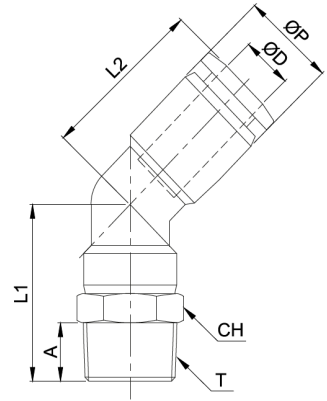
PA polyamide

PU Polyurethane

PE Polyethylene

#### CONNECTION

BSPT, metric tube



CODE	ØD	T	ØP	A	L1	L2	CH	WEIGHT (GRAM)
SCT05-04R18	4	R 1/8"	11,1	7	22,2	16,2	10	8
SCT05-04R14		R 1/4"	11,1	9,5	25,7	16,2	14	13,8
SCT05-06R18	6	R 1/8"	13	7	23,9	17,7	12	11
SCT05-06R14		R 1/4"	13	9,5	26,9	17,7	14	16
SCT05-06R38		R 3/8"	13	10,5	28,4	17,7	17	22,2
SCT05-06R12		R 1/2"	13	13,5	31,9	17,7	21	35,4
SCT05-08R18	8	R 1/8"	15,1	7	27,1	20,9	14	17,3
SCT05-08R14		R 1/4"	15,1	9,5	29,6	20,9	14	17,4
SCT05-08R38		R 3/8"	15,1	10,5	31,1	20,9	17	25
SCT05-08R12		R 1/2"	15,1	13,5	34,6	20,9	21	37,9
SCT05-10R18	10	R 1/8"	18,8	7	29,7	22,2	17	30
SCT05-10R14		R 1/4"	18,8	9,5	32,2	22,2	17	30,7
SCT05-10R38		R 3/8"	18,8	10,5	33,2	22,2	17	30,1
SCT05-10R12		R 1/2"	18,8	13,5	36,7	22,2	21	46,6
SCT05-12R14	12	R 1/4"	21,5	9,5	35,2	26,3	20	42,6
SCT05-12R38		R 3/8"	21,5	10,5	36,2	26,3	20	45
SCT05-12R12		R 1/2"	21,5	13,5	39,2	26,3	21	49,5

# SCT05-G

## SWIVEL ELBOW 45°, MALE, BSPP

### TECHNICAL FEATURES

#### MATERIAL

Nickel-plated brass & BPT

#### PRESSURE

16 Bar

#### TEMPERATURE

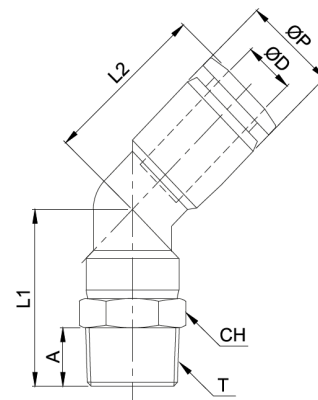
from -20°C to 80°C

#### SUITABLE TUBING

PA polyamide  
PU Polyurethane  
PE Polyethylene

#### CONNECTION

BSPP, metric tube



CODE	ØD	T	ØP	A	L1	L2	CH	WEIGHT (GRAM)
SCT05-04M5	4	M5x0,8	11,1	3,8	20	16,2	10	8,1
SCT05-04M6		M6x1	11,1	4,5	20,7	16,2	10	8,3
SCT05-04G18		G 1/8"	11,1	5	22,7	16,2	14	11,7
SCT05-04G14		G 1/4"	11,1	5,8	24	16,2	17	17,8
SCT05-06M5	6	M5x0,8	13	3,8	21,7	17,7	12	10,8
SCT05-06M6		M6x1	13	4,5	22,4	17,7	12	11,5
SCT05-06G18		G 1/8"	13	5	23,9	17,7	14	14,2
SCT05-06G14		G 1/4"	13	5,8	25,2	17,7	17	17,5
SCT05-06G38		G 3/8"	13	6,8	26,7	17,7	20	24
SCT05-06G12	G 1/2"	13	8	27,9	17,7	24	38	
SCT05-08G18	8	G 1/8"	15,1	5	26,6	20,9	14	17,2
SCT05-08G14		G 1/4"	15,1	5,8	27,9	20,9	17	20,2
SCT05-08G38		G 3/8"	15,1	6,8	29,4	20,9	20	26,3
SCT05-08G12		G 1/2"	15,1	8	30,6	20,9	24	36,5
SCT05-10G18	10	G 1/8"	18,8	5	29,2	22,2	17	30,6
SCT05-10G14		G 1/4"	18,8	5,8	30	22,2	17	29,9
SCT05-10G38		G 3/8"	18,8	6,8	31,5	22,2	20	34
SCT05-10G12		G 1/2"	18,8	8	33,7	22,2	24	46,7
SCT05-12G14	12	G 1/4"	21,5	5,8	33,5	26,3	20	42,4
SCT05-12G38		G 3/8"	21,5	6,8	34,5	26,3	20	43
SCT05-12G12		G 1/2"	21,5	8	36,2	26,3	24	50,3

# SCT05-N

## SWIVEL ELBOW 45°, MALE, NPT

### TECHNICAL FEATURES

#### MATERIAL

Nickel-plated brass & BPT

#### PRESSURE

16 Bar

#### TEMPERATURE

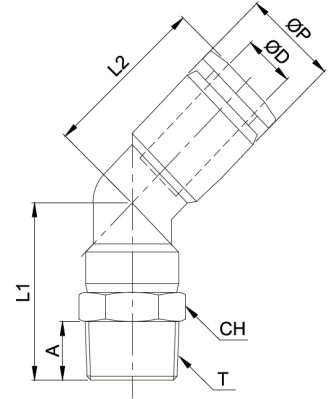
from -20°C to 80°C

#### SUITABLE TUBING

PA polyamide  
PU Polyurethane  
PE Polyethylene

#### CONNECTION

NPT & UNF, inch tube



CODE	ØD	T	ØP	A	L1	L2	CH	WEIGHT (GRAM)
SCT05-18U1032	1/8	UNF 10-32	11,1	3,8	20,7	16,2	11,1	-
SCT05-18N18		NPT 1/8"	11,1	7,5	23,2	16,2	11,1	-
SCT05-18N14		NPT 1/4"	11,1	10,5	26,7	16,2	14,3	-
SCT05-532U1032	5/32	UNF 10-32	11,1	3,8	20,7	16,2	11,1	7,8
SCT05-532N18		NPT 1/8"	11,1	7,5	23,2	16,2	11,1	8
SCT05-532N14		NPT 1/4"	11,1	10,5	26,7	16,2	14,3	13,8
SCT05-316U1032	3/16	UNF 10-32	13	3,8	20,7	16,5	11,1	10,2
SCT05-316N18		NPT 1/8"	13	7,5	23,2	16,5	11,1	10,8
SCT05-316N14		NPT 1/4"	13	10,5	26,7	16,5	14,3	15,7
SCT05-316N38		NPT 3/8"	13	11	27,7	16,5	17,4	21,9
SCT05-14U1032	1/4	UNF 10-32	13	3,8	23,1	17,7	12,7	10,5
SCT05-14N18		NPT 1/8"	13	7,5	24,4	17,7	12,7	11
SCT05-14N14		NPT 1/4"	13	10,5	27,9	17,7	14,3	16
SCT05-14N38		NPT 3/8"	13	11	28,9	17,7	17,4	22,2
SCT05-516N18	5/16	NPT 1/8"	15,1	7,5	27,6	20,9	14,3	17,3
SCT05-516N14		NPT 1/4"	15,1	10,5	30,6	20,9	14,3	17,4
SCT05-516N38		NPT 3/8"	15,1	11	31,6	20,9	17,4	25
SCT05-38N18	3/8	NPT 1/8"	18,8	7,5	30,2	24	17,4	30
SCT05-38N14		NPT 1/4"	18,8	10,5	33,2	24	17,4	30,7
SCT05-38N38		NPT 3/8"	18,8	11	33,7	24	17,4	30,1
SCT05-38N12		NPT 1/2"	18,8	14	37,2	24	22,2	46,6
SCT05-12N14	1/2	NPT 1/4"	21,5	10,5	36,2	26,3	22,2	42,6
SCT05-12N38		NPT 3/8"	21,5	11	36,7	26,3	22,2	45
SCT05-12N12		NPT 1/2"	21,5	14	39,7	26,3	22,2	49,5

# SCT06-R

## BANJO ELBOW, MALE, BSPT

### TECHNICAL FEATURES

#### MATERIAL

Nickel-plated brass & BPT

#### PRESSURE

16 Bar

#### TEMPERATURE

from -20°C to 80°C

#### SUITABLE TUBING

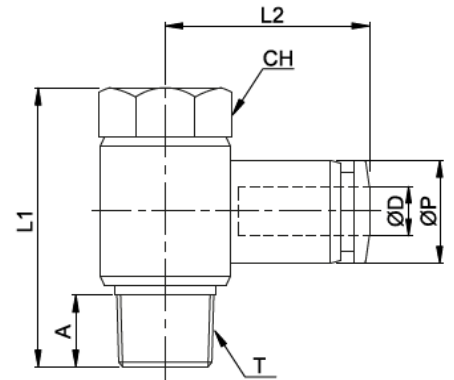
PA polyamide

PU Polyurethane

PE Polyethylene

#### CONNECTION

BSPT, metric tube



CODE	ØD	T	ØP	A	L1	L2	CH	WEIGHT (GRAM)
SCT06-04R18	4	R 1/8"	11,1	7	23	22,3	10	10,5
SCT06-04R14		R 1/4"	11,1	9,5	26,3	24	14	21,9
SCT06-06R18	6	R 1/8"	13	7	23	23,1	10	11
SCT06-06R14		R 1/4"	13	9,5	26,3	25,1	14	22,5
SCT06-06R38		R 3/8"	13	10,5	31,9	26,8	19	37,8
SCT06-08R18	8	R 1/8"	15,1	7	23	25,6	10	11,8
SCT06-08R14		R 1/4"	15,1	9,5	26,3	28,6	14	23,3
SCT06-08R38		R 3/8"	15,1	10,5	31,9	29,6	19	38,4
SCT06-08R12		R 1/2"	15,1	13,5	38,6	32,6	24	75,4
SCT06-10R14	10	R 1/4"	18,8	9,5	26,3	31	14	26,7
SCT06-10R38		R 3/8"	18,8	10,5	31,9	31,6	19	41,8
SCT06-10R12		R 1/2"	18,8	13,5	38,6	34,6	24	78,8
SCT06-12R14	12	R 1/4"	21,5	9,5	26,3	33,5	14	28,2
SCT06-12R38		R 3/8"	21,5	10,5	31,9	35,6	19	43,4
SCT06-12R12		R 1/2"	21,5	13,5	38,6	36,6	24	80,3

# SCT06-G

## BANJO ELBOW, MALE, BSPP

### TECHNICAL FEATURES

#### MATERIAL

Nickel-plated brass & BPT

#### PRESSURE

16 Bar

#### TEMPERATURE

from -20°C to 80°C

#### SUITABLE TUBING

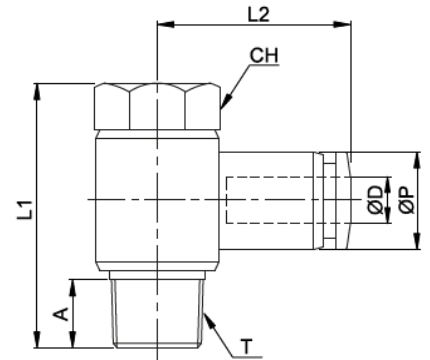
PA polyamide

PU Polyurethane

PE Polyethylene

#### CONNECTION

BSPP, metric tube



CODE	ØD	T	ØP	A	L1	L2	CH	WEIGHT (GRAM)
SCT06-04M5	4	M5x0,8	11,1	4	18	20	8	6,6
SCT06-04M6		M6x1	11,1	4,5	18,5	20	8	11,8
SCT06-04G18		G 1/8"	11,1	5	22,5	22,3	10	11,5
SCT06-06M5	6	M5x0,8	13	4	18	21,9	8	7,2
SCT06-06M6		M6x1	13	4,5	18,5	21,9	8	12,4
SCT06-06G18		G 1/8"	13	5	22,5	23,1	10	12
SCT06-06G14		G 1/4"	13	5,8	26,2	25,1	14	23
SCT06-08G18	8	G 1/8"	15,1	5	22,5	25,6	10	12,8
SCT06-08G14		G 1/4"	15,1	5,8	26,2	28,6	14	23,8
SCT06-08G38		G 3/8"	15,1	6,8	31,7	29,6	19	40,9
SCT06-10G14	10	G 1/4"	18,8	5,8	26,2	31	14	27,2
SCT06-10G38		G 3/8"	18,8	6,8	31,7	31,6	19	44,3
SCT06-12G38	12	G 3/8"	21,5	6,8	31,7	35,6	19	45,9
SCT06-12G12		G 1/2"	21,5	8	37,1	36,6	24	79,3

# SCT06-N

## BANJO ELBOW, MALE, NPT

### TECHNICAL FEATURES

#### MATERIAL

Nickel-plated brass & BPT

#### PRESSURE

16 Bar

#### TEMPERATURE

from -20°C to 80°C

#### SUITABLE TUBING

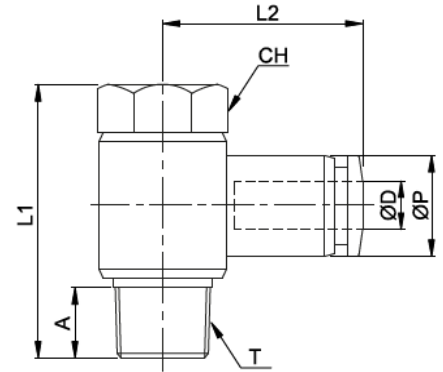
PA polyamide

PU Polyurethane

PE Polyethylene

#### CONNECTION

NPT & UNF, inch tube



CODE	ØD	T	ØP	A	L1	L2	CH	WEIGHT (GRAM)
SCT06-18U1032	1/8	UNF 10-32	11,1	3,8	17,8	20	8	-
SCT06-18N18		NPT 1/8"	11,1	7,5	23,5	22,3	11,1	-
SCT06-532U1032	5/32	UNF 10-32	11,1	3,8	17,8	20	8	6,6
SCT06-532N18		NPT 1/8"	11,1	7,5	23,5	22,3	11,1	10,5
SCT06-316U1032	3/16	UNF 10-32	13	3,8	17,8	20,3	8	7
SCT06-316N18		NPT 1/8"	13	7,5	23,5	22,6	11,1	10,8
SCT06-316N14		NPT 1/4"	13	10,5	27,3	24,3	14,3	22,2
SCT06-14N18	1/4	NPT 1/8"	13	7,5	23,5	23,1	11,1	11
SCT06-14N14		NPT 1/4"	13	10,5	27,3	25,1	14,3	22,5
SCT06-516N18	5/16	NPT 1/8"	15,1	7,5	23,5	25,6	11,1	11,8
SCT06-516N14		NPT 1/4"	15,1	10,5	27,3	28,6	14,3	23,3
SCT06-516N38		NPT 3/8"	15,1	11	32,4	29,6	19	38,4
SCT06-38N14	3/8	NPT 1/4"	18,8	10,5	27,3	32,8	14,3	26,7
SCT06-38N38		NPT 3/8"	18,8	11	32,4	33,4	19	41,8
SCT06-12N38	1/2	NPT 3/8"	21,5	11	32,4	35,6	19	43,4
SCT06-12N12		NPT 1/2"	21,5	14	39,1	36,6	25,4	80,3

# SCT07-R

## BANJO ELBOW, FEMALE, BSPT

### TECHNICAL FEATURES

#### MATERIAL

Nickel-plated brass & BPT

#### PRESSURE

16 Bar

#### TEMPERATURE

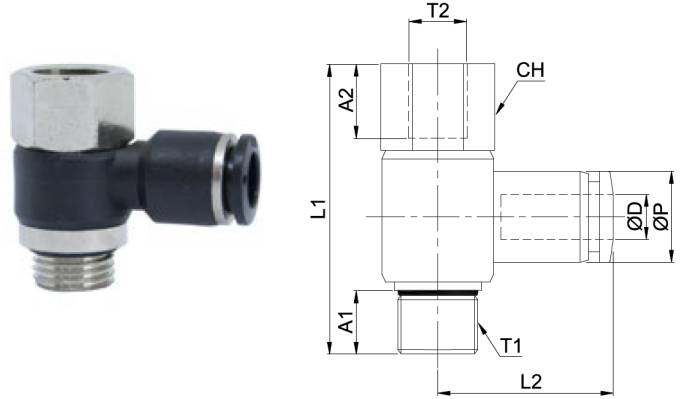
from -20°C to 80°C

#### SUITABLE TUBING

PA polyamide  
PU Polyurethane  
PE Polyethylene

#### CONNECTION

BSPT, metric tube



CODE	ØD	T1	T2	ØP	A1	A2	L1	L2	CH	WEIGHT (GRAM)
SCT07-04R18	4	R 1/8"	G 1/8"	11,1	7	7	29	22,3	14	16,4
SCT07-04R14		R 1/4"	G 1/4"	11,1	9,5	9	33,3	24,1	17	27,4
SCT07-06R18	6	R 1/8"	G 1/8"	13	7	7	29	23,1	14	17
SCT07-06R14		R 1/4"	G 1/4"	13	9,5	9	33,3	25,1	17	28
SCT07-06R38		R 3/8"	G 3/8"	13	10,5	10	39,9	26,8	19	44,8
SCT07-08R18	8	R 1/8"	G 1/8"	15,1	7	7	29	25,6	14	17,8
SCT07-08R14		R 1/4"	G 1/4"	15,1	9,5	9	33,3	28,6	17	28,8
SCT07-08R38		R 3/8"	G 3/8"	15,1	10,5	10	39,9	29,6	19	45,4
SCT07-08R12		R 1/2"	G 1/2"	15,1	13,5	12	46,5	32,6	24	71,9
SCT07-10R14	10	R 1/4"	G 1/4"	18,8	9,5	9	33,3	31	17	32,2
SCT07-10R38		R 3/8"	G 3/8"	18,8	10,5	10	39,9	31,6	19	48,8
SCT07-10R12		R 1/2"	G 1/2"	18,8	13,5	12	46,5	34,6	24	75,3
SCT07-12R14	12	R 1/4"	G 1/4"	21,5	9,5	9	33,3	33,5	17	33,7
SCT07-12R38		R 3/8"	G 3/8"	21,5	10,5	10	39,9	35,6	19	50,4
SCT07-12R12		R 1/2"	G 1/2"	21,5	13,5	12	46,5	36,6	24	76,8

# SCT07-G

## BANJO ELBOW, FEMALE, BSPP

### TECHNICAL FEATURES

#### MATERIAL

Nickel-plated brass & BPT

#### PRESSURE

16 Bar

#### TEMPERATURE

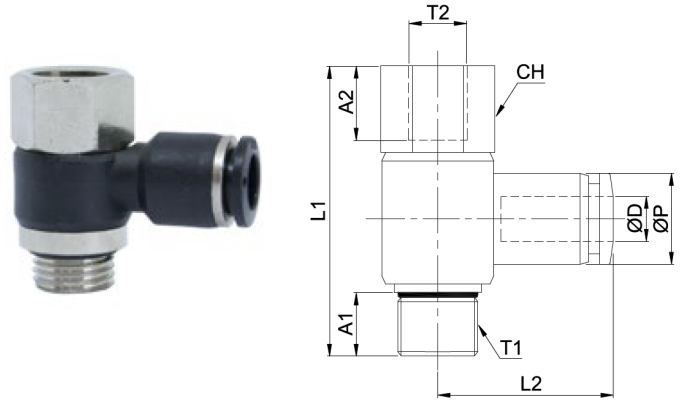
from -20°C to 80°C

#### SUITABLE TUBING

PA polyamide  
PU Polyurethane  
PE Polyethylene

#### CONNECTION

BSPP, metric tube



CODE	ØD	T1	T2	ØP	A1	A2	L1	L2	CH	WEIGHT (GRAM)
SCT07-12M5	4	M5x0,8	M5x0,8	11,1	4	5,5	20,5	20	10	8,3
SCT07-12M6		M6x1	M6x1	11,1	4,5	6	21	20	10	8,3
SCT07-12G18		G 1/8"	G 1/8"	11,1	5,5	7	30	22,3	14	18,4
SCT07-06M5	6	M5x0,8	M5x0,8	13	4	5,5	20,5	21,9	10	8,9
SCT07-06M6		M6x1	M6x1	13	4,5	6	21	21,9	10	8,9
SCT07-06G18		G 1/8"	G 1/8"	13	5,5	7	30	23,1	14	19
SCT07-06G14		G 1/4"	G 1/4"	13	6,5	9	33,7	25,1	17	30,5
SCT07-08G18	8	G 1/8"	G 1/8"	15,1	5,5	7	30	25,6	14	19,8
SCT07-08G14		G 1/8"	G 1/8"	15,1	6,5	9	33,7	28,6	17	31,3
SCT07-08G38		G 3/8"	G 3/8"	15,1	7,5	10	39,7	29,6	19	47,9
SCT07-10G14	10	G 1/4"	G 1/4"	18,8	6,5	9	33,7	31,1	17	34,7
SCT07-10G38		G 3/8"	G 3/8"	18,8	7,5	10	39,7	31,6	19	51,3
SCT07-12G38	12	G 3/8"	G 3/8"	21,5	7,5	10	39,7	35,6	19	52,9
SCT07-12G12		G 1/2"	G 1/2"	21,5	9	12	45	36,6	24	77,3

# SCT07-N

## BANJO ELBOW, FEMALE, NPT

### TECHNICAL FEATURES

#### MATERIAL

Nickel-plated brass & BPT

#### PRESSURE

16 Bar

#### TEMPERATURE

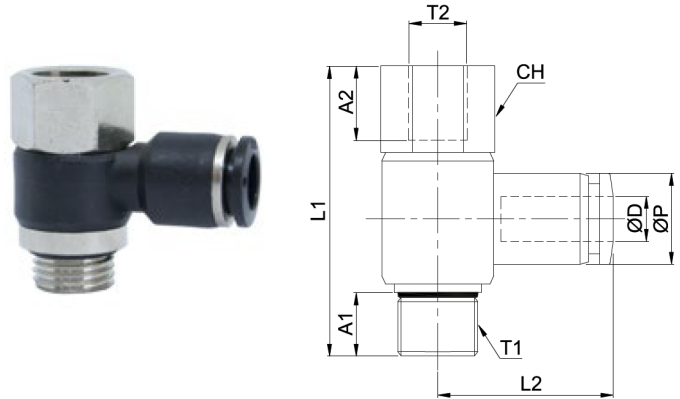
from -20°C to 80°C

#### SUITABLE TUBING

PA polyamide  
PU Polyurethane  
PE Polyethylene

#### CONNECTION

NPT & UNF, inch tube



CODE	ØD	T1	T2	ØP	A1	A2	L1	L2	CH	WEIGHT (GRAM)
SCT07-18U1032	1/8	UNF10-32	UNF 10-32	11,1	3,8	3,8	19,5	20	11,1	-
SCT07-18N18		NPT 1/8"	NPT 1/8"	11,1	7,5	7,5	30	22,3	14,3	-
SCT07-532U1032	5/32	UNF 10-32	UNF 10-32	11,1	3,8	5,5	19,5	20	11,1	8,3
SCT07-532N18		NPT 1/8"	NPT 1/8"	11,1	7,5	7,5	30	22,3	14,3	16,4
SCT07-316U1032	3/16	UNF 10-32	UNF 10-32	13	3,8	5,5	19,5	20,3	11,1	8,7
SCT07-316N18		NPT 1/8"	NPT 1/8"	13	7,5	7,5	30	22,6	14,3	16,7
SCT07-316N14		NPT 1/4"	NPT 1/4"	13	10,5	10,5	35,8	24,3	17,4	27,8
SCT07-14N18	1/4	NPT 1/8"	NPT 1/8"	13	7,5	7,5	30	23,1	14,3	17
SCT07-14N14		NPT 1/4"	NPT 1/4"	13	10,5	10,5	35,8	25,1	17,4	28
SCT07-516N18	5/16	NPT 1/8"	NPT 1/8"	15,1	7,5	7,5	30	25,6	14,3	17,8
SCT07-516N14		NPT 1/4"	NPT 1/4"	15,1	10,5	10,5	35,8	28,6	17,4	28,8
SCT07-516N38		NPT 3/8"	NPT 3/8"	15,1	11	11	40,9	29,6	22,2	45,4
SCT07-38N14	3/8	NPT 1/4"	NPT 1/4"	18,8	10,5	10,5	35,8	32,8	17,4	32,2
SCT07-38N38		NPT 3/8"	NPT 3/8"	18,8	11	11	40,9	33,4	22,2	48,8
SCT07-12N38	1/2	NPT 3/8"	NPT 3/8"	21,5	11	11	40,9	35,6	22,2	50,4
SCT07-12N12		NPT 1/2"	NPT 1/2"	21,5	14	14	49	36,6	25,4	76,8

# SCT08- PUSH-IN, BULKHEAD

## TECHNICAL FEATURES

### MATERIAL

Nickel-plated brass & BPT

### PRESSURE

16 Bar

### TEMPERATURE

from -20°C to 80°C

### SUITABLE TUBING

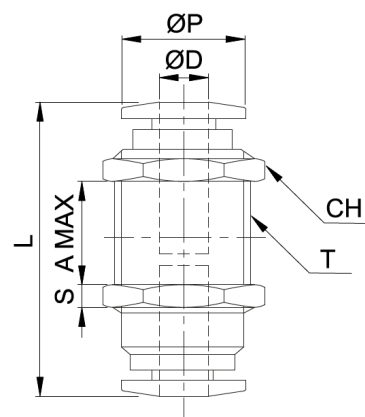
PA polyamide

PU Polyurethane

PE Polyethylene

### CONNECTION

Metric or inch tube



CODE	ØD	T	ØP	A-MAX	L	S	CH	WEIGHT (GRAM)
<b>METRIC TUBE</b>								
SCT08-0400	4 mm	M12x1	9,8	8,2	30,1	3,5	14	15,4
SCT08-0600	6 mm	M14x1	11,9	8,5	31,8	4	17	21,4
SCT08-0800	8 mm	M16x1	13,8	8,8	35,3	4,5	19	26,8
SCT08-1000	10 mm	M20x1	17,2	11,5	39	5	24	52,7
SCT08-1200	12 mm	M22x1	19,6	12,8	45,3	5	27	59,8
<b>INCH TUBE</b>								
SCT08-18	1/8"	M12x1	10	9,7	30,1	3,5	14,3	-
SCT08-532	5/32"	M12x1	10	9,7	30,1	3,5	14,3	15,4
SCT08-316	3/16"	M14x1	10,8	7,5	31,8	4	17,4	21
SCT08-14	1/4"	M14x1	12	7,5	31,8	4	17,4	21,4
SCT08-516	5/16"	M16x1	14	6,8	35,3	4,5	19	26,8
SCT08-38	3/8"	M20x1	17,4	8,9	42,6	5	22,2	52,7
SCT08-12	1/2"	M22x1	19,8	12,8	45,3	5	25,4	59,8

# SCT08-G

## FEMALE, BULKHEAD, BSPP

### TECHNICAL FEATURES

#### MATERIAL

Nickel-plated brass & BPT

#### PRESSURE

16 Bar

#### TEMPERATURE

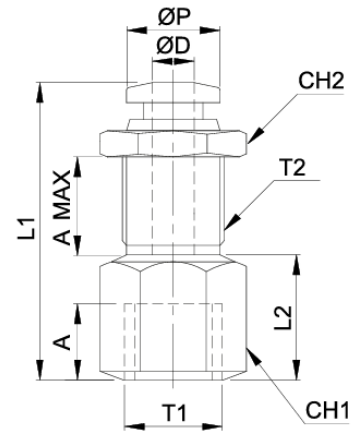
from -20°C to 80°C

#### SUITABLE TUBING

PA polyamide  
PU Polyurethane  
PE Polyethylene

#### CONNECTION

BSPP, metric tube



CODE	ØD	T	ØP	T2	A	A MAX	L1	L2	CH1	CH2	WEIGHT (GRAM)
SCT08-04G18	4	G 1/8"	M12x1	9,8	7	5,4	23,3	9,5	14	14	15,5
SCT08-04G14		G 1/4"	M12x1	9,8	9	5,4	25,4	11,6	17	14	20,4
SCT08-06G18	6	G 1/8"	M14x1	11,9	7	6,9	24,2	7	17	17	26,3
SCT08-06G14		G 1/4"	M14x1	11,9	9	6,9	29,2	12	17	17	26,5
SCT08-06G38		G 3/8"	M14x1	11,9	10	6,9	30,2	13	19	17	35,1
SCT08-08G18	8	G 1/8"	M16x1	13,8	7	9,4	26,4	5	19	19	32
SCT08-08G14		G 1/4"	M16x1	13,8	9	9,4	34,4	12	19	19	42,4
SCT08-08G38		G 3/8"	M16x1	13,8	10	9,4	34,4	13	19	19	42,4
SCT08-08G12		G 1/2"	M16x1	13,8	12	9,4	36,4	15	24	19	47,7
SCT08-10G18	10	G 1/8"	M20x1	17,2	7	9,4	29	7,7	21	24	52,8
SCT08-10G14		G 1/4"	M20x1	17,2	9	9,4	31	9,7	21	24	53,5
SCT08-10G38		G 3/8"	M20x1	17,2	10	9,4	34,3	13	21	24	53,8
SCT08-10G12		G 1/2"	M20x1	17,2	12	9,4	36,3	15	24	24	58,8
SCT08-12G14	12	G 1/4"	M22x1,5	19,6	9	10,9	33,5	9,1	24	27	68,2
SCT08-12G38		G 3/8"	M22x1,5	19,6	10	10,9	34,4	10	24	27	62,7
SCT08-12G12		G 1/2"	M22x1,5	19,6	12	10,9	39,4	15	24	27	62,3

# SCT08-N

## FEMALE, BULKHEAD, NPT

### TECHNICAL FEATURES

#### MATERIAL

Nickel-plated brass & BPT

#### PRESSURE

16 Bar

#### TEMPERATURE

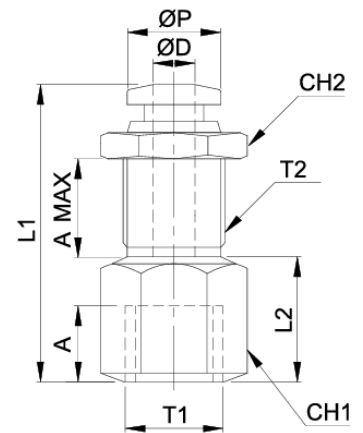
from -20°C to 80°C

#### SUITABLE TUBING

PA polyamide  
PU Polyurethane  
PE Polyethylene

#### CONNECTION

NPT & UNF, inch tube



CODE	ØD	T	ØP	T2	A	A MAX	L1	L2	CH1	CH2	WEIGHT (GRAM)
SCT08-532N18	5/32	NPT 1/8"	M12x1	10	7,5	5,4	23,8	10	14,3	14,3	15,5
SCT08-316N18	3/16	NPT 1/8"	M14x1	10,8	7,5	6,9	24,7	7,5	14,3	17,4	25,3
SCT08-316N14	3/16	NPT 1/4"	M14x1	10,8	10,5	6,9	30,4	13,5	17,4	17,4	25,6
SCT08-14N18	1/4	NPT 1/8"	M14x1	12	7,5	6,9	24,7	7,5	17,4	17,4	26,3
SCT08-14N14	1/4	NPT 1/4"	M14x1	12	10,5	6,9	30,4	13,5	17,4	17,4	26,5
SCT08-14N38	1/4	NPT 3/8"	M14x1	12	11	6,9	28,7	14	19	19	-
SCT08-516N18	5/16	NPT 1/8"	M16x1	14	7,5	9,4	27,9	7,5	17,4	19	32
SCT08-516N14	5/16	NPT 1/4"	M16x1	14	10,5	9,4	35,9	13,5	19	19	42,4
SCT08-516N38	5/16	NPT 3/8"	M16x1	14	11	9,4	35,4	14	19	19	42,4
SCT08-38N14	3/8	NPT 1/4"	M20x1	17,4	10,5	9,4	34,6	13,5	22,2	22,2	53,5
SCT08-38N38	3/8	NPT 3/8"	M20x1	17,4	11	9,4	37,4	14	22,2	22,2	53,8
SCT08-12N38	1/2	NPT 3/8"	M22x1,5	19,8	11	10,9	35,4	14	25,4	25,4	62,7
SCT08-12N12	1/2	NPT 1/2"	M22x1,5	19,8	14	10,9	41,4	15	25,4	25,4	62,3

# SCT09-R

## CENTRAL-TEE SWIVEL, MALE, BSPT

### TECHNICAL FEATURES

#### MATERIAL

Nickel-plated brass & BPT

#### PRESSURE

16 Bar

#### TEMPERATURE

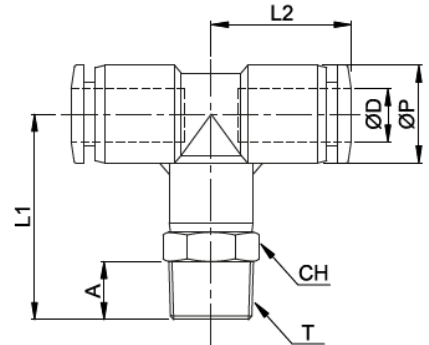
from -20°C to 80°C

#### SUITABLE TUBING

PA polyamide  
PU Polyurethane  
PE Polyethylene

#### CONNECTION

BSPT, metric tube



CODE	ØD	T	ØP	A	L1	L2	CH	WEIGHT (GRAM)
SCT09-04R18	4	R 1/8"	11,1	7	24,5	18,5	10	10,5
SCT09-04R14		R 1/4"	11,1	9,5	28	18,5	14	16,3
SCT09-06R18	6	R 1/8"	13	7	25,5	19,3	12	14,1
SCT09-06R14		R 1/4"	13	9,5	28,5	19,3	14	19,1
SCT09-06R38		R 3/8"	13	10,5	30	19,3	17	25,2
SCT09-06R12		R 1/2"	13	13,5	33,5	19,3	21	38,5
SCT09-08R18	8	R 1/8"	15,1	7	29	22,7	14	20,9
SCT09-08R14		R 1/4"	15,1	9,5	31,4	22,7	14	21
SCT09-08R38		R 3/8"	15,1	10,5	32,9	22,7	17	28,6
SCT09-08R12		R 1/2"	15,1	13,5	36,4	22,7	21	41,5
SCT09-10R18	10	R 1/8"	18,8	7	34,5	27	17	37,9
SCT09-10R14		R 1/4"	18,8	9,5	37	27	17	38,6
SCT09-10R38		R 3/8"	18,8	10,5	38	27	17	38
SCT09-10R12		R 1/2"	18,8	13,5	41,5	27	21	54,5
SCT09-12R14	12	R 1/4"	21,5	9,5	38,5	29,6	20	52,8
SCT09-12R38		R 3/8"	21,5	10,5	39,5	29,6	20	55,2
SCT09-12R12		R 1/2"	21,5	13,5	42,5	29,6	21	59,7
SCT09-16R38	16	R 3/8"	26	10,5	43	33	24	81
SCT09-16R12		R 1/2"	26	13,5	46	33	24	85,5

# SCT09-G

## CENTRAL-TEE SWIVEL, MALE, BSPP

### TECHNICAL FEATURES

#### MATERIAL

Nickel-plated brass & BPT

#### PRESSURE

16 Bar

#### TEMPERATURE

from -20°C to 80°C

#### SUITABLE TUBING

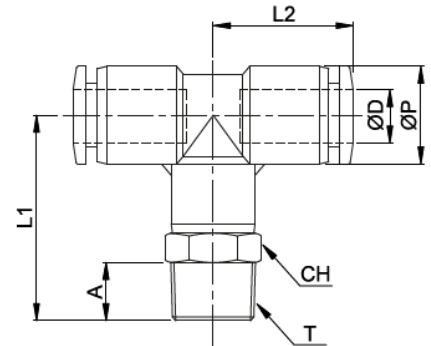
PA polyamide

PU Polyurethane

PE Polyethylene

#### CONNECTION

BSPP, metric tube



CODE	ØD	T	ØP	A	L1	L2	CH	WEIGHT (GRAM)
SCT09-04M5	4	M5x0,8	11,1	3,8	22,3	18,5	10	10,6
SCT09-04M6		M6x1	11,1	4,5	23	18,5	10	10,8
SCT09-04G18		G 1/8"	11,1	5	25	18,5	14	14,2
SCT09-04G14		G 1/4"	11,1	5,8	26,3	18,5	17	20,3
SCT09-06M5	6	M5x0,8	13	3,8	23,3	19,3	12	13,9
SCT09-06M6		M6x1	13	4,5	24	19,3	12	14,6
SCT09-06G18		G 1/8"	13	5	25,5	19,3	14	17,2
SCT09-06G14		G 1/4"	13	5,8	26,8	19,3	17	20,5
SCT09-06G38		G 3/8"	13	6,8	28,3	19,3	20	27
SCT09-06G12	G 1/2"	13	8	29,5	19,3	24	41	
SCT09-08G18	8	G 1/8"	15,1	5	28,4	22,7	14	20,8
SCT09-08G14		G 1/4"	15,1	5,8	29,7	22,7	17	23,8
SCT09-08G38		G 3/8"	15,1	6,8	31,2	22,7	20	29,9
SCT09-08G12		G 1/2"	15,1	8	32,4	22,7	24	40,1
SCT09-10G18	10	G 1/8"	18,8	5	34	27	17	38,4
SCT09-10G14		G 1/4"	18,8	5,8	34,8	27	17	37,7
SCT09-10G38		G 3/8"	18,8	6,8	36,3	27	20	41,8
SCT09-10G12		G 1/2"	18,8	8	38,5	27	24	54,5
SCT09-12G14	12	G 1/4"	21,5	5,8	36,8	29,6	21	52,4
SCT09-12G38		G 3/8"	21,5	6,8	37,8	29,6	21	53
SCT09-12G12		G 1/2"	21,5	8	39,5	29,6	24	60,3
SCT09-14G38	14	G 3/8"	23,2	6,8	39,8	31,7	21	61
SCT09-14G12		G 1/2"	23,2	8	41,5	31,7	24	69
SCT09-16G38	16	G 3/8"	26	6,8	40,8	33	24	76,6
SCT09-16G12		G 1/2"	26	8	42	33	24	79,4

# SCT09-N

## CENTRAL-TEE SWIVEL, MALE, NPT

### TECHNICAL FEATURES

#### MATERIAL

Nickel-plated brass & BPT

#### PRESSURE

16 Bar

#### TEMPERATURE

from -20°C to 80°C

#### SUITABLE TUBING

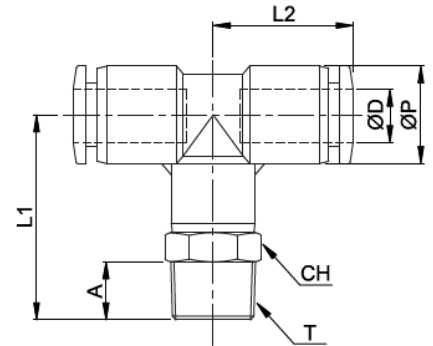
PA polyamide

PU Polyurethane

PE Polyethylene

#### CONNECTION

NPT & UNF, inch tube



CODE	ØD	T	ØP	A	L1	L2	CH	WEIGHT (GRAM)
SCT09-18U1032	1/8	UNF 10-32	11,1	3,8	23	18,5	11,1	10,3
SCT09-18N18		NPT 1/8"	11,1	7,5	25,5	18,5	11,1	10,2
SCT09-18N14		NPT 1/4"	11,1	10,5	29	18,5	14,3	16
SCT09-532U1032	5/32	UNF 10-32	11,1	3,8	23	18,5	11,1	10,6
SCT09-532N18		NPT 1/8"	11,1	7,5	25,5	18,5	11,1	10,5
SCT09-532N14		NPT 1/4"	11,1	10,5	29	18,5	14,3	16,3
SCT09-316U1032	3/16	UNF 10-32	13	3,8	23	18,8	11,1	13,7
SCT09-316N18		NPT 1/8"	13	7,5	25,5	18,8	11,1	13,9
SCT09-316N14		NPT 1/4"	13	10,5	29	18,8	14,3	18,8
SCT09-316N38		NPT 3/8"	13	11	30	18,8	17,4	25
SCT09-14U1032	1/4	UNF 10-32	13	3,8	24,7	19,3	12,7	13,9
SCT09-14N18		NPT 1/8"	13	7,5	26	19,3	12,7	14,1
SCT09-14N14		NPT 1/4"	13	10,5	29,5	19,3	14,3	19,1
SCT09-14N38		NPT 3/8"	13	11	30,5	19,3	17,4	25,2
SCT09-516N18	5/16	NPT 1/8"	15,1	7,5	29,5	22,7	14,3	20,9
SCT09-516N14		NPT 1/4"	15,1	10,5	32,5	22,7	14,3	21
SCT09-516N38		NPT 3/8"	15,1	11	33,5	22,7	17,4	28,6
SCT09-38N18	3/8	NPT 1/8"	18,8	7,5	35	28,8	17,4	37,9
SCT09-38N14		NPT 1/4"	18,8	10,5	38	28,8	17,4	38,6
SCT09-38N38		NPT 3/8"	18,8	11	38,5	28,8	17,4	38
SCT09-38N12		NPT 1/2"	18,8	14	42	28,8	22,2	54,5
SCT09-12N14	1/2	NPT 1/4"	21,5	10,5	39,5	29,6	22,2	52,8
SCT09-12N38		NPT 3/8"	21,5	11	40	29,6	22,2	55,2
SCT09-12N12		NPT 1/2"	21,5	14	43	29,6	22,2	59,7

# SCT09- TEE, PUSH-IN

## TECHNICAL FEATURES

### MATERIAL

Nickel-plated brass & BPT

### PRESSURE

16 Bar

### TEMPERATURE

from -20°C to 80°C

### SUITABLE TUBING

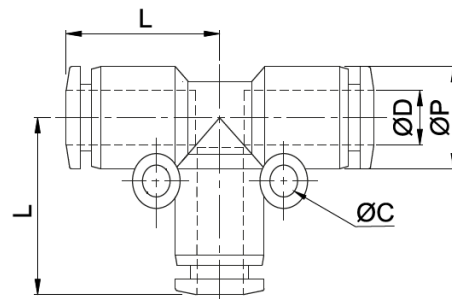
PA polyamide

PU Polyurethane

PE Polyethylene

### CONNECTION

Metric or inch tube



CODE	ØD	ØP	ØC	L	WEIGHT (GRAM)
------	----	----	----	---	---------------

### METRIC TUBE

SCT09-0400	4	11,1	3,2	18,5	6,5
SCT09-0600	6	13	3,2	19,3	8,1
SCT09-0800	8	15,1	3,2	22,7	10,6
SCT09-1000	10	18,8	4,2	27	21,4
SCT09-1200	12	21,5	4,3	29,6	26,7
SCT09-1400	14	23,2	5,1	31,7	31
SCT09-1600	16	26	5,1	33	39,7

### INCH TUBE

SCT09-18	1/8	11,1	3,2	18,5	6,2
SCT09-532	5/32	11,1	3,2	18,5	6,5
SCT09-316	3/16	13	3,2	18,8	7,5
SCT09-14	1/4	13	3,2	19,3	8,1
SCT09-516	5/16	15,1	3,2	22,7	10,6
SCT09-38	3/8	18,8	4,2	28,8	21,4
SCT09-12	1/2	21,5	4,2	29,6	26,7

# SCT09- TEE REDUCED, PUSH-IN

## TECHNICAL FEATURES

### MATERIAL

Nickel-plated brass & BPT

### PRESSURE

16 Bar

### TEMPERATURE

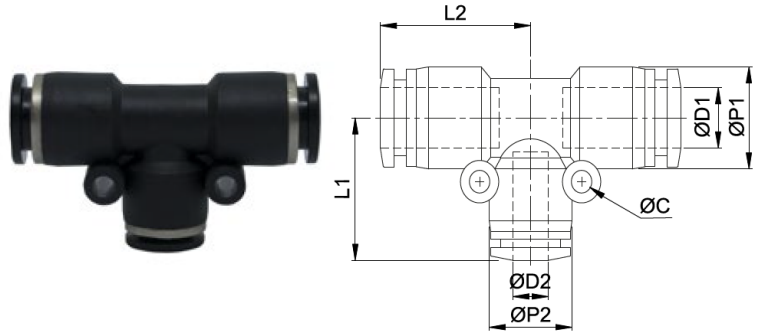
from -20°C to 80°C

### SUITABLE TUBING

PA polyamide  
PU Polyurethane  
PE Polyethylene

### CONNECTION

Metric or inch tube



CODE	ØD1	ØD2	ØP1	ØP2	ØC	L1	L2	WEIGHT (GRAM)
------	-----	-----	-----	-----	----	----	----	---------------

### METRIC TUBE

SCT09-0604	6	4	13	11,1	3,2	19,5	19,3	8,1
SCT09-0804	8	4	15,1	11,1	3,2	19,8	22,8	9,8
SCT09-0806	8	6	15,1	13	3,2	20,3	22,8	10,6
SCT09-1008	10	8	18,8	15,1	4,2	24,8	27	20,2
SCT09-1210	12	10	21,5	18,8	4,2	28,5	29,6	26,9
SCT09-1612	16	12	26	21,5	5,1	32,1	33	41,9

### INCH TUBE

SCT09-14532	1/4	5/32	13	11,1	3,2	19,5	19,3	8
SCT09-51614	5/16	1/4	15,1	13	3,2	20,3	22,9	10,6
SCT09-38516	3/8	5/16	18,8	15,1	3,2	24,8	28,8	20,2
SCT09-1238	1/2	3/8	21,5	18,8	4,2	30,3	29,4	26,9

# SCT09S-

## TEE WITH STEM, PUSH-IN

### TECHNICAL FEATURES

#### MATERIAL

Nickel-plated brass & BPT

#### PRESSURE

16 Bar

#### TEMPERATURE

from -20°C to 80°C

#### SUITABLE TUBING

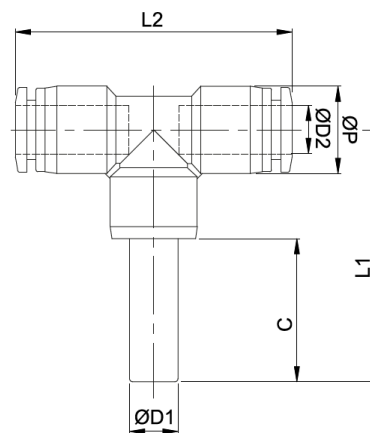
PA polyamide

PU Polyurethane

PE Polyethylene

#### CONNECTION

Metric tube



CODE	ØD1	ØD2	ØP1	ØP1	ØC	L1	L2
------	-----	-----	-----	-----	----	----	----

### METRIC TUBE

SCT09S-0400	4	4	11,1	34,7	37	20,2	-
SCT09S-0600	6	6	13	35,2	38,6	20,2	-
SCT09S-0800	8	8	15,1	41,6	45,7	23,6	-
SCT09S-1000	10	10	18,8	51,1	57,6	28,1	-
SCT09S-1200	12	12	21,5	55,2	58,8	31,2	-

# SCT09S-

## TEE WITH STEM REDUCED, PUSH-IN

### TECHNICAL FEATURES

#### MATERIAL

Nickel-plated brass & BPT

#### PRESSURE

16 Bar

#### TEMPERATURE

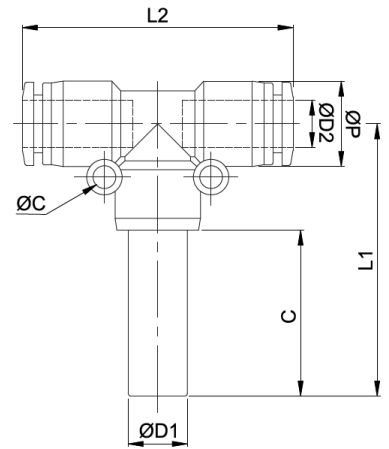
from -20°C to 80°C

#### SUITABLE TUBING

PA polyamide  
PU Polyurethane  
PE Polyethylene

#### CONNECTION

Metric tube



CODE	ØD1	ØD2	ØP1	ØP1	ØC	L1	L2	WEIGHT (GRAM)
METRIC TUBE								
SCT09S-0604	6	4	11,1	3,2	34,7	37	20,2	-
SCT09S-0806	8	6	13	3,2	38,6	38,6	23,6	-
SCT09S-1008	10	8	15,1	3,2	46,1	45,7	28,1	-
SCT09S-1210	12	10	18,8	4,2	54,2	57,6	31,2	-

# SCT10-R

## SWIVEL Y-CONNECTOR, MALE, BSPT

### TECHNICAL FEATURES

#### MATERIAL

Nickel-plated brass & BPT

#### PRESSURE

16 Bar

#### TEMPERATURE

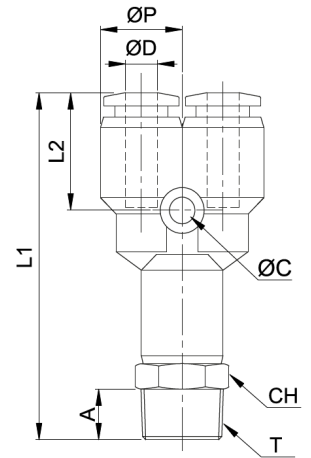
from -20°C to 80°C

#### SUITABLE TUBING

PA polyamide  
PU Polyurethane  
PE Polyethylene

#### CONNECTION

BSPT, metric tube



CODE	ØD	T	ØP	ØC	A	L1	L2	CH	WEIGHT (GRAM)
SCT10-04R18	4	R 1/8"	11,1	3,2	7	41,5	14	10	10,7
SCT10-04R14		R 1/4"	11,1	3,2	9,5	45	14	14	16,6
SCT10-06R18	6	R 1/8"	13	3,2	7	43,3	14,8	12	14,6
SCT10-06R14		R 1/4"	13	3,2	9,5	46,3	14,8	14	19,6
SCT10-06R38		R 3/8"	13	3,2	10,5	47,8	14,8	17	25,8
SCT10-06R12		R 1/2"	13	3,2	13,5	51,3	14,8	21	39
SCT10-08R18	8	R 1/8"	15,1	3,2	7	46,6	18,2	14	21
SCT10-08R14		R 1/4"	15,1	3,2	9,5	49,1	18,2	14	21,1
SCT10-08R38		R 3/8"	15,1	3,2	10,5	50,6	18,2	17	28,7
SCT10-08R12		R 1/2"	15,1	3,2	13,5	54,1	18,2	21	41,6
SCT10-10R18	10	R 1/8"	18,8	4,2	7	54,6	19,5	17	38,3
SCT10-10R14		R 1/4"	18,8	4,2	9,5	57,1	19,5	17	39
SCT10-10R38		R 3/8"	18,8	4,2	10,5	58,1	19,5	17	38,4
SCT10-10R12		R 1/2"	18,8	4,2	13,5	61,6	19,5	21	54,9
SCT10-12R14	12	R 1/4"	21,5	4,3	9,5	62,1	21,6	21	53,6
SCT10-12R38		R 3/8"	21,5	4,3	10,5	63,1	21,6	21	46
SCT10-12R12		R 1/2"	21,5	4,3	13,5	66,1	21,6	21	60,5

# SCT10-G

## SWIVEL Y-CONNECTOR, MALE, BSPP

### TECHNICAL FEATURES

#### MATERIAL

Nickel-plated brass & BPT

#### PRESSURE

16 Bar

#### TEMPERATURE

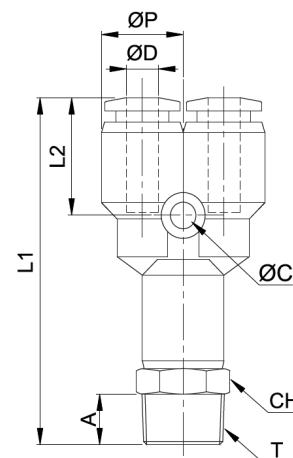
from -20°C to 80°C

#### SUITABLE TUBING

PA polyamide  
PU Polyurethane  
PE Polyethylene

#### CONNECTION

BSPP, metric tube



CODE	ØD	T	ØP	ØC	A	L1	L2	CH	WEIGHT (GRAM)
SCT10-04M5	4	M5x0,8	11,1	3,2	3,8	39,3	14	10	10,8
SCT10-04M6		M6x1	11,1	3,2	4,5	40	14	10	11
SCT10-04G18		G 1/8"	11,1	3,2	5	42	14	14	14,5
SCT10-04G14		G 1/4"	11,1	3,2	5,8	43,3	14	17	20,6
SCT10-06M5	6	M5x0,8	13	3,2	3,8	41,1	14,8	12	14,5
SCT10-06M6		M6x1	13	3,2	4,5	41,8	14,8	12	15,1
SCT10-06G18		G 1/8"	13	3,2	5	43,3	14,8	14	17,7
SCT10-06G14		G 1/4"	13	3,2	5,8	44,6	14,8	17	21
SCT10-06G38		G 3/8"	13	3,2	6,8	46,1	14,8	20	27,5
SCT10-06G12	G 1/2"	13	3,2	8	47,3	14,8	24	41,5	
SCT10-08G18	8	G 1/8"	15,1	3,2	5	46,1	18,2	14	20,9
SCT10-08G14		G 1/4"	15,1	3,2	5,8	47,4	18,2	17	23,9
SCT10-08G38		G 3/8"	15,1	3,2	6,8	48,9	18,2	20	30
SCT10-08G12		G 1/2"	15,1	3,2	8	50,1	18,2	24	40,2
SCT10-10G18	10	G 1/8"	18,8	4,2	5	54,1	19,5	17	38,8
SCT10-10G14		G 1/4"	18,8	4,2	5,8	54,9	19,5	17	38,1
SCT10-10G38		G 3/8"	18,8	4,2	6,8	56,4	19,5	20	42,2
SCT10-10G12		G 1/2"	18,8	4,2	8	58,6	19,5	24	54,9
SCT10-12G14	12	G 1/4"	21,5	4,3	5,8	60,4	21,6	21	53,2
SCT10-12G38		G 3/8"	21,5	4,3	6,8	61,4	21,6	21	53,8
SCT10-12G12		G 1/2"	21,5	4,3	8	63,1	21,6	24	61,1

# SCT10-N

## SWIVEL Y-CONNECTOR, MALE, NPT

### TECHNICAL FEATURES

#### MATERIAL

Nickel-plated brass & BPT

#### PRESSURE

16 Bar

#### TEMPERATURE

from -20°C to 80°C

#### SUITABLE TUBING

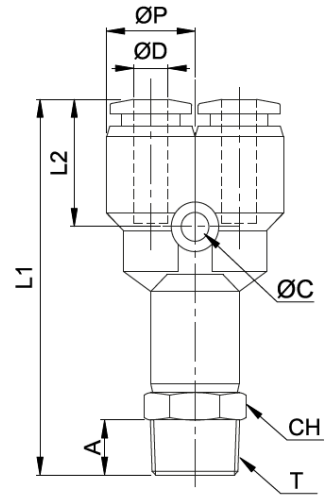
PA polyamide

PU Polyurethane

PE Polyethylene

#### CONNECTION

NPT or UNF, inch tube



CODE	ØD	T	ØP	ØC	A	L1	L2	CH	WEIGHT (GRAM)
SCT10-18U1032	1/8	UNF 10-32	11,1	3,2	3,8	39,5	14	11,1	-
SCT10-18N18		NPT 1/8"	11,1	3,2	7,5	42	14	11,1	-
SCT10-18N14		NPT 1/4"	11,1	3,2	10,5	46	14	14,3	-
SCT10-532U1032	5/32	UNF 10-32	11,1	3,2	3,8	39,5	14	11,1	10,4
SCT10-532N18		NPT 1/8"	11,1	3,2	7,5	42	14	11,1	10,7
SCT10-532N14		NPT 1/4"	11,1	3,2	10,5	46	14	14,3	16,6
SCT10-316U1032	3/16	UNF 10-32	13	3,2	3,8	40,8	14,3	11,1	14,2
SCT10-316N18		NPT 1/8"	13	3,2	7,5	43,3	14,3	11,1	14,4
SCT10-316N14		NPT 1/4"	13	3,2	10,5	46,3	14,3	14,3	19,3
SCT10-316N38		NPT 3/8"	13	3,2	11	47,3	14,3	17,4	25,5
SCT10-14U1032	1/4	UNF 10-32	13	3,2	3,8	42,5	14,8	12,7	14,5
SCT10-14N18		NPT 1/8"	13	3,2	7,5	43,8	14,8	12,7	14,6
SCT10-14N14		NPT 1/4"	13	3,2	10,5	47,3	14,8	14,3	19,6
SCT10-14N38		NPT 3/8"	13	3,2	11	48,3	14,8	17,4	25,8
SCT10-516N18	5/16	NPT 1/8"	15,1	3,2	7,5	47,1	18,2	14,3	21
SCT10-516N14		NPT 1/4"	15,1	3,2	10,5	50,1	18,2	14,3	21,1
SCT10-516N38		NPT 3/8"	15,1	3,2	11	51,1	18,2	17,4	28,7
SCT10-38N18	3/8	NPT 1/8"	18,8	4,2	7,5	56,9	21,3	17,4	38,3
SCT10-38N14		NPT 1/4"	18,8	4,2	10,5	59,9	21,3	17,4	39
SCT10-38N38		NPT 3/8"	18,8	4,2	11	60,4	21,3	17,4	38,4
SCT10-38N12		NPT 1/2"	18,8	4,2	14	63,9	21,3	22,2	54,9
SCT10-12N14	1/2	NPT 1/4"	21,5	4,3	10,5	63,1	21,6	22,2	53,6
SCT10-12N38		NPT 3/8"	21,5	4,3	11	63,6	21,6	22,2	46
SCT10-12N12		NPT 1/2"	21,5	4,3	14	66,6	21,6	22,2	60,5

# SCT10- Y-CONNECTOR, PUSH-IN

## TECHNICAL FEATURES

### MATERIAL

Nickel-plated brass & BPT

### PRESSURE

16 Bar

### TEMPERATURE

from -20°C to 80°C

### SUITABLE TUBING

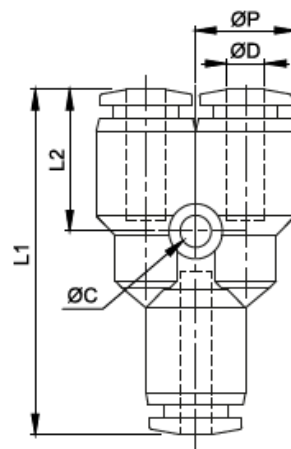
PA polyamide

PU Polyurethane

PE Polyethylene

### CONNECTION

Metric or inch tube



CODE	ØD	ØP	ØC	L1	L2	WEIGHT (GRAM)
------	----	----	----	----	----	---------------

### METRIC TUBE

SCT10-0400	4	11,1	3,2	35,5	14	6,8
SCT10-0600	6	13	3,2	37,1	14,8	8,6
SCT10-0800	8	15,1	3,2	40,4	18,2	10,7
SCT10-1000	10	18,8	4,2	47,1	19,5	21,8
SCT10-1200	12	21,5	4,2	53,2	21,6	27,5
SCT10-1600	16	26	5,1	61	23,5	33,5

### INCH TUBE

SCT10-18	1/8	11,1	3,2	35,5	14	6,5
SCT10-532	5/32	11,1	3,2	35,5	14	6,8
SCT10-316	3/16	13	3,2	36,1	14,3	8,2
SCT10-14	1/4	13	3,2	37,1	14,8	8,6
SCT10-516	5/16	15,5	3,2	40,4	18,2	10,7
SCT10-38	3/8	18,8	4,2	50,7	21,3	21,8
SCT10-12	1/2	21,5	4,2	53,2	21,6	27,5

# SCT10-

## Y-CONNECTOR REDUCED, PUSH-IN

### TECHNICAL FEATURES

#### MATERIAL

Nickel-plated brass & BPT

#### PRESSURE

16 Bar

#### TEMPERATURE

from -20°C to 80°C

#### SUITABLE TUBING

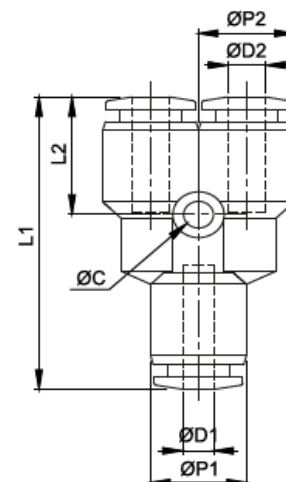
PA polyamide

PU Polyurethane

PE Polyethylene

#### CONNECTION

Metric or inch tube



CODE	ØD1	ØD2	ØP1	ØP2	ØC	L1	L2	WEIGHT (GRAM)
------	-----	-----	-----	-----	----	----	----	---------------

### METRIC TUBE

SCT10-0604	6	4	13	11,1	3,2	36,8	14,5	9,2
SCT10-0806	8	6	15,1	13	3,2	39,9	17,7	11,4
SCT10-1008	10	8	18,8	15,1	4,2	47,9	20,3	21,8
SCT10-1210	12	10	21,5	18,8	4,2	51,6	20	29,3

### INCH TUBE

SCT10-53218	5/32	1/8	11,1	11,1	3,2	35,5	14	8
SCT10-316532	3/16	5/32	13	11,1	3,2	35,8	14	8,9
SCT10-14532	1/4	5/32	13	11,1	3,2	36,8	14,5	9,2
SCT10-14316	1/4	3/16	13	13	3,2	37,1	14,8	10
SCT10-51614	5/16	1/4	15,1	13	3,2	39,9	17,7	11,4
SCT10-3814	3/8	1/4	18,8	13	3,2	43,5	17,7	13
SCT10-38516	3/8	5/16	18,8	15,1	4,2	49,7	20,3	21,8
SCT10-1238	1/2	3/8	21,5	18,8	4,2	53,4	21,8	29,3

# SCT10S-

## Y-CONNECTOR WITH STEM, PUSH-IN

### TECHNICAL FEATURES

#### MATERIAL

Nickel-plated brass & BPT

#### PRESSURE

16 Bar

#### TEMPERATURE

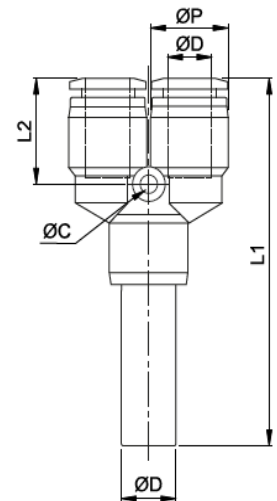
from -20°C to 80°C

#### SUITABLE TUBING

PA polyamide  
PU Polyurethane  
PE Polyethylene

#### CONNECTION

Metric or inch tube



CODE	ØD	ØP	ØC	L1	L2	WEIGHT (GRAM)
------	----	----	----	----	----	---------------

### METRIC TUBE

SCT10S-0400	4	11,1	3,2	51,7	14	10,2
SCT10S-0600	6	13	3,2	53	14,8	14,4
SCT10S-0800	8	15,1	3,2	59,3	18,3	20,4
SCT10S-1000	10	18,8	4,2	73	21,3	38,1
SCT10S-1200	12	21,5	4,2	78,6	21,4	49,9

### INCH TUBE

SCT10S-532	5/32	11,1	3,2	51,7	14	10,2
SCT10S-14	1/4	13	3,2	53	14,8	14,4
SCT10S-516	5/16	15,1	3,2	59,3	18,3	20,4
SCT10S-38	3/8	18,8	4,2	73	21,3	38,1
SCT10S-12	1/2	21,5	4,2	78,6	21,4	49,9

# SCT10S-

## Y-CONNECTOR WITH STEM REDUCED, PUSH-IN

### TECHNICAL FEATURES

#### MATERIAL

Nickel-plated brass & BPT

#### PRESSURE

16 Bar

#### TEMPERATURE

from -20°C to 80°C

#### SUITABLE TUBING

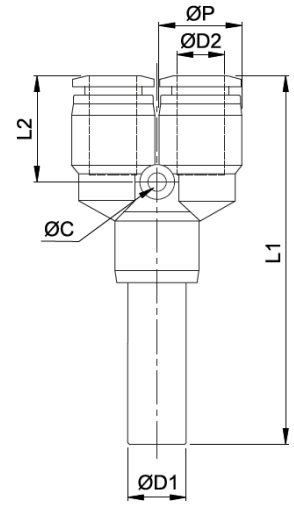
PA polyamide

PU Polyurethane

PE Polyethylene

#### CONNECTION

Metric or inch tube



CODE	ØD1	ØD2	ØP	ØC	L1	L2	WEIGHT (GRAM)
------	-----	-----	----	----	----	----	---------------

### METRIC TUBE

SCT10S-0604	6	4	11,1	3,2	51,7	14	14,5
SCT10S-0806	8	6	13	3,2	53	14,8	20,4
SCT10S-1008	10	8	15,1	4,2	59,3	18,3	35,5
SCT10S-1210	12	10	18,8	4,2	73	21,3	50,5

### INCH TUBE

SCT10S-14532	1/4	5/32	13	3,2	51,7	14	14,5
SCT10S-51614	5/16	1/4	15,1	3,2	53	14,8	20,4
SCT10S-38516	3/8	5/16	18,8	4,2	59,3	18,3	35,5
SCT10S-1238	1/2	3/8	21,5	4,2	73	21,3	50,5

# SCT11-R

## SWIFEL SIDE-TEE MALE, BSPT

### TECHNICAL FEATURES

#### MATERIAL

Nickel-plated brass & BPT

#### PRESSURE

16 Bar

#### TEMPERATURE

from -20°C to 80°C

#### SUITABLE TUBING

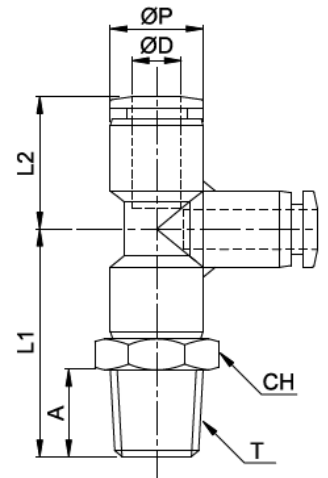
PA polyamide

PU Polyurethane

PE Polyethylene

#### CONNECTION

BSPT, metric tube



CODE	ØD	T	ØP	A	L1	L2	CH	WEIGHT (GRAM)
SCT11-04R18	4	R 1/8"	11,1	7	24,5	18,5	10	10,5
SCT11-04R14		R 1/4"	11,1	9,5	28	18,5	14	16,3
SCT11-06R18	6	R 1/8"	13	7	25,5	19,3	12	14,1
SCT11-06R14		R 1/4"	13	9,5	28,5	19,3	14	19,1
SCT11-06R38		R 3/8"	13	10,5	30	19,3	17	25,2
SCT11-06R12		R 1/2"	13	13,5	33,5	19,3	21	38,5
SCT11-08R18	8	R 1/8"	15,1	7	29	22,7	14	20,9
SCT11-08R14		R 1/4"	15,1	9,5	31,4	22,7	14	21
SCT11-08R38		R 3/8"	15,1	10,5	32,9	22,7	17	28,6
SCT11-08R12		R 1/2"	15,1	13,5	36,4	22,7	21	41,5
SCT11-10R18	10	R 1/8"	18,8	7	34,5	27	17	37,9
SCT11-10R14		R 1/4"	18,8	9,5	37	27	17	38,6
SCT11-10R38		R 3/8"	18,8	10,5	38	27	17	38
SCT11-10R12		R 1/2"	18,8	13,5	41,5	27	21	54,5
SCT11-12R14	12	R 1/4"	21,5	9,5	38,5	29,6	21	52,8
SCT11-12R38		R 3/8"	21,5	10,5	39,5	29,6	21	55,2
SCT11-12R12		R 1/2"	21,5	13,5	42,5	29,6	21	59,7

# SCT11-G

## SWIFEL SIDE-TEE MALE, BSPP

### TECHNICAL FEATURES

#### MATERIAL

Nickel-plated brass & BPT

#### PRESSURE

16 Bar

#### TEMPERATURE

from -20°C to 80°C

#### SUITABLE TUBING

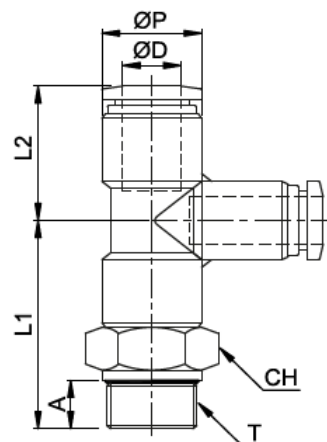
PA polyamide

PU Polyurethane

PE Polyethylene

#### CONNECTION

BSPP, metric tube



CODE	ØD	T	ØP	ØC	A	L1	L2	CH	WEIGHT (GRAM)
SCT11-04M5	4	M5x0,8	11,1	3,2	3,8	39,3	14	10	10,8
SCT11-04M6		M6x1	11,1	3,2	4,5	40	14	10	11
SCT11-04G18		G 1/8"	11,1	3,2	5	42	14	14	14,5
SCT11-04G14		G 1/4"	11,1	3,2	5,8	43,3	14	17	20,6
SCT11-06M5	6	M5x0,8	13	3,2	3,8	41,1	14,8	12	14,5
SCT11-06M6		M6x1	13	3,2	4,5	41,8	14,8	12	15,1
SCT11-06G18		G 1/8"	13	3,2	5	43,3	14,8	14	17,7
SCT11-06G14		G 1/4"	13	3,2	5,8	44,6	14,8	17	21
SCT11-06G38		G 3/8"	13	3,2	6,8	46,1	14,8	20	27,5
SCT11-06G12		G 1/2"	13	3,2	8	47,3	14,8	24	41,5
SCT11-08G18	8	G 1/8"	15,1	3,2	5	46,1	18,2	14	20,9
SCT11-08G14		G 1/4"	15,1	3,2	5,8	47,4	18,2	17	23,9
SCT11-08G38		G 3/8"	15,1	3,2	6,8	48,9	18,2	20	30
SCT11-08G12		G 1/2"	15,1	3,2	8	50,1	18,2	24	40,2
SCT11-10G18	10	G 1/8"	18,8	4,2	5	54,1	19,5	17	38,8
SCT11-10G14		G 1/4"	18,8	4,2	5,8	54,9	19,5	17	38,1
SCT11-10G38		G 3/8"	18,8	4,2	6,8	56,4	19,5	20	42,2
SCT11-10G12		G 1/2"	18,8	4,2	8	58,6	19,5	24	54,9
SCT11-12G14	12	G 1/4"	21,5	4,3	5,8	60,4	21,6	21	53,2
SCT11-12G38		G 3/8"	21,5	4,3	6,8	61,4	21,6	21	53,8
SCT11-12G12		G 1/2"	21,5	4,3	8	63,1	21,6	24	61,1

# SCT11-N

## SWIFEL SIDE-TEE MALE, NPT

### TECHNICAL FEATURES

#### MATERIAL

Nickel-plated brass & BPT

#### PRESSURE

16 Bar

#### TEMPERATURE

from -20°C to 80°C

#### SUITABLE TUBING

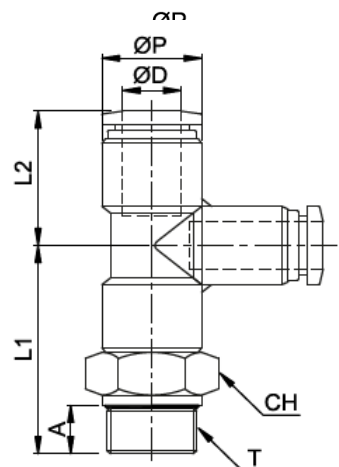
PA polyamide

PU Polyurethane

PE Polyethylene

#### CONNECTION

NPT & UNF, inch tube



CODE	ØD	T	ØP	A	L1	L2	CH	WEIGHT (GRAM)
SCT11-18U1032	1/8	UNF 10-32	11,1	3,8	23	18,5	11,1	10,2
SCT11-18N18		NPT 1/8"	11,1	7,5	25,5	18,5	11,1	10,4
SCT11-18N14		NPT 1/4"	11,1	10,5	29	18,5	14,3	-
SCT11-532U1032	5/32	UNF 10-32	11,1	3,8	23	18,5	11,1	10,8
SCT11-532N18		NPT 1/8"	11,1	7,5	25,5	18,5	11,1	10,5
SCT11-532N14		NPT 1/4"	11,1	10,5	29	18,5	14,3	16,3
SCT11-316U1032	3/16	UNF 10-32	13	3,8	23	18,8	11,1	14,3
SCT11-316N18		NPT 1/8"	13	7,5	25,5	18,8	11,1	13,8
SCT11-316N14		NPT 1/4"	13	10,5	29	18,8	14,3	18,9
SCT11-316N38		NPT 3/8"	13	11	30	18,8	17,4	24,9
SCT11-14U1032	1/4	UNF 10-32	13	3,8	24,7	19,3	12,7	14,5
SCT11-14N18		NPT 1/8"	13	7,5	26	19,3	12,7	14,1
SCT11-14N14		NPT 1/4"	13	10,5	29,5	19,3	14,3	19,1
SCT11-14N38		NPT 3/8"	13	11	30,5	19,3	17,4	25,2
SCT11-516N18	5/16	NPT 1/8"	15,1	7,5	29,5	22,7	14,3	20,9
SCT11-516N14		NPT 1/4"	15,1	10,5	32,5	22,7	14,3	21
SCT11-516N38		NPT 3/8"	15,1	11	33,5	22,7	17,4	28,6
SCT11-38N18	3/8	NPT 1/8"	18,8	7,5	35	28,8	17,4	37,9
SCT11-38N14		NPT 1/4"	18,8	10,5	38	28,8	17,4	38,6
SCT11-38N38		NPT 3/8"	18,8	11	38,5	28,8	17,4	38
SCT11-38N12		NPT 1/2"	18,8	14	42	28,8	22,2	54,5
SCT11-12N14	1/2	NPT 1/4"	21,5	10,5	39,5	29,6	22,2	52,8
SCT11-12N38		NPT 3/8"	21,5	11	40	29,6	22,2	55,2
SCT11-12N12		NPT 1/2"	21,5	14	43	29,6	22,2	59,7

# SCT12-R, SCT12-G, SCT12-N

## MULTI SIDE-TEE REDUCED, MALE

### TECHNICAL FEATURES

#### MATERIAL

Nickel-plated brass & BPT

#### PRESSURE

16 Bar

#### TEMPERATURE

from -20°C to 80°C

#### SUITABLE TUBING

PA polyamide

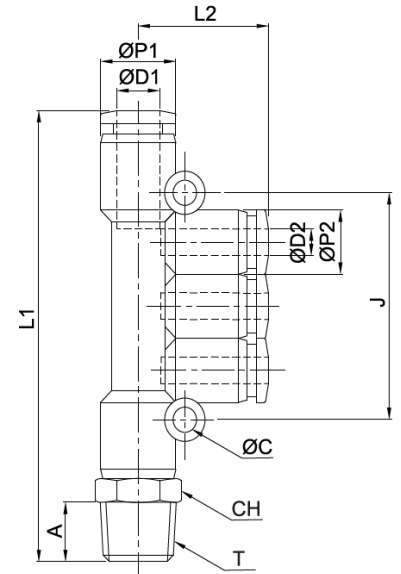
PU Polyurethane

PE Polyethylene

#### CONNECTION

BSPT & BSPP, metric tube

NPT, inch tube



CODE	ØD1	ØD2	T	ØP1	ØP2	ØC	A	L1	L2	J	CH	WEIGHT (GRAM)
<b>BSPT</b>												
SCT12-0604R18	6	4	R 1/8"	13	11,1	3,2	7	63,8	19	36	12	17,4
SCT12-0804R14	8	4	R 1/4"	15,1	11,1	3,2	9,5	71,3	20	42	14	23,1
SCT12-0806R14	8	6	R 1/4"	15,1	13	3,2	9,5	71,3	20,3	42	14	24,2
SCT12-1008R38	10	8	R 3/8"	18,8	15,1	4,2	10,5	91	24,3	48	17	40,2
<b>BSPP</b>												
SCT12-0604G18	6	4	G 1/8"	13,0	11,1	3,2	5	63,8	19	36	14	20,5
SCT12-0804G14	8	4	G 1/4"	15,1	11,1	3,2	5,8	69,6	20	42	17	26
SCT12-0806G14	8	6	G 1/4"	15,1	15,1	3,2	5,8	69,6	20,3	42	17	27
SCT12-1008G38	10	8	G 3/8"	18,8	15,1	4,2	6,8	89,3	24,3	48	20	44
<b>NPT</b>												
SCT12-14532N18	1/4	5/32	NPT 1/8"	13,0	11,1	3,2	7,5	64,3	19	36	12,7	17,4
SCT12-516532N14	5/16	5/32	NPT 1/4"	15,1	11,1	3,2	10,5	72,3	20	42	14,3	23,1
SCT12-516316N14	5/16	3/16	NPT 1/4"	15,1	13	3,2	10,5	72,3	20,3	42	14,3	23,9
SCT12-51614N14	5/16	1/4	NPT 1/4"	15,1	13	3,2	10,5	72,3	20,3	42	14,3	24,2
SCT12-38516N38	3/8	5/16	NPT 3/8"	18,8	15,1	4,2	11	93,3	24,3	48	17,4	40,2

# SCT12-

## MULTI SIDE-TEE, PUSH-IN

### TECHNICAL FEATURES

#### MATERIAL

Nickel-plated brass & BPT

#### PRESSURE

16 Bar

#### TEMPERATURE

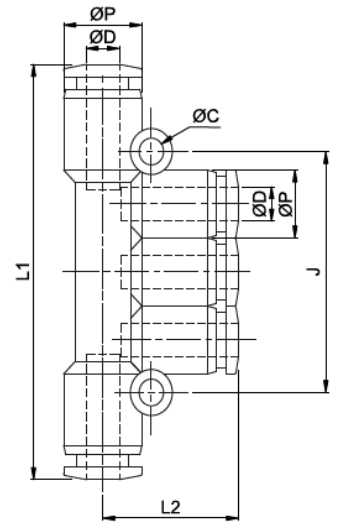
from -20°C to 80°C

#### SUITABLE TUBING

PA polyamide  
PU Polyurethane  
PE Polyethylene

#### CONNECTION

Metric or inch tube



CODE	ØD	ØP	ØC	L1	L2	J	WEIGHT (GRAM)
<b>METRIC</b>							
SCT12-0400	4	11,1	3,2	57	19	36	13
SCT12-0600	6	13	3,2	61,6	20,3	42	17
SCT12-0800	8	15,1	3,2	81,6	24,3	48	22
<b>INCH</b>							
SCT12-532	5/32	11,1	3,2	57	19	36	13
SCT12-316	3/16	13	3,2	57,6	19,3	36	16,5
SCT12-14	1/4	13	3,2	61,6	20,3	42	17
SCT12-516	5/16	15,1	3,2	81,6	24,3	48	22

# SCT12-

## MULTI SIDE-TEE REDUCED, PUSH-IN

### TECHNICAL FEATURES

#### MATERIAL

Nickel-plated brass & BPT

#### PRESSURE

16 Bar

#### TEMPERATURE

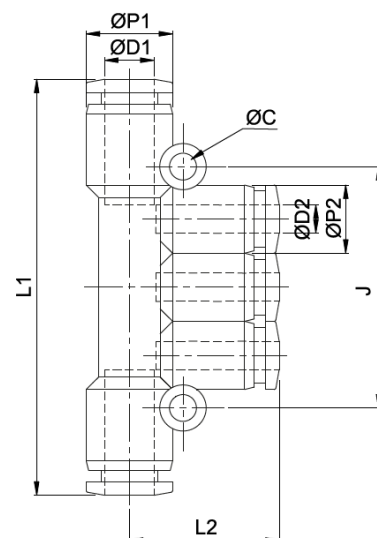
from -20°C to 80°C

#### SUITABLE TUBING

PA polyamide  
PU Polyurethane  
PE Polyethylene

#### CONNECTION

Metric or inch tube



CODE	ØD1	ØD2	ØP1	ØP2	ØC	L1	L2	J	WEIGHT (GRAM)
<b>METRIC</b>									
SCT12-0604	6	4	13	11,1	3,2	57,6	19	36	13
SCT12-0804	8	4	15,1	11,1	3,2	62,6	20	42	16
SCT12-0806	8	6	15,1	13	3,2	62,6	20,3	42	16,6
SCT12-1006	10	6	18,8	13	4,2	80	23,8	48	28
SCT12-1008	10	8	18,8	15,1	4,2	80	24,3	48	30,8
<b>INCH</b>									
SCT12-14532	1/4	5/32	13	11,1	3,2	57,6	19	36	13
SCT12-516532	5/16	5/32	15,1	11,1	3,2	62,6	20	42	16
SCT12-516-316	5/16	3/16	15,1	13	3,2	62,6	20,3	42	16,2
SCT12-51614	5/16	1/4	15,1	13	3,2	62,6	20,3	42	16,6
SCT12-3814	3/8	1/4	18,8	13	4,2	83,6	23,8	48	28
SCT12-38516	3/8	5/16	18,8	15,1	4,2	83,6	24,3	48	30,8

# SCT12S-

## MULTI SIDE-TEE WITH STEM REDUCED, PUSH-IN

### TECHNICAL FEATURES

#### MATERIAL

Nickel-plated brass & BPT

#### PRESSURE

16 Bar

#### TEMPERATURE

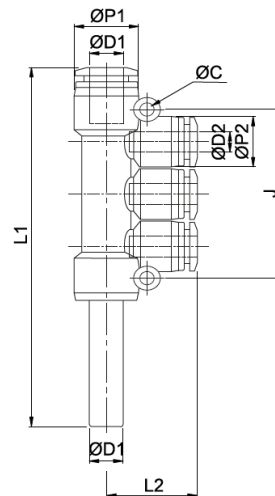
from -20°C to 80°C

#### SUITABLE TUBING

PA polyamide  
PU Polyurethane  
PE Polyethylene

#### CONNECTION

Metric or inch tube



CODE	ØD1	ØD2	ØP1	ØP2	ØC	L1	L2	J	WEIGHT (GRAM)
<b>METRIC</b>									
SCT12S-0604	6	4	13	11,1	3,2	73,5	19	36	4,2
SCT12S-0804	8	4	15,1	11,1	3,2	81,5	20	42	5,5
SCT12S-0806	8	6	15,1	13	3,2	81,5	20,3	42	7,3
SCT12S-1006	10	6	18,8	13	4,2	104,5	23,8	48	14,3
SCT12S-1008	10	8	18,8	15,1	4,2	105,9	24,3	48	18,2
<b>INCH</b>									
SCT12S-14532	1/4	5/32	13	11,1	3,2	73,5	19	36	4,2
SCT12S-516532	5/16	5/32	15,1	11,1	3,2	78	20	42	5,5
SCT12S-516316	5/16	3/16	15,1	13	3,2	78	20,3	42	6,7
SCT12S-51614	5/16	1/4	15,1	13	3,2	81,5	20,3	42	7,3
SCT12S-3814	3/8	1/4	18,8	13	4,2	101,7	23,8	48	14,3
SCT12S-38516	3/8	5/16	18,8	15,1	4,2	105,9	24,3	48	18,2

# SCT13- CROSS, PUSH-IN

## TECHNICAL FEATURES

### MATERIAL

Nickel-plated brass & BPT

### PRESSURE

16 Bar

### TEMPERATURE

from -20°C to 80°C

### SUITABLE TUBING

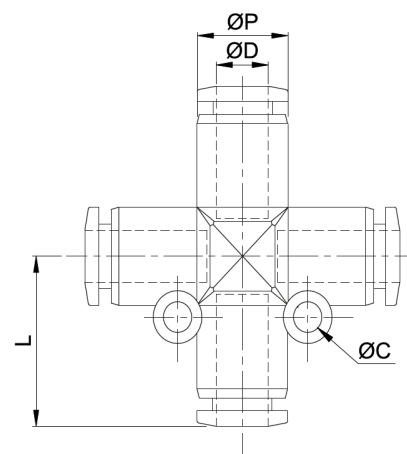
PA polyamide

PU Polyurethane

PE Polyethylene

### CONNECTION

Metric or inch tube



CODE	ØD	ØP	ØC	L1	WEIGHT (GRAM)
<b>METRIC</b>					
SCT13-0400	4	11,1	3,2	17,5	8
SCT13-0600	6	13	3,2	19,3	10,2
SCT13-0800	8	15,1	3,2	22,7	13,6
SCT13-1000	10	18,8	4,2	27	28,2
SCT13-1200	12	21,5	4,3	29,6	34,2
<b>INCH</b>					
SCT13-18	1/8	11,1	3,2	17,5	7,8
SCT13-532	5/32	11,1	3,2	17,5	8,0
SCT13-316	3/16	13,0	3,2	17,8	10,0
SCT13-14	1/4	13,0	3,2	19,3	10,2
SCT13-516	5/16	15,1	3,2	22,7	13,6
SCT13-38	3/8	18,8	4,2	27,0	28,2
SCT13-12	1/2	21,5	4,2	29,6	34,2

# SCT14- PLUG

## TECHNICAL FEATURES

### MATERIAL

Nickel-plated brass & BPT

### PRESSURE

16 Bar

### TEMPERATURE

from -20°C to 80°C

### SUITABLE TUBING

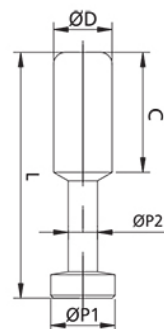
PA polyamide

PU Polyurethane

PE Polyethylene

### CONNECTION

Metric or inch tube



CODE	ØD	ØP1	ØP2	B	L	WEIGHT (GRAM)
------	----	-----	-----	---	---	---------------

### METRIC

SCT14-0400	4	5	3	15	28	0,4
SCT14-0600	6	7	3	17	33	0,8
SCT14-0700	7	8	3,5	18	37	1,1
SCT14-0800	8	9	4	18	37	1,3
SCT14-1000	10	11	5	20,5	42	2,2
SCT14-1200	12	13	6	23	44	3,1
SCT14-1400	14	15	7	24	45	5
SCT14-1600	16	15	8	24,5	46	7

### INCH

SCT14-18	1/8	4	2,5	14	27	0,2
SCT14-532	5/32	5	3	15	28	0,4
SCT14-316	3/16	5	3	15	28	0,7
SCT14-14	1/4	7	3	17	33	0,8
SCT14-516	5/16	9	4	18	37	1,3
SCT14-38	3/8	11	5	20,5	42	2,2
SCT14-12	1/2	13	6	23	44	3,1

# SCT14-F

## FEMALE PLUG

### TECHNICAL FEATURES

#### MATERIAL

Nickel-plated brass & BPT

#### PRESSURE

16 Bar

#### TEMPERATURE

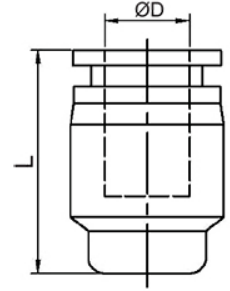
from -20°C to 80°C

#### SUITABLE TUBING

PA polyamide  
PU Polyurethane  
PE Polyethylene

#### CONNECTION

Metric or inch tube



CODE	ØD	L	WEIGHT (GRAM)
------	----	---	---------------

METRIC			
SCT14-F0400	4	17,5	2,6
SCT14-F0600	5	17,5	3,1
SCT14-F0600	6	17,5	3,7
SCT14-F0700	7	20,8	3,8
SCT14-F0800	8	20,8	4,2
SCT14-F1000	10	25,3	5,5
SCT14-F1200	12	25,6	9,3
SCT14-F1400	14	27	12,4
SCT14-F1600	16	27	17,1

**SKUPP**<sup>®</sup>  
Keep it simple