

SKUPP®

NICKEL PLATED BRASS FITTINGS



SCI SERIES

OUR STORY

In a market dominated by global players, SKUPP emerged from a clear need for change. The traditional supply chain in the industry, especially pneumatics and valve technology, had become increasingly complex, rigid, and inefficient. Distributors were confronted with shrinking margins, slow response times, and uncertain partnerships with established manufacturers. Smaller specialized production sites are also diminishing, which is bad for local business.

KEEP IT SIMPLE

SKUPP represents a more direct, transparent, and efficient approach. By maintaining substantial local inventories and providing full digital visibility into orders, stock levels, and product data, the supply chain becomes shorter and more reliable.

The result is a streamlined path from production to application — ensuring quality, speed, and accessibility in every connection.

Why choose SKUPP



Simplified Supply Chain
No unnecessary layers or delays

EU Stock Center
Large European stock enabling short delivery times



Standardized Product Range
A focused, consistent portfolio, to keep it simple

Clear Documentation
Clear data sheets and easy-to-learn product numbers



Predictable Partnerships
We aim for stable, long-term business relationships

Cost Efficiency
Competitive pricing while maintaining healthy margins



OUR RANGE

PNEUMATICS - CYLINDERS

Our cylinder range consists of the most-used cylinders in the industry, such as all common ISO standards. We also excel in helping customers with their demand for special cylinders, such as odd and extreme measurements, usage with (low-pressure) oil, or hollow rods. Is your example not listed? Challenge us!

PNEUMATICS - TUBING

Pneumatic tubing is available in various materials such as PA12, PA11, PU and PE to match application demands. Offered in many different colors and sizes, compatible with standard fittings.

PNEUMATICS - VALVES

Our valves for usage in pneumatic systems consist of the most commonly used versions, such as 3/2, 5/2, and 5/3 valves. Available as mechanically, manually, electrically, or pneumatically operated. Available in various port sizes, flow capacities, ISO standards and voltage options for pilot operation.

PNEUMATICS - FITTINGS

The range includes push-in fittings that can be divided into three categories based on the material used: plastic, nickel-plated brass, and stainless steel. The fittings are manufactured to precise tolerances to ensure leak-free connections within the rated pressure ranges. They are available in various thread standards (e.g., BSPP, BSPT, NPT) and shapes (straight, elbow, tee). Designed for easy installation with minimal leakage.

PROCESS VALVES

SKUPP offers, amongst others, solenoid valves and ball valves for process technology. Uniquely, we offer plastic clear water solenoid valves, a cost-effective solution for vending and water dispensers. In need of something more robust? Check out our electric ball valves, designed with a special 'floating seal' to reduce friction and prolong its lifetime. SKUPP ball valves are built for an expected lifetime of 70,000 to 100,000 cycles. and are field-proven to Available with a body made of brass, stainless steel, or PVC and a threaded connection up to G2".

SKUPP[®]
Keep it simple

TABLE OF CONTENTS

SCI01	Straight connector	Page 5
SCI02	female connector	Page 10
SCI03	Elbow	Page 11
SCI04	Female elbow	Page 17
SCI06	Banjo	Page 18
SCI08	Bulkhead	Page 21
SCI09	Tee-connector	Page 23
SCI11	Side tee-connector	Page 25
SCI14	Plug	Page 26
SCIF	Flow control valve	Page 27

SCI01-G

STRAIGHT CONNECTOR

TECHNICAL FEATURES

MATERIAL

Brass, nickel plated

PRESSURE

16 Bar

TEMPERATURE

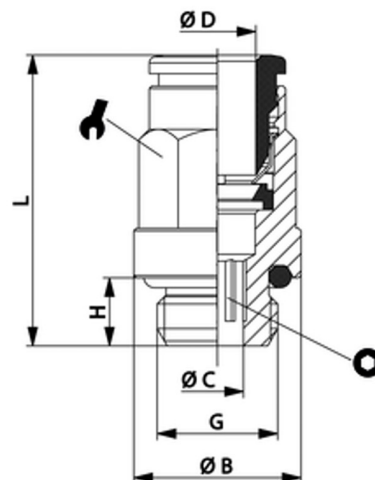
from -20°C to 80°C



SUITABLE TUBING

PA polyamide
PU Polyurethane

CONNECTION

BSPP, metric tube



CODE	ØD	G	ØB	ØC	H	L		
SCI01-04M5	4	M5	8	2,5	4	20,5	Ø9	2,5
SCI01-04M6		M6	9	2,6	7	23,5	Ø9	2,5
SCI01-04M7		M7	10,5	3	6	22,5	9	3
SCI01-04G18		G1/8	13,5	2,6	5,5	19,5	9	2,5
SCI01-04G14		G1/4	17	2,6	6,5	19,5	9	2,5
SCI01-06M5	6	M5	8	2,5	4	22,5	Ø11	2,5
SCI01-06M6		M6	9	2,6	5	23,5	Ø11	2,5
SCI01-06M7		M7	11	3,6	6	24,5	Ø11	3,5
SCI01-06G18		G1/8	13,5	4,2	5,5	23,5	11	4
SCI01-06G14		G1/4	17	4,2	6,5	22,5	11	4
SCI01-06G38	G3/8	20	4,2	9	25	13	4	
SCI01-08G18	8	G1/8	12,8	5,2	5,5	26,5	13	5
SCI01-08G14		G1/4	17	6,2	6,5	23,5	13	6
SCI01-08G38		G3/8	20	6,2	9	25	13	6
SCI01-08G12		G1/2	23	6,2	11	31,5	13	6
SCI01-10G18	10	G1/8	14	5,2	5,5	29	16	5
SCI01-10G14		G1/4	16	7,3	6,5	27,5	16	7
SCI01-10G38		G3/8	21	8,3	9	29,5	16	8
SCI01-10G12		G1/2	24	8,3	11	31	16	8
SCI01-12G14	12	G1/4	16	7,3	6,5	30	18	7
SCI01-12G38		G3/8	21	10,3	9	31,5	18	10
SCI01-12G12		G1/2	24	10,3	11	31,5	18	10
SCI01-14G38	14	G3/8	21	10,3	9	34,5	21	10
SCI01-14G12		G1/2	25	12,3	11	34,5	21	12

Also available with viton seal. Add -V when ordering, so SCI01-04G18 will be "SCI01-04G18-V"

SCI01-R

STRAIGHT CONNECTOR

TECHNICAL FEATURES

MATERIAL

Brass, nickel plated

PRESSURE

16 Bar

TEMPERATURE

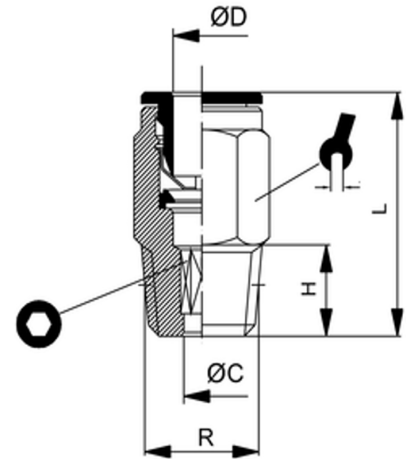
from -20°C to 80°C



SUITABLE TUBING

PA polyamide
PU Polyurethane

CONNECTION

BSPT thread



CODE	ØD	R	ØC	H	L		
SCI01-04R18	4	R1/8	2,6	8	22,5	10	2,5
SCI01-04R14		R1/4	2,6	11	22,5	14	2,5
SCI01-06R18	6	R1/8	4,2	7	24,5	11	4
SCI01-06R14		R1/4	4,2	11	24,5	14	4
SCI01-08R18	8	R1/8	5,2	7	27,5	13	5
SCI01-08R14		R1/4	5,2	11	27,5	13	5
SCI01-08R38		R3/8	5,2	11,5	28	17	5
SCI01-10R14	10	R1/4	7,3	11	32,5	16	7
SCI01-10R38		R3/8	8,3	11,5	32,5	17	8
SCI01-12R14	12	R1/4	7,3	11	32,5	17	8
SCI01-12R38		R3/8	8,3	11,5	30,5	17	8
SCI01-12R12		R1/2	10,3	14	33	22	10
SCI01-14R38	14	R3/8	8,2	12	34	20	8
SCI01-14R12		R1/2	10,3	14	33	22	10

Also available with viton seal. Add -V when ordering, so SCI01-04G18 will be "SCI01-04G18-V"

SCI01- PUSH-IN CONNECTOR

TECHNICAL FEATURES

MATERIAL

Brass, nickel plated

PRESSURE

16 Bar

TEMPERATURE

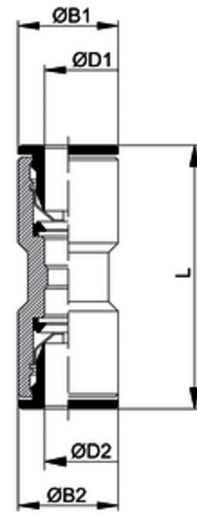
from -20°C to 80°C

SUITABLE TUBING

PA polyamide
PU Polyurethane

CONNECTION

Metric



CODE	ØD1	ØD2	ØB1	ØB2	L
SCI01-0400	4	4	9	9	31
SCI01-0500	5	5	9,5	9,5	33
SCI01-0600	6	6	11	11	34
SCI01-0800	8	8	13	13	38
SCI01-1000	10	10	15	15	39
SCI01-1200	12	12	17	17	43,5
SCI01-1400	14	14	20	20	48

REDUCED

SCI01-0604	6	4	11	9	34
SCI01-0806	8	6	13	11	39
SCI01-1008	10	8	15	13	40
SCI01-1210	12	10	17	15	43
SCI01-1412	14	12	20	17	48

Also available with viton seal. Add -V when ordering, so SCI01-04G18 will be "SCI01-04G18-V"

SCI01S-G

THREADED STEM CONNECTOR

TECHNICAL FEATURES

MATERIAL

Brass, nickel plated

PRESSURE

16 Bar

TEMPERATURE

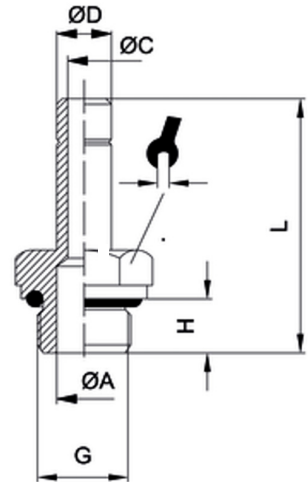
from -20°C to 80°C

SUITABLE TUBING

PA polyamide
PU Polyurethane

CONNECTION

Metric



CODE	ØD	G	ØC	ØA	H	L	
SCI01S-04G18	4	G1/8	2	6	5,5	28	13
SCI01S-04G14		G1/4	2	7,5	8	30	13
SCI01S-06G18	6	G1/8	4	6	5,5	29	13
SCI01S-06G14		G1/4	4	7,5	6,5	30,5	13
SCI01S-08G18	8	G1/8	6	6	5,5	30,5	13
SCI01S-08G14		G1/4	6	7,5	6,5	32	13
SCI01S-08G38		G3/8	6	9	9	35,5	13
SCI01S-10G18	10	G1/8	6	6	6	35,5	13
SCI01S-10G14		G1/4	8	8	8	38	13
SCI01S-10G38		G3/8	8	11	9	41	13
SCI01S-12G14	12	G1/4	8	8	8	39	13
SCI01S-12G38		G3/8	10	11	9	42	13
SCI01S-12G12		G1/2	10	13	11	44	16
SCI01S-14G38	14	G3/8	12	12	9	44,5	16
SCI01S-14G12		G1/2	12	13	11	46,5	16

Also available with viton seal. Add -V when ordering, so SCI01-04G18 will be "SCI01-04G18-V"

SCI01S- STEM CONNECTOR

TECHNICAL FEATURES

MATERIAL

Brass, nickel plated

PRESSURE

16 Bar

TEMPERATURE

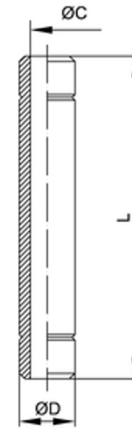
from -20°C to 80°C

SUITABLE TUBING

PA polyamide
PU Polyurethane

CONNECTION

Metric



CODE	ØD	ØB	L
SCI01S-0400	4	2	35
SCI01S-0500	5	3	33
SCI01S-0600	6	4	36,5
SCI01S-0800	8	6	40
SCI01S-1000	10	8	45,5
SCI01S-1200	12	10	48
SCI01S-1400	14	12	53

Also available with viton seal. Add -V when ordering, so SCI01-04G18 will be "SCI01-04G18-V"

SCI02-G

FEMALE THREADED PUSH-IN CONNECTOR

TECHNICAL FEATURES

MATERIAL

Brass, nickel plated

PRESSURE

16 Bar

TEMPERATURE

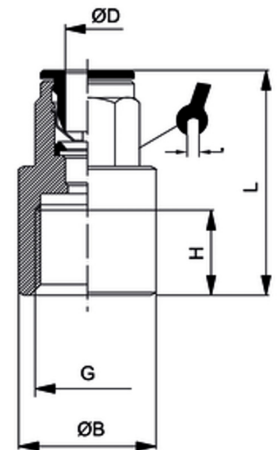
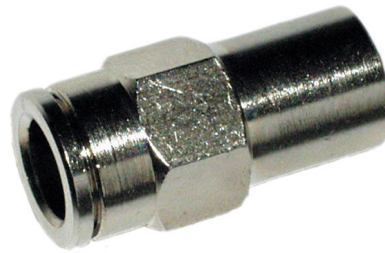
from -20°C to 80°C


SUITABLE TUBING

PA polyamide
PU Polyurethane

CONNECTION

BSPF



CODE	ØD	T	ØP	A	L1	
SCI02-04G18	4	G1/8	12	6,5	26,5	9
SCI02-04G14		G1/4	16	10	29,5	9
SCI02-06G18	6	G1/8	12	6,5	27	11
SCI02-06G14		G1/4	16	10	31	11
SCI02-08G18	8	G1/8	12	6,5	28	13
SCI02-08G14		G1/4	16	10	32	13
SCI02-10G14	10	G1/4	16	10	32	16
SCI02-10G38		G3/8	20	13	37,5	20
SCI02-12G14	12	G1/4	20	13	40	20
SCI02-12G38		G3/8	20	13	40	20
SCI02-14G14	14	G1/4	20	10	37,7	20

Also available with viton seal. Add -V when ordering, so SCI01-04G18 will be "SCI01-04G18-V"

SCI03-G

ELBOW CONNECTOR

TECHNICAL FEATURES

MATERIAL

Brass, nickel plated

PRESSURE

16 Bar

TEMPERATURE

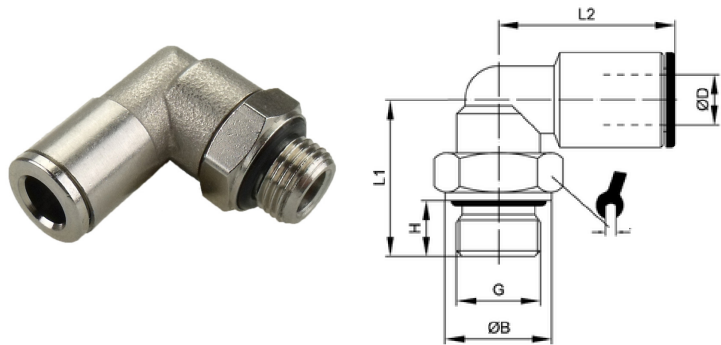
from -20°C to 80°C


SUITABLE TUBING

PA polyamide
PU Polyurethane

CONNECTION

BSPF, metric tube



CODE	ØD	G	ØB	H	L1	L2	
SCI03-04M5	4	M5	8	4	14,5	18	9
SCI03-04M6		M6	9	5	16	18	9
SCI03-04M7		M7	10	6	17	18	9
SCI03-04G18		G1/8	13	5,5	19,5	20	13
SCI03-04G14		G1/4	16	6,5	22,5	20	13
SCI03-06M5	6	M5	8	4	15	21	9
SCI03-06M6		M6	9	5	16	21	9
SCI03-06M7		M7	10	6	17	21	9
SCI03-06M12		M12x1,5	16	8	24	21,5	13
SCI03-06G18		G1/8	13	5,5	19,5	21,5	13
SCI03-06G14	G1/4	16	6,5	23	23,5	13	
SCI03-08M12	8	M12x1,5	16	8	24,8	23,5	13
SCI03-08G18		G1/8	13	5,5	20	23,5	13
SCI03-08G14		G1/4	16	6,5	23	23,5	13
SCI03-08G38		G3/8	20	9	26	23,5	13
SCI03-10G14	10	G1/4	16	6,5	22,5	26,5	16
SCI03-10G38		G3/8	20	9	28	26,5	16
SCI03-10G12		G1/2	25	11	30	26,5	16
SCI03-12G14	12	G1/4	16	6,5	29	29	16
SCI03-12G38		G3/8	20	9	28,5	29	20
SCI03-12G12		G1/2	25	11	33,5	29	20
SCI03-14G38	14	G3/8	20	9	28,5	32	20
SCI03-14G12		G1/2	25	11	33,5	32	20

Also available with viton seal. Add -V when ordering, so SCI01-04G18 will be "SCI01-04G18-V"

SCI03-RT

ELBOW CONNECTOR, CONICAL

TECHNICAL FEATURES

MATERIAL

Brass, nickel plated

PRESSURE

16 Bar

TEMPERATURE

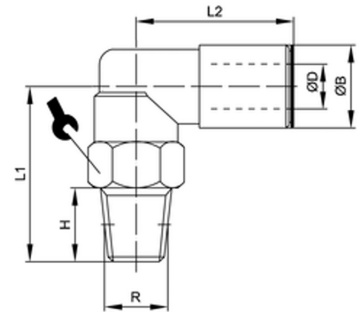
from -20°C to 80°C


SUITABLE TUBING

PA polyamide
PU Polyurethane

CONNECTION

BSPT, metric tube



CODE	ØD	G	H	L1	L2	
SCI03-04R18T	4	R1/8	8	16,5	18,5	10
SCI03-06R18T	6	R1/8	8	16,5	22,5	10
SCI03-06R14T	8	R1/4	11,5	22,5	24	12
SCI03-08R18T		R1/8	10	18,5	25	11
SCI03-08R14T	10	R1/4	12	22,5	25	11
SCI03-10R14T		R1/4	12	22	25	14

Also available with viton seal. Add -V when ordering, so SCI01-04G18 will be "SCI01-04G18-V"

SCI03-R

SWIFEL ELBOW CONNECTOR, CONICAL

TECHNICAL FEATURES

MATERIAL

Brass, nickel plated

PRESSURE

16 Bar

TEMPERATURE

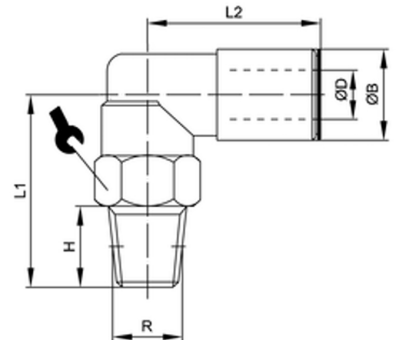
from -20°C to 80°C


SUITABLE TUBING

PA polyamide
PU Polyurethane

CONNECTION

BSPT, metric tube



CODE	ØD	G	H	L1	L2	
SCI03-04R18	4	R1/8	7	20	20	13
SCI03-04R14		R1/4	11	25	20	14
SCI03-06R18	6	R1/8	7	20	21,5	13
SCI03-06R14		R1/4	11	25	21,5	14
SCI03-08R18	8	R1/8	7	20,5	24	13
SCI03-08R14		R1/A4	11	25,5	24	14
SCI03-08R48		R3/8	11	28,5	24	18
SCI03-10R14	10	R1/4	11	26	27	16
SCI03-10R38		R3/8	11	30	27	18
SCI03-12R38	12	R3/8	11	32,5	29	20
SCI03-12R12		R1/2	14	35,5	29	22

Also available with viton seal. Add -V when ordering, so SCI01-04G18 will be "SCI01-04G18-V"

SCIO3-G LONG

LONG SWIFEL ELBOW, MALE, BSPP

TECHNICAL FEATURES

MATERIAL

Brass, nickel plated

PRESSURE

16 Bar

TEMPERATURE

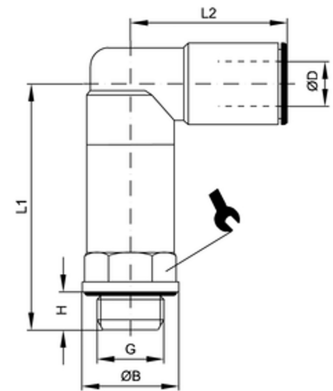
from -20°C to 80°C


SUITABLE TUBING

PA polyamide
PU Polyurethane

CONNECTION

BSPP



CODE	ØD	G	ØB	H	L1	L2	
SCIO3-L04G18	4	G1/8	13	5,5	32,5	20	13
SCIO3-L04G14		G1/4	16	6,5	36,5	20	13
SCIO3-L06G18	6	G1/8	13	6	33	21,5	13
SCIO3-L06G14		G1/4	16	6,5	36,5	21,5	13
SCIO3-L08G38	8	G1/8	13	6	33	23,5	13
SCIO3-L08G14		G1/4	16	6,5	37	23,5	13
SCIO3-L08G38		G3/8	20	9	34,5	23,5	16
SCIO3-L10G14	10	G1/4	16	6,5	37	26,5	16
SCIO3-L10G38		G3/8	20	9	38	26,5	16
SCIO3-L10G14		G1/4	16	6,5	37	26,5	16
SCIO3-L10G38		G3/8	20	9	38	26,5	16

Also available with viton seal. Add -V when ordering, so SCIO1-04G18 will be "SCIO1-04G18-V"

SCI03- ELBOW, PUSH-IN

TECHNICAL FEATURES

MATERIAL

Brass, nickel plated

PRESSURE

16 Bar

TEMPERATURE

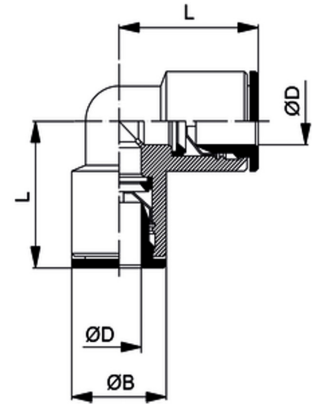
from -20°C to 80°C

SUITABLE TUBING

PA polyamide
PU Polyurethane

CONNECTION

Metric



CODE	ØD	ØB	L
SCI03-0400	4	9	17,5
SCI03-0500	5	9,5	19
SCI03-0600	6	11	20
SCI03-0800	8	13	23
SCI03-1000	10	15	25
SCI03-1200	12	17	27,5
SCI03-1400	14	20	31

Also available with viton seal. Add -V when ordering, so SCI01-04G18 will be "SCI01-04G18-V"

SCI03S-

ELBOW WITH STEM, PUSH-IN

TECHNICAL FEATURES

MATERIAL

Brass, nickel plated

PRESSURE

16 Bar

TEMPERATURE

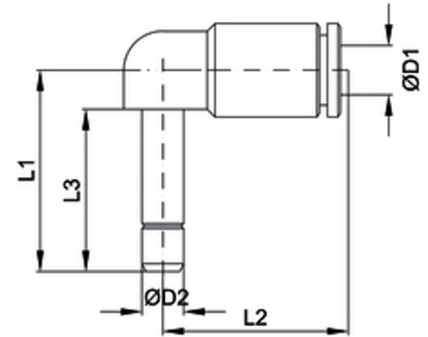
from -20°C to 80°C

SUITABLE TUBING

PA polyamide
PU Polyurethane

CONNECTION

Metric or inch tube



CODE	ØD1	ØD2	L1	L2	L3
SCI03S-0400	4	4	20	17,5	16
SCI03S-0600	6	6	26,5	19,5	18
SCI03S-0800	8	8	31	23	19,5
SCI03S-1000	10	10	35,5	24	24
SCI03S-1200	12	12	41	27	25
SCI03S-0406	4	6	29	20	18
SCI03S-0608	6	8	30,5	21,5	19,5

Also available with viton seal. Add -V when ordering, so SCI01-04G18 will be "SCI01-04G18-V"

SCI04-G

FEMALE ELBOW, BSPP

TECHNICAL FEATURES

MATERIAL

Brass, nickel plated

PRESSURE

16 Bar

TEMPERATURE

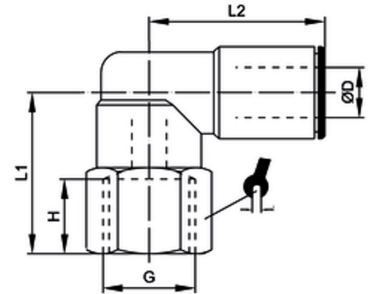
from -20°C to 80°C


SUITABLE TUBING

PA polyamide
PU Polyurethane

CONNECTION

BSPP, metric tube



CODE	D	G	H	L1	L2	
SCI04-04G18	4	G1/8	8	18	20	13
SCI04-04G14		G1/4	11	22	20	16
SCI04-06G18	6	G1/8	8	18	21,5	13
SCI04-06G14		G1/4	11	22	21,5	16
SCI04-06G38	8	G1/8	8	18,5	23,5	13
SCI04-08G18		G1/4	11	22,5	23,5	16
SCI04-08G14	10	G1/4	9	24	26,5	16

Also available with viton seal. Add -V when ordering, so SCI01-04G18 will be "SCI01-04G18-V"

SCI06-G

BANJO ELBOW, MALE, BSPP

TECHNICAL FEATURES

MATERIAL

Brass, nickel plated

PRESSURE

16 Bar

TEMPERATURE

from -20°C to 80°C

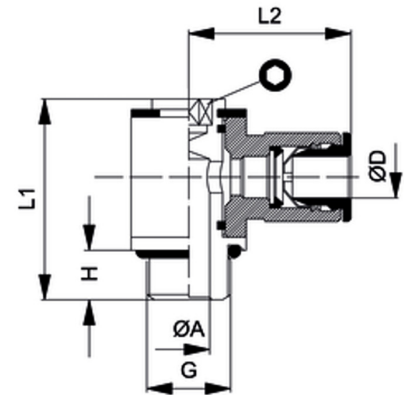
SUITABLE TUBING

PA polyamide

PU Polyurethane

CONNECTION

BSPP, metric tube



CODE	ØD	G	ØB	H	L1	L2	SW
SCI06-03M3	3	M3	7	2	12,5	12,5	ISW2
SCI06-04M5	4	M5	SW9	3	17,5	18,5	8
SCI06-04M6		M6	SW9	7	22	19,5	9
SCI06-04G18		G1/8	14	5,5	28	21	14
SCI06-05M5	5	M5	SW9	3	17,5	19,5	9
SCI06-05G18		G1/8	14	5,5	28	22,5	14
SCI06-06M5	6	M5	SW9	3	19,5	19,5	8
SCI06-06G18		G1/8	14	5,5	28	23	14
SCI06-06G14		G1/4	18	7	33	24	17
SCI06-08G18	8	G1/8	14	5,5	28	24,5	14
SCI06-08G14		G1/4	18	7	33	26	17
SCI06-08G38		G3/8	21	7,5	36	27,5	19
SCI06-10G14	10	G1/4	18	7	33	27	17
SCI06-10G38		G3/8	21	7,5	36	28,5	19
SCI06-12G14	12	G1/4	18	7	33	28,5	17
SCI06-12G38		G3/8	21	7,5	36	29,5	19

Also available with viton seal. Add -V when ordering, so SCI01-04G18 will be "SCI01-04G18-V"

SCI06-2

MULTI BANJO, TWOFOLD, MALE

TECHNICAL FEATURES

MATERIAL

Brass, nickel plated

PRESSURE

16 Bar

TEMPERATURE

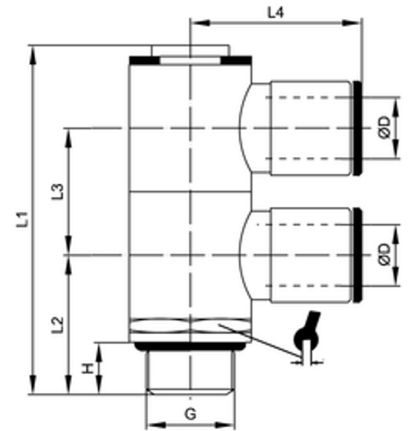
from -20°C to 80°C


SUITABLE TUBING

PA polyamide
PU Polyurethane
PE Polyethylene

CONNECTION

BSPP, metric tube



CODE	ØD	G	H	L1	L2	L3	L4	
SCI06-2-04G18	4	G1/8	6	44	19	15	21	14
SCI06-2-06G18	6	G1/8	6	44	19	15	23	14
SCI06-2-06G14		G1/4	8	50	22,5	17	24	17
SCI06-2-08G18	8	G1/8	6	44	19	15	24,5	14
SCI06-2-08G14		G1/4	8	50	22,5	17	26	17
SCI06-2-10G14	10	G1/4	8	50	22,5	17	27	17
SCI06-2-12G14	12	G1/4	8	50	22,5	17	29	17

Also available with viton seal. Add -V when ordering, so SCI01-04G18 will be "SCI01-04G18-V"

SCI06-3

MULTI BANJO, THREEFOLD, MALE

TECHNICAL FEATURES

MATERIAL

Brass, nickel plated

PRESSURE

16 Bar

TEMPERATURE

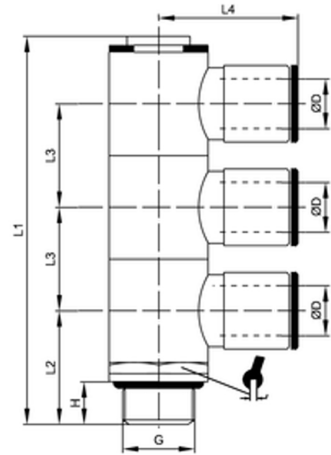
from -20°C to 80°C


SUITABLE TUBING

PA polyamide
PU Polyurethane
PE Polyethylene

CONNECTION

BSPF, metric tube



CODE	ØD	G	H	L1	L2	L3	L4	
SCI06-3-04G18	4	G1/8	6	59	19	15	21	14
SCI06-3-06G18	6	G1/8	6	59	19	15	23	14
SCI06-3-06G14		G1/4	8	67	22	17	24	17
SCI06-3-08G18	8	G1/8	6	59	19	15	24,5	14
SCI06-3-08G14		G1/4	8	67	22	17	26	17
SCI06-3-10G14	10	G1/4	8	67	22	17	27	17
SCI06-3-12G14	12	G1/4	8	67	22	17	28,5	17

Also available with viton seal. Add -V when ordering, so SCI01-04G18 will be "SCI01-04G18-V"

SCI08- PUSH-IN, BULKHEAD

TECHNICAL FEATURES

MATERIAL

Brass, nickel plated

PRESSURE

16 Bar

TEMPERATURE

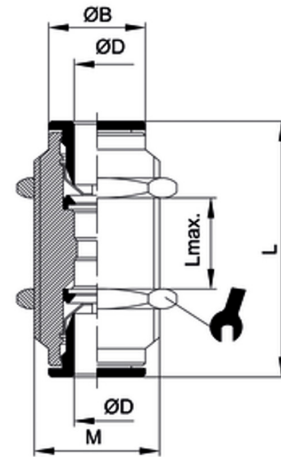
from -20°C to 80°C

SUITABLE TUBING

PA polyamide
PU Polyurethane

CONNECTION

Metric



CODE	ØD	M	ØB	L MAX.	L	
SCI08-0400	4	M10x1	9	15	32	13
SCI08-0500	5	M11x1	9,5	14	33	14
SCI08-0600	6	M14x1	11	11	33,5	17
SCI08-0800	8	M16x1	13	16	37	18
SCI08-1000	10	M17x1	15	19	39,5	20
SCI08-1200	12	M20x1	17	17	42	24
SCI08-1400	14	M22x1	20	21	46,5	25
SCI08-1600	16	M28x1,5	23	22	50	36

Also available with viton seal. Add -V when ordering, so SCI01-04G18 will be "SCI01-04G18-V"

SCI08-G

FEMALE, BULKHEAD, BSPP

TECHNICAL FEATURES

MATERIAL

Brass, nickel plated

PRESSURE

16 Bar

TEMPERATURE

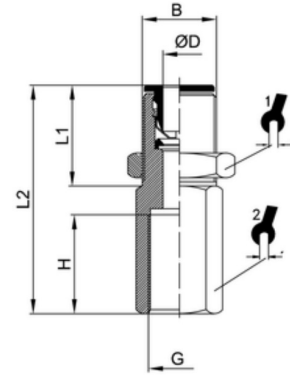
from -20°C to 80°C

SUITABLE TUBING

PA polyamide
PU Polyurethane

CONNECTION

BSPP, metric tube



CODE	ØD	G	B	H	L1	L2	1	2
SCI08-04G18	4	G1/8	M10x1	6,5	15	25	13	15
SCI08-06G18	6	G1/8	M14x1	6,5	15,5	26,5	17	17
SCI08-06G14		G1/4	M14x1	10	15,5	31	17	17
SCI08-08G18	8	G1/8	M16x1	6,5	21,5	28,5	19	17
SCI08-08G14		G1/4	M16x1	10	15,5	33	19	17

Also available with viton seal. Add -V when ordering, so SCI01-04G18 will be "SCI01-04G18-V"

SCI09-G

CENTRAL-TEE SWIVEL, MALE, BSPP

TECHNICAL FEATURES

MATERIAL

Brass, nickel plated

PRESSURE

16 Bar

TEMPERATURE

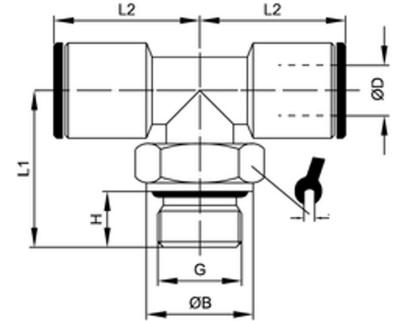
from -20°C to 80°C


SUITABLE TUBING

PA polyamide
PU Polyurethane

CONNECTION

BSPP



CODE	ØD	G	ØB	H	L1	L2	
SCI09-04M5	4	M5	8	4	16,5	19	9
SCI09-04G18		G1/8	13	6	20	20	13
SCI09-04G14		G1/4	16	6,5	22,5	20	13
SCI09-06M5	6	M5	8	4	17	21,5	9
SCI09-06G18		G1/8	13	6	20	21,5	13
SCI09-06G14		G1/4	16	6,5	22,5	21,5	13
SCI09-08G18	8	G1/8	13	6	20	23,5	13
SCI09-08G14		G1/4	16	6,5	22,5	23,5	13
SCI09-08G38		G3/8	20	9	25,5	23,5	13
SCI09-10G18	10	G1/8	13	5,5	23,5	26,5	13
SCI09-10G14		G1/4	16	6,5	23	26,5	16
SCI09-10G38		G3/8	20	9	28	26,5	16
SCI09-12G14	12	G1/4	16	8	30,5	29	16
SCI09-12G38		G3/8	20	9	28,5	29	20
SCI09-12G12		G1/2	25	11	30	28,5	20
SCI09-14G38	14	G3/8	20	9	28,5	32	20
SCI09-14G12		G1/2	25	11	33,5	32	20

Also available with viton seal. Add -V when ordering, so SCI01-04G18 will be "SCI01-04G18-V"

SCI09- TEE, PUSH-IN

TECHNICAL FEATURES

MATERIAL

Brass, nickel plated

PRESSURE

16 Bar

TEMPERATURE

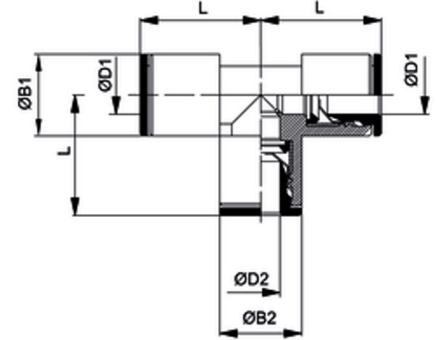
from -20°C to 80°C

SUITABLE TUBING

PA polyamide
PU Polyurethane

CONNECTION

Metric



CODE	ØD1	ØD2	ØB1	ØB2	L
SCI09-0300	3	3	6,5	6,5	11,5
SCI09-0400	4	4	9	9	18
SCI09-0500	5	5	9,5	9,5	19
SCI09-0600	6	6	11	11	19,5
SCI09-0800	8	8	13	13	22,5
SCI09-1000	10	10	15	15	25
SCI09-1200	12	12	17	17	27
SCI09-1400	14	14	20	20	31
SCI09-1600	16	16	23	23	36
SCI09-0604	6	4	11	9	19,5
SCI09-0806	8	6	13	11	22,5
SCI09-1008	10	8	15	13	25

Also available with viton seal. Add -V when ordering, so SCI01-04G18 will be "SCI01-04G18-V"

SCI11-G

SWIFEL SIDE-TEE MALE, BSPP

TECHNICAL FEATURES

MATERIAL

Brass, nickel plated

PRESSURE

16 Bar

TEMPERATURE

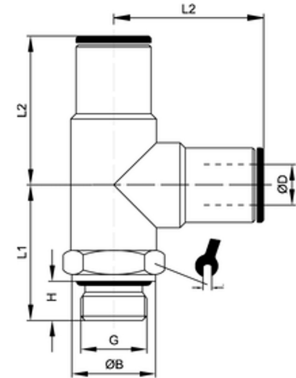
from -20°C to 80°C

SUITABLE TUBING

PA polyamide
PU Polyurethane

CONNECTION

BSPP, metric tube



CODE	ØD	G	ØB	H	L1	L2	SW
SCI11-04M5	4	M5	8	4	16,5	19	9
SCI11-04G18		G1/8	13	5,5	19,5	20,5	13
SCI11-04G14		G1/4	16	6,5	22,5	20,5	13
SCI11-06G18	6	G1/8	13	6	19,5	21,5	13
SCI11-06G14		G1/4	16	6,5	22,5	21,5	13
SCI11-08G18	8	G1/8	13	6	19,5	23,5	13
SCI11-08G14		G1/4	16	6,5	22,5	23,5	13
SCI11-08G38		G3/8	20	9	25,5	23,5	13
SCI11-10G18	10	G1/8	13	5,5	23,5	26,5	13
SCI11-10G14		G1/4	16	6,5	23	26,5	16
SCI11-10G38		G3/8	20	9	28	27	16
SCI11-12G14	12	G1/4	16	8	23	29	16
SCI11-12G38		G3/8	20	9	28	29	16
SCI11-12G12		G1/2	25	11	30	28,5	20
SCI11-14G38	14	G3/8	20	9	28,5	32	20
SCI11-14G12		G1/2	25	11	33	33	20

Also available with viton seal. Add -V when ordering, so SCI11-04G18 will be "SCI11-04G18-V"

SCI14- PLUG

TECHNICAL FEATURES

MATERIAL

Brass, nickel plated

PRESSURE

16 Bar

TEMPERATURE

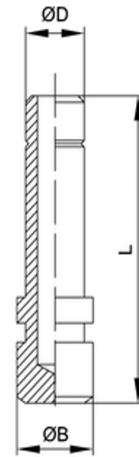
from -20°C to 80°C

SUITABLE TUBING

PA polyamide
PU Polyurethane

CONNECTION

Metric



CODE	ØD	ØB	L
SCI014S-0400	4	5	25,5
SCI014S-0600	6	7	27,5
SCI014S-0800	8	9	30
SCI014S-1000	10	11	35
SCI014S-1200	12	13	37
SCI014S-1400	14	15	39,5

Also available with viton seal. Add -V when ordering, so SCI01-04G18 will be "SCI01-04G18-V"

SCIF-A

Flow control valve type A

TECHNICAL FEATURES

MATERIAL

Brass, nickel plated

PRESSURE

16 Bar

TEMPERATURE

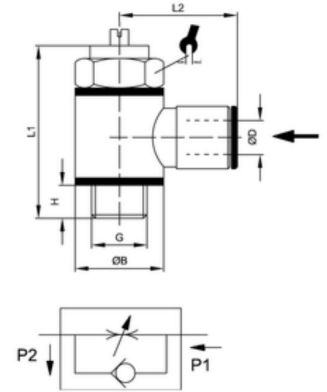
from -20°C to 80°C


SUITABLE TUBING

PA polyamide
PU Polyurethane

CONNECTION

Type A (for valves)



CODE	ØD	G	H	ØB	L1 MAX	L2		NL/MIN*
SCIF-A04M5	4	M5	4	SW9	25,5	20	8	45
SCIF-A04G18		G1/8	5	14	32	21	14	310
SCIF-A05G18	5	G1/8	5	14	32	22,5	14	310
SCIF-A06M5	6	M5	4	SW9	25,5	21,5	8	45
SCIF-A06G18		G1/8	5	14	32	23	14	390
SCIF-A06G14		G1/4	6	18	37	24	17	710
SCIF-A08G18	8	G1/8	5	14	32	24,5	14	390
SCIF-A08G14		G1/4	6	18	37	26	17	810
SCIF-A08G38		G3/8	6,5	21	46	27,5	20	1050
SCIF-A10G14	10	G1/4	6	18	37	27	17	810
SCIF-A10G38		G3/8	6,5	21	46	28,5	20	1050
SCIF-A12G14	12	G1/4	6	18	37	28,5	17	810
SCIF-A12G38		G3/8	6,5	21	46	29,5	20	1050

SCIF-AH

Flow control valve type A with handwheel

TECHNICAL FEATURES

MATERIAL

Brass, nickel plated

PRESSURE

16 Bar

TEMPERATURE

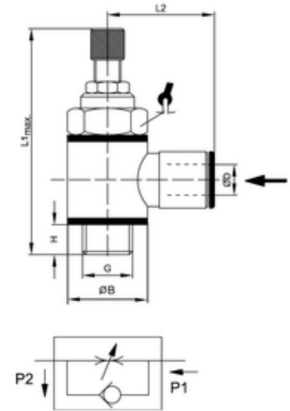
from -20°C to 80°C


SUITABLE TUBING

PA polyamide
PU Polyurethane

APPLICATION

Type A (for valves)



CODE	ØD	G	H	ØB	L1	L2		NL/MIN *
SCIF-AH04G18	4	G1/8	5,5	14	49	21	14	340
SCIF-AH06G18	6	G1/8	5	14	49	23	14	340
SCIF-AH06G14		G1/4	6	18	56,5	24	17	580
SCIF-AH08G18	8	G1/8	5	14	49	24,5	14	340
SCIF-AH08G14		G1/4	6	18	56,5	26	17	580
SCIF-AH10G14	10	G1/4	6	18	56,5	27	17	580
SCIF-AH12G14	12	G1/4	6	18	56,5	28	17	580

SCIF-B

Flow control valve type B

TECHNICAL FEATURES

MATERIAL

Brass, nickel plated

PRESSURE

16 Bar

TEMPERATURE

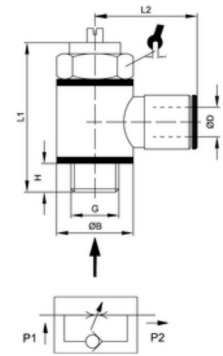
from -20°C to 80°C


SUITABLE TUBING

PA polyamide
PU Polyurethane

APPLICATION

For cylinders



CODE	ØD	G	H	ØB	L1	L2		NL/MIN *
SCIF-B04M5	4	M5	4	SW9	25,5	20	8	45
SCIF-B04G18		G1/8	5	14	32	21	14	310
SCIF-B05G18	5	G1/8	5	14	32	22,5	14	310
SCIF-B06M5	6	M5	4	SW9	25,5	21,5	8	45
SCIF-B06G18		G1/8	5	14	32	23	14	390
SCIF-B06G14		G1/4	6	18	37	24	17	710
SCIF-B08G18	8	G1/8	5	14	32	24,5	14	390
SCIF-B08G14		G1/4	6	18	37	26	17	810
SCIF-B08G38		G3/8	6,5	21	46	27,5	20	1050
SCIF-B10G14	10	G1/4	6	18	37	27	17	810
SCIF-B10G38		G3/8	6,5	21	46	28,5	20	1050
SCIF-B12G14	12	G1/4	6	18	37	28,5	17	810
SCIF-B12G38		G3/8	6,5	21	46	29,5	20	1050

SCIF-BH

Flow control valve type B with handwheel

TECHNICAL FEATURES

MATERIAL

Brass, nickel plated

PRESSURE

16 Bar

TEMPERATURE

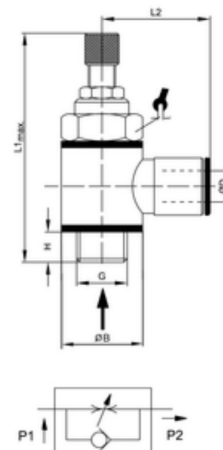
from -20°C to 80°C


SUITABLE TUBING

PA polyamide
PU Polyurethane

CONNECTION

Type B (for cylinders)



CODE	ØD	G	H	ØB	L1 MAX	L2		NL/MIN *
SCIF-BH04G18	4	G1/8	5	14	49	20,5	14	340
SCIF-BH06G18	6	G1/8	5	14	49	23	14	340
SCIF-BH06G14		G1/4	6	18	56,5	24	17	580
SCIF-BH08G18	8	G1/8	5	14	49	24,5	14	340
SCIF-BH08G14		G1/4	6	18	56,5	26	17	580
SCIF-BH08G38		G3/8	7,5	21	63	27,5	20	720
SCIF-BH10G14	10	G1/4	6	18	56,5	27	17	580
SCIF-BH10G38		G3/8	7,5	21	63	28,5	20	720
SCIF-BH10G14	12	G1/4	6	18	56,5	28	17	580



SKUPP[®]
Keep it simple