

Clear Water Solenoid Valve - Push-in

CWS 8 - made in Holland

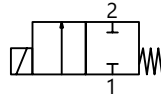


This Solenoid valves serie is High Quality. This NC valve, single type is an indirect acting electromagnetic valve. Unique industrial shape with the "low water hammer construction" makes this valve unique for clear water installations. Used materials and checks ensure maximal reliability and lifetime.

Quick push-in (twice) mounting with double o-ring and mounting with DIN-rail clips are very unique. Economical, faster installation and therefore cheaper. Design your own valve, send your inquiry.



Anti water hammering
cert. EN 60730-2-8
Par. 18.101.3.3

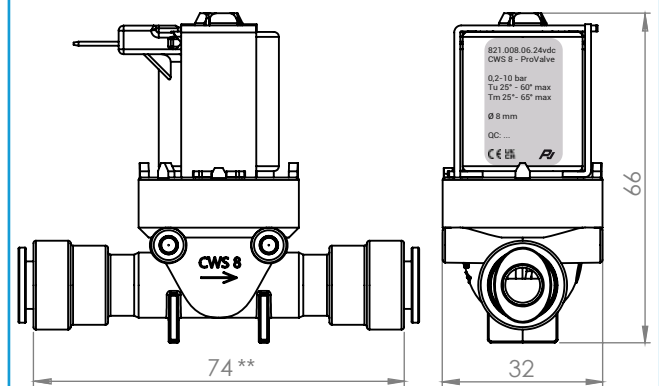


Specifications

Operating Range	0,2 ~ 10 bar / 7 bar*	
Temp. medium ambient	65°C 3/5min 25°C 100%	60°C max. 60°C max.
Coil (faston)	12Vdc 7W	
Class F 155°C IP00	24Vdc 8W	
	24Vac 3,2W	
	230Vac 6VA	
Function	Normally closed (NC)	
Orifice Flow indication	9 mm 5 - 8 L/min	
Optional	Flow regulator art. nr. MR05*	

* only for 10 mm push in

connection: 8 mm / 6mm / 1/4"



* PT Screw connection for plastic body
** 10 mm push in length: 78 mm

Code (without coil)	Connection	Tube	Body ISO 1043	Seal	Model no
821.006.06	Push-in 6mm	PE / PU Food	PA66-GF30 (Food)	EPDM (Food)	006
821.014.06	Push-in 6.1mm~1/4 inch	+0.1 / -0,05	PA66-GF30 (Food)	EPDM (Food)	014
821.008.06	Push-in 8mm~5/16 inch		PA66-GF30 (Food)	EPDM (Food)	008
821.010.06	Push-in 10mm		PA66-GF30 (Food)	EPDM (Food)	010

Technical data



12Vdc | 7W



24Vdc | 8W



24Vac | 3.2W



230Vac | 6VA

Fast mounting system:



Unique DIN rail mounting bracket

Only use PT Screw for plastic*
Size: 3.5 x 8mm

Certification materials:

RoHS and EC 1907/2006 (REACH) UL listed product
ACS DGSNS 4 n° 2000-232 DVGWW270
NSF STD-61 KTW guidelines
WRAS BS6920-1

